

*Whether you require  
general lighting, accent lighting,  
task lighting or emergency lighting,  
AtLite has the perfect product  
for your application.*

**AtLite<sup>®</sup>**

AtLite is an IBEW AFL LOCAL 3 employer.

## EXIT LIGHTING



4  
Marathon Surface  
Specification



5  
Marathon Recessed  
Specification



6  
Rival REUS - Surface  
Specification



7  
Rival REUR - Recessed  
Specification



8  
XLA1, XLN1, SO1, SP LED  
Commercial



9  
FR-XLA1, FR-XLN1 LED  
Commercial



10  
XLA2, XLN2 LED  
Specification



11  
XLC4 LED Combo  
Specification



12  
XLCNY8 LED Combo  
Specification



13  
PAL, PNL Contours  
Specification



14  
PNLD Series Contours II  
Specification



15  
LC2-RU Exit  
Specification



16  
PC3 Contours  
Specification



17  
PC4-RU Exit w/Heads  
Specification

## EMERGENCY LIGHTING



18  
A Light Duty  
Commercial



19  
A Commercial  
Commercial



20  
B Budget  
Commercial



21  
CB6 High  
Commercial



22  
H Industrial  
Industrial



23  
AN Specification  
Specification



24  
PC1-10 Contours  
Specification



25  
PC1D10 Contours II  
Specification



26  
PC2 Polycarbonate  
Commercial



27  
PC2D10SQ Contours II  
Commercial



28  
T Recessed  
Recessed



29  
ST Recessed  
Recessed



30  
ROB Recessed Oblong  
Recessed



31  
RG Recessed Gimbal  
Recessed



32  
RSQ Recessed Square  
Recessed



33  
FTP Tamperproof  
Specialty

**EMERGENCY LIGHTING**



**SL Stairlite  
Specialty**



**FP Battery Pack  
Specification**



**RF Surface Heads/Plastic  
Remote Head**



**RF Surface Heads/Metal  
Commercial**



**RF Recessed T Bar/Plastic  
Commercial**



**RF Recessed T Bar/Metal  
Commercial**



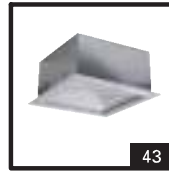
**RF Surface Gimbal  
Remote**



**RF Recessed Gimbal  
Remote**



**RF Recessed Adjustable  
Remote**



**RF Recessed Square  
Remote**



**RF Recessed Rectangle  
Remote**

**NEMA EXIT & EMERGENCY LIGHTING**



**X Series NEMA  
Specification**



**UX Series  
Architectural**

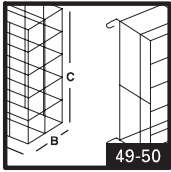


**X Series NEMA  
Industrial**



**12UEL1 Series  
Industrial**

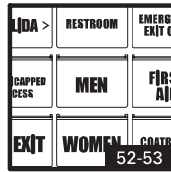
**EMERGENCY AND EXIT LIGHTING CONTROLS AND ACCESSORIES**



**OPTIONS/ACCESSORIES**



**HEAVY DUTY GUARDS**



**MARATHON LEGENDS**

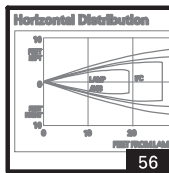


**STEEL SERIES LEGENDS**

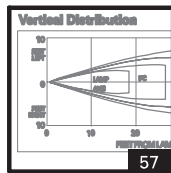
**TECHNICAL INFORMATION**



**Technical**



**Photometrics**



**Photometrics**

**POWER INVERTERS**



**ILLUMINATOR II SINGLE PHASE  
FTC SERIES, ISC SERIES**



**ILLUMINATOR II THREE  
PHASE SERIES**



**MICRO INVERTER**

**INDEX**



**Index**

### DESCRIPTION

The Marathon Series Exits are designed for architectural excellence and minimal presence. The crystal clear wedge shaped panel allows architectural details to shine through while providing excellent light distribution and exit visibility. Long life, energy efficient LED lamps reduce energy costs and eliminate routine lamp maintenance.

### DIMENSIONS



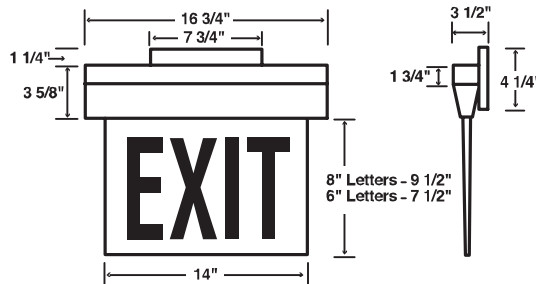
### MARATHON Surface

Aluminum Surface Mount  
AC Only or Self-Powered  
LED Edgelit Exit Sign

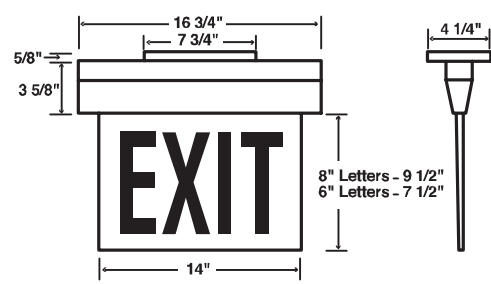
### EXIT LIGHTING

- Dual 120/277 VAC 60Hz input
- Long life energy efficient LED lamps
- Solid-state battery charger and switching in self-powered version
- Brownout circuit; test switch/power indicator light in self-powered version
- Adjustable hanger bars
- Connectors facilitate quick installation and maintenance
- Injection molded high-impact acrylic panel
- NFPA 101 compliant chevron directional indicators (when specified)
- Torsion springs secure trim plate to housing – no visible mounting hardware
- Sealed maintenance-free, long life nickel cadmium battery in self-powered version
- Meets or exceeds all current UL924 requirements, Life Safety Code, NFPA 101, NEC/OSHA and most state and local codes
- Local 3 IBEW

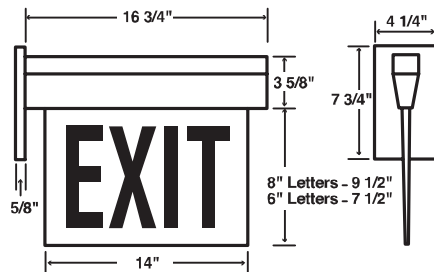
#### Surface, Wall Mount



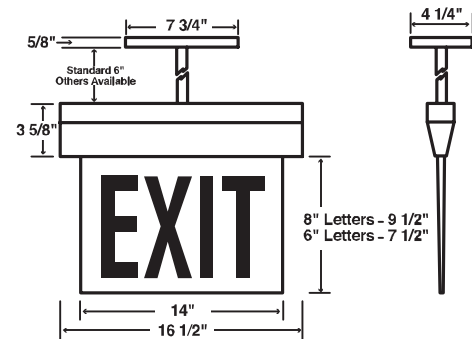
#### Surface, Ceiling Mount



#### Surface, End Mount



#### Surface, Pendant Mount



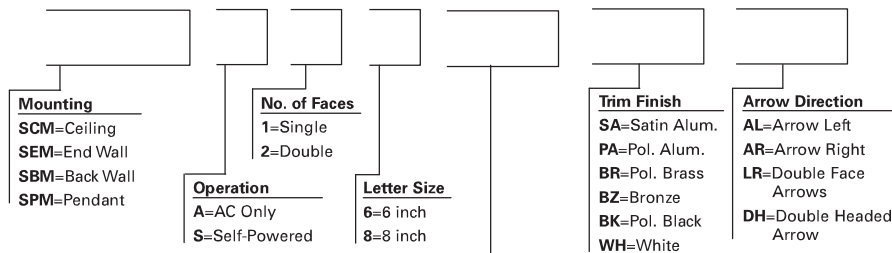
### ORDERING INFORMATION - NEW YORK CITY

### ORDERING INFORMATION - NATIONAL

Mounting	Operation	Number of Faces	Letter Size	Letter/Panel Color	Trim Finish	Arrow Direction
SCM Ceiling	A AC Only	1 Single	6 6"	RC Red on Clear (single face only)	SA Satin Alum	AL Arrow Left
SEM End Wall	S Self-powered	2 Double	8 8"	RW Red on White	PA Pol. Alum	AR Arrow Right
SBM Back Wall				RM Red on Mirror Mylar	BR Pol. Brass	LR Double Face Arrows
SPM Pendant				GC Green on Clear (single face only)	BZ Bronze	DH Double Headed Arrows
				GW Green on White	BK Pol. Black	
					WH White	

### OPTIONS AND ACCESSORIES

Notes: Green letters available on 6" signs only  
N.Y.B.S.A. Calendar (approval) #36168  
Custom signage available, contact factory



\* For Special Sign Legends  
See pages 52-53

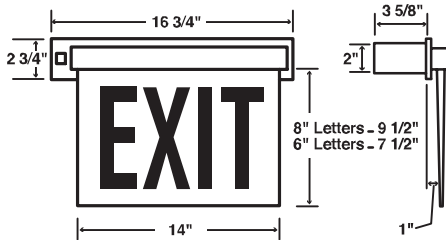
Arrow Direction Key		
Cat. Code	Panel Front	Panel Back
AL	<EXIT	Blank
AR	EXIT>	Blank
DH	<EXIT>	<EXIT>
	<i>(single face or double face)</i>	
LR	<EXIT	EXIT>
	<i>(double face only)</i>	

## DESCRIPTION

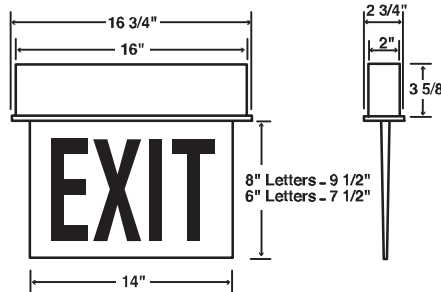
The Marathon Series Exits are designed for architectural excellence and minimal presence. The crystal clear wedge shaped panel allows architectural details to shine through while providing excellent light distribution and exit visibility. Long life, energy efficient LED lamps reduce energy costs and eliminate routine lamp maintenance.

## DIMENSIONS

### Recessed, Wall Mount



### Recessed, Ceiling Mount



## MARATHON Recessed

Aluminum Trim Recessed  
AC Only or Self-Powered  
LED Edgelit Exit Sign

## EXIT LIGHTING

### ORDERING INFORMATION - NEW YORK CITY

### ORDERING INFORMATION - NATIONAL

#### COMPLETE UNIT

Operation	Mounting	Number of Faces	Letter Size	Letter/Panel Color	Trim Finish	Arrow Direction
A AC Only	C Ceiling	1 Single	6 6"	RC Red on Clear (single face only)	SA Satin Alum	AL Arrow Left
S Self-powered	W Wall	2 Double	8 8"	RW Red on White RM Red on Mirror Mylar GC Green on Clear (single face only) GW Green on White	PA Pol. Alum BR Pol. Brass BZ Bronze BK Pol. Black WH White	AR Arrow Right LR Double Face Arrows DH Double Headed Arrows

Trim and Panel Only T

Housing Only H

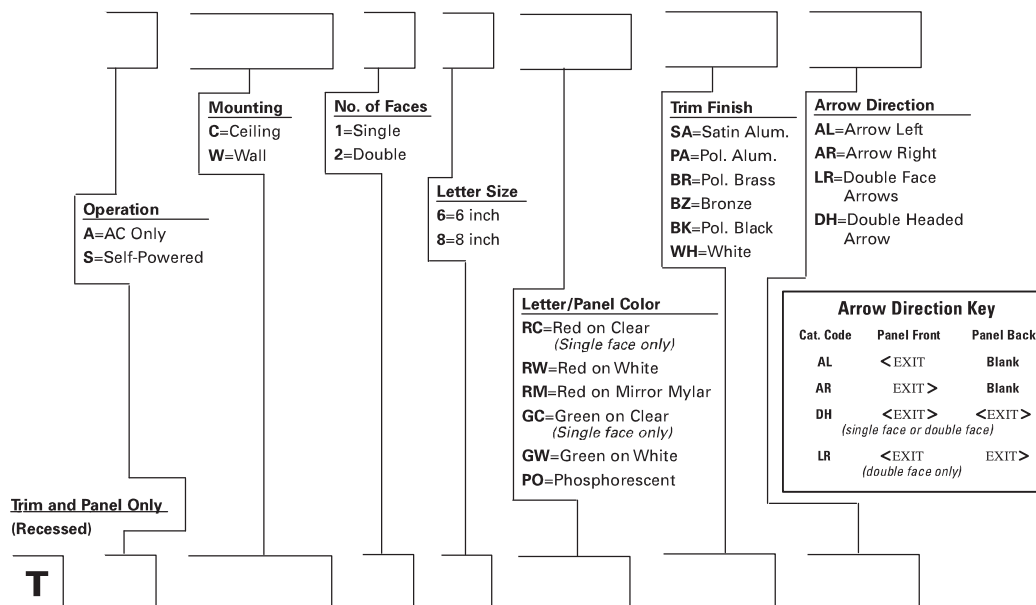
#### Operation

- A AC only
- S1 Self-powered single face
- S2 Self-powered double face

### OPTIONS AND ACCESSORIES

Notes: Green letters available on 6" signs only  
N.Y.B.S.A. Calendar (approval) #36168  
Custom signage available, contact factory

#### Complete Recessed Units



Trim and Panel Only  
(Recessed)

T

Housing Only  
(Recessed)

H

#### Operation

- A=AC Only
- S1=Self-Powered Single Face
- S2=Self-Powered Double Face

\* For Special Sign Legends  
See pages 52-53

Arrow Direction Key		
Cat. Code	Panel Front	Panel Back
AL	<EXIT	Blank
AR	EXIT >	Blank
DH	<EXIT >	<EXIT >
LR	<EXIT >	EXIT >

- Dual 120/277 VAC 60Hz input
- Long life energy efficient LED lamps
- Solid-state voltage charger and switching in self-powered version
- Brownout circuit; test switch/power indicator light in self-powered version
- 18 gauge steel recessed housing with conduit knockouts
- Recessed housing available for ceiling or wall mounting
- Adjustable hanger bars
- Connectors facilitate quick installation and maintenance
- Injection molded high-impact acrylic panel
- NFPA 101 compliant chevron directional indicators (when specified)
- Torsion springs secure trim plate to housing – no visible mounting hardware
- Sealed maintenance-free, long life nickel cadmium battery in self-powered version
- Meets or exceeds all current UL924 requirements, Life Safety Code, NFPA 101, NEC/OSHA and most state and local codes
- Local 3 IBEW



## RIVAL REUS SERIES (Surface Edgelit)

**EDGEKIT UNIVERSAL EXIT AC ONLY  
SELF-POWERED  
SINGLE OR DOUBLE FACE  
EMERGENCY LED LAMPS**

### EXIT LIGHTING

- Dual Voltage Input 120/277 VAC, 60Hz
- Solid-state Voltage Limited Charger, Solid State Switching, Brownout Circuit, Low Voltage Disconnect, Overload/Short Circuit Protection, Test Switch/Power Indicator Light
- Anodized Aluminum housing
- Exit is universal face; single and double face exit lens provided standard
- Black powder coat painted die cast canopy provided
- All components including battery and electronics are located inside the exit housing
- REUS Series Exit can be universally surface mounted, ceiling, wall or end
- Universal J-box mounting pattern
- Injection molded, high impact, clear acrylic panel
- Single or double face panels standard
- Bright red and green letter colors
- Universal, Field installable Chevrons in bright red and green
- Mirror background included with double face exits.
- Edge reflector for optimized efficiency and visibility
- Sealed Lead-Calcium Battery (Self-powered exits only) Maintenance Free, Long Life Full Recharge Time; 24 hrs.(max)
- UL 924 Listed  
ETL Listed  
Life Safety NFPA 101  
NEC/OSHA  
Most State and Local Codes
- **AC LED:** Long life LED lamps provide uniform diffused illumination  
**DC:** LED DC lamps

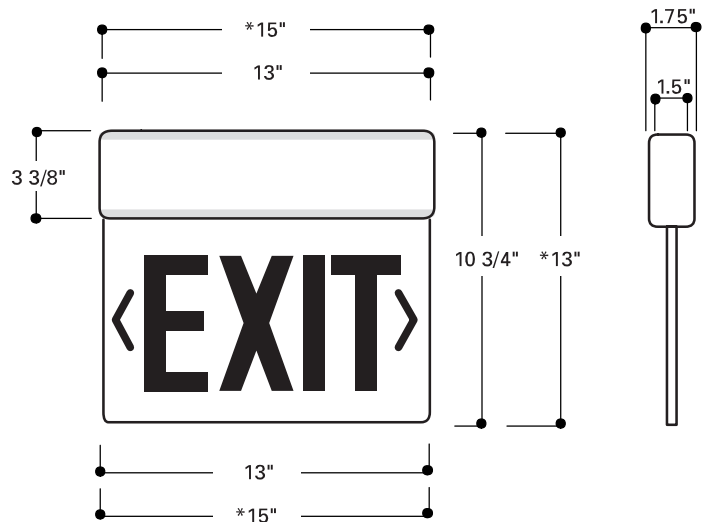
## EXIT LIGHTING

### DESCRIPTION

The AtLite Rival Series Edgelit Exit provides an attractive yet easy to install universal edgelit exit sign. The crystal clear lens panel provides excellent light distribution and exit visibility. Long life, energy efficient LED lamps reduce energy costs and eliminate routine lamp maintenance.

All Rival Series Edgelit Exits are provided with universal mounting capability (ceiling, wall or end), universal exit lens (single and double face), and universal, field installable chevrons providing the most versatile edge-lit exit in the market today.

### DIMENSIONS

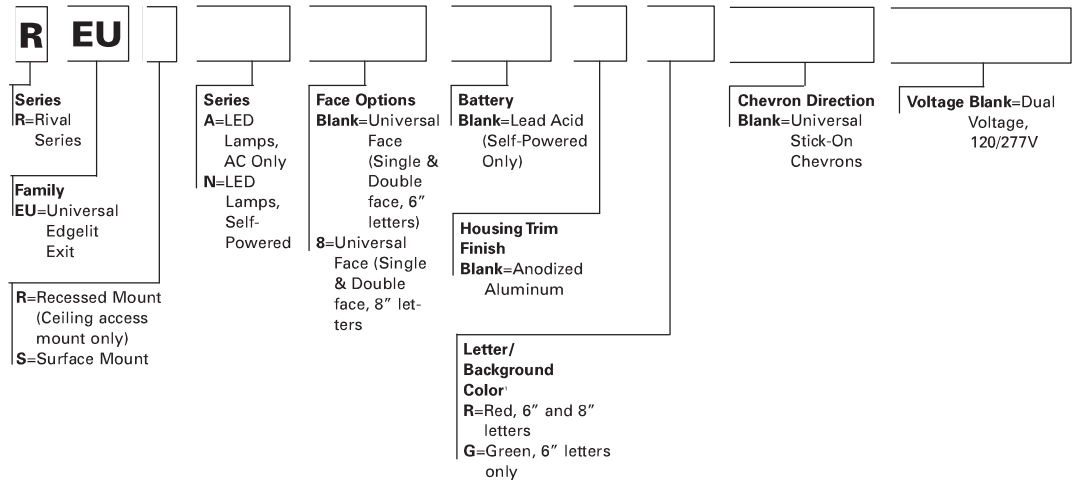


### ORDERING INFORMATION - NEW YORK CITY

### ORDERING INFORMATION - NATIONAL

### ORDERING INFORMATION—COMPLETE UNIT

SAMPLE NUMBER: REUR70R

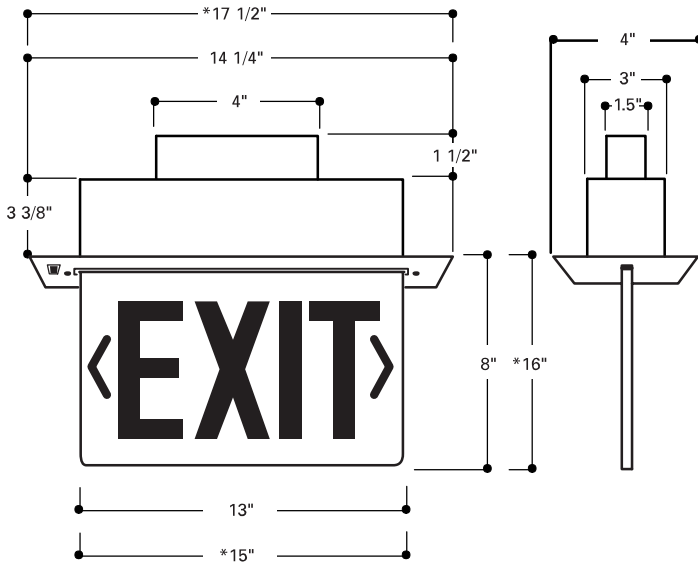




# EXIT LIGHTING

**ATLITE®**

## DIMENSIONS



## DESCRIPTION

The Atlite Rival Series Edgelit Exit provides an attractive yet easy to install universal edgelit exit sign. The crystal clear lens panel provides excellent light distribution and exit visibility. Long life, energy efficient LED lamps reduce energy costs and eliminate routine lamp maintenance.

All Rival Series Edgelit Exits are provided with universal mounting capability (ceiling, wall or end), universal exit lens (single and double face), and universal, field installable chevrons providing the most versatile edge-lit exit in the market today.



## RIVAL REUR SERIES (Recessed Edgelit)

**EDGELIT UNIVERSAL EXIT  
AC ONLY  
SELF-POWERED  
SINGLE OR DOUBLE FACE  
EMERGENCY LED LAMPS**

### EXIT LIGHTING

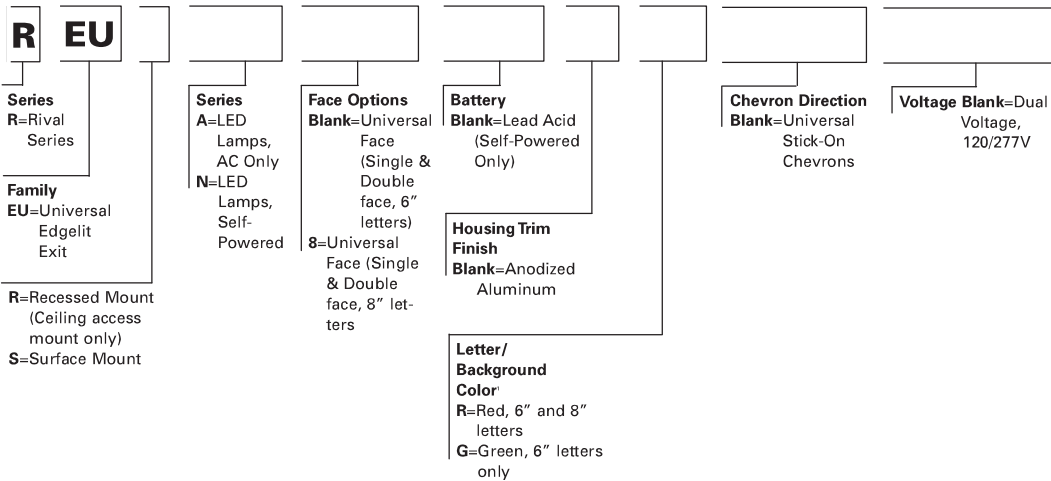
- Dual Voltage Input 120/277 VAC, 60Hz
- Solid-state Voltage Limited Charger, Solid State Switching, Brownout Circuit, Low Voltage Disconnect, Overload/Short Circuit Protection, Test Switch/Power Indicator Light
- Anodized Aluminum housing
- Exit is universal face; single and double face exit lens provided standard
- Black powder coat painted die cast canopy provided
- All components including battery and electronics are located inside the exit housing
- REUR Series Exit is recess mounted in accessible ceiling only
- Universal J-box mounting pattern
- Injection molded, high impact, clear acrylic panel
- Single or double face panels standard
- Bright red and green letter colors
- Universal, Field installable Chevrons in bright red and green
- Mirror background included with double face exits.
- Edge reflector for optimized efficiency and visibility
- Sealed Lead-Calcium Battery (Self-powered exits only) Maintenance Free, Long Life Full Recharge Time; 24 hrs.(max)
- UL 924 Listed  
ETL Listed  
Life Safety NFPA 101  
NEC/OSHA  
Most State and Local Codes
- **AC LED:** Long life LED lamps provide uniform diffused illumination  
**DC:** LED DC lamps

### ORDERING INFORMATION - NEW YORK CITY

### ORDERING INFORMATION - NATIONAL

#### ORDERING INFORMATION-COMplete UNIT

SAMPLE NUMBER: REUR70R



## EXIT LIGHTING



### XLA1, XLN1 LED

Steel AC Only or Self-Powered LED Exit Sign

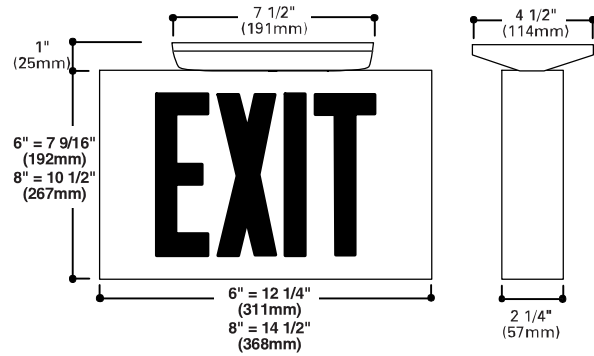
#### EXIT LIGHTING

- Dual Voltage Input 120/277 VAC, 60Hz
- Solid-state circuitry—no mechanical relay is used
- Constant current charger
- Sealed, maintenance-free nickel cadmium battery
- Formed 20 gauge steel housing and face plate construction
- Durable powder coat white finish standard; other finishes available
- Easily removed updated directional chevrons
- Variety of electrical and universal J-box mounting knockouts for easy installation
- Low profile canopy
- Meets or exceeds all current UL924 requirements, Life Safety Code, NFPA 101, NEC/OSHA and most state and local codes
- Recessed Version Available
- Local 3 IBEW
- 8" version approved for use in NYC

#### DESCRIPTION

The AtLite AC Only XLA1 and Self-Powered XLN1 LED Exit Series feature a rugged steel housing. The battery and electronics are contained within the housing, eliminating the need for a top-mounted power pack, allowing the unit to be mounted over most any doorway. Energy efficient LED illuminator strip provides bright, even illumination in red or green for the six inch and eight inch red letters. The XLA1 and XLN1 are an attractive combination of durable materials and energy saving technology in a compact fixture. The series exceeds all applicable NEC and NFPA requirements and is UL 924 listed.

#### DIMENSIONS



#### ORDERING INFORMATION - NEW YORK CITY

#### ORDERING INFORMATION - NATIONAL

Catalog Number	Operation	Letter Size	Housing	Letter Color	Number of Faces
XLA1	AC only	6 6"	S Steel	R Red	1 One face
XLN1	Self-powered	8* 8"		G Green	1C One face with canopy 2U Universal, Two faces with canopy and extra backplate

\* 8" Letter size available in Red only

#### ORDERING INFORMATION - NEW YORK CITY

#### ORDERING INFORMATION - NATIONAL

Steel Exit	Single Face	Ship Wt.	Single Face with Canopy	Ship Wt.	Double Face with Canopy	Ship Wt.	Universal	Ship Wt.
<b>INCANDESCENT</b>								
<u>Stencil Face-Red</u>								
6" Letters	SR1	5	SR1C	6	SR2C	6	SR2U	7
8" Letters	8SR1	7	8SR1C	8	8SR2C	8	8SR2U	9
<u>Phosphorescent Glass</u>								
6" Letters	SP1	5	SP1C	6	SP2C	6	SP2U	7
8" Letters	8SP1	7	8SP1C	8	8SP2C	8	8SP2U	9
<u>Open Face<sup>(6)</sup></u>								
6" Letters	S01-XXX	5	S01C-XXX	6	S02C-XXX	6		
8" Letters	8S01-XXX	7	8S01C-XXX	8	8S02C-XXX	8		

\* See Page 54 for Special Sign Legends

#### OPTIONS AND ACCESSORIES

OPTIONS: Add to Catalog No.		ACCESSORIES	
Description	Code	Description	Code
<b>For Self-Powered Units</b>			
Flasher (Emergency only) <sup>(3)</sup>	F	Canopy Kits	
Buzzer (Emergency only) <sup>(3)</sup>	BZ	White	CXW
Flasher/Buzzer (Emergency only) <sup>(3)</sup>	FB	Black	CXB
Flasher (On fire signal) <sup>(4)</sup> 12-48 Volt AC/DC or Dry Contact Control <sup>(5)</sup>	FA	6" Stem and canopy kit	
Buzzer (On fire signal) <sup>(4)</sup> 12-48 Volt AC/DC or Dry Contact Control <sup>(5)</sup>	ABZ	White	STW6
Flasher/Buzzer (On fire signal) <sup>(4)</sup> 12-48 Volt AC/DC or Dry Contact Control <sup>(5)</sup>	FA/BZ	Black	STB6
		12" Stem and canopy kit	
		White	STW12
		Black	STB12
		Wire Guard	See page 49

#### For AC Only Units

6 volt DC sockets and lamps, factory installed	EM6
12 volt DC sockets and lamps factory installed	EM12

#### AVAILABLE FINISHES

Description	Code
Black/Silver stencil	BS
Black/Black stencil	BB

<sup>(3)</sup> Activated on utility failure

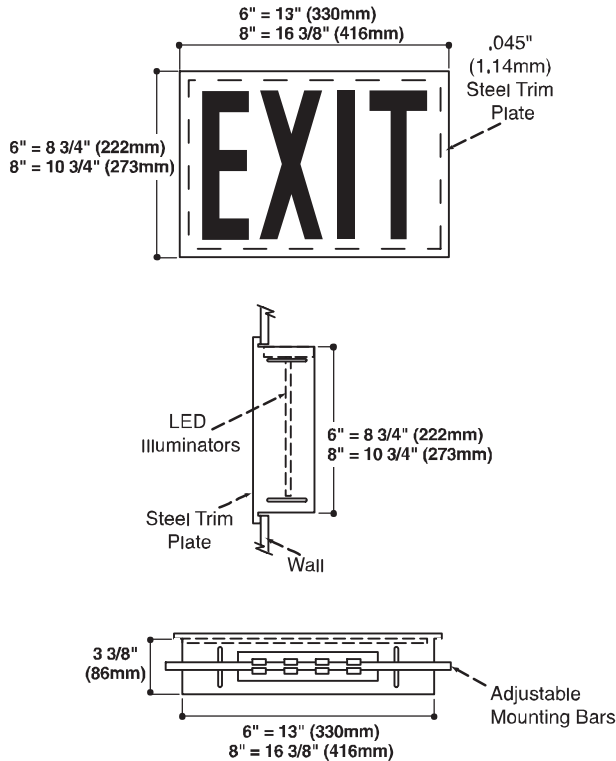
<sup>(4)</sup> Activated from fire signal or on utility failure

<sup>(5)</sup> 12-48 Volt AC/DC connection is *isolated*

Note: N.Y.B.S.A. Calendar (approval) #37899

<sup>(6)</sup> For Special sign legends, See page 52

**DIMENSIONS**



**DESCRIPTION**

The AtLite AC Only FR-XLA1 and Self-Powered FR-XLN1 LED Exit Series feature a fully recessed rugged steel housing. The battery and electronics are contained within the housing, eliminating the need for a top-mounted power pack, allowing the unit to be mounted over most any doorway. Energy efficient LED illuminator strip provides bright, even illumination in red or green for the six inch and eight inch red letters. The FR-XLA1 and FR-XLN1 are an attractive combination of durable materials and energy saving technology in a compact fixture. The series exceeds all applicable NEC and NFPA requirements and is UL 924 listed.



**FR-XLA1, FR-XLN1 LED**

Steel AC Only or Self-Powered LED Exit Sign

**EXIT LIGHTING**

- Fully Recessed
- Dual Voltage Input 120/277 VAC, 60Hz
- Solid-state circuitry—no mechanical relay is used
- Constant current charger
- Sealed, maintenance-free nickel cadmium battery
- Formed 20 gauge steel housing and face plate construction
- Durable powder coat white finish standard; other finishes available
- Easily removed updated directional chevrons
- Variety of electrical and universal J-box mounting knockouts for easy installation
- Low profile canopy
- Meets or exceeds all current UL924 requirements, Life Safety Code, NFPA 101, NEC/OSHA and most state and local codes
- Local 3 IBEW
- 8" version approved for use in NYC

**ORDERING INFORMATION - NEW YORK CITY**

**ORDERING INFORMATION - NATIONAL**

Catalog Number	Operation	Letter Size	Housing	Letter Color
FR-XLA1	AC only	6" 6"	S Steel	R Red
FR-XLN1	Self-powered	8" 8"		G Green

\* 8" Letter size available in Red only

**OPTIONS AND ACCESSORIES**

**OPTIONS: Add to Catalog No.**

Description	Code
<b>For Self-Powered Units</b>	
Flasher (Emergency only) (3)	F
Buzzer (Emergency only) (3)	BZ
Flasher/Buzzer (Emergency only) (3)	FB
Flasher (On fire signal) <sup>(4)</sup> 12-48 Volt AC/DC or Dry Contact Control <sup>(5)</sup>	FA
Buzzer (On fire signal) <sup>(4)</sup> 12-48 Volt AC/DC or Dry Contact Control <sup>(5)</sup>	ABZ
Flasher/Buzzer (On fire signal) <sup>(4)</sup> 12-48 Volt AC/DC or Dry Contact Control <sup>(5)</sup>	FA/BZ
<b>For AC Only Units</b>	
6 volt DC sockets and lamps, factory installed	EM6
12 volt DC sockets and lamps factory installed	EM12

**ACCESSORIES**

Description	Code
<b>Canopy Kits</b>	
White	CXW
Black	CXB
<b>6" Stem and canopy kit</b>	
White	STW6
Black	STB6
<b>12" Stem and canopy kit</b>	
White	STW12
Black	STB12

**AVAILABLE FINISHES**

Description	Code
Black/Silver stencil	BS
Black/Black stencil	BB

(3) Activated on utility failure

(4) Activated from fire signal or on utility failure

(5) 12-48 Volt AC/DC connection is *isolated*

Note: N.Y.B.S.A. Calendar (approval) #37899



### XLA2, XLN2 LED

Die-cast Aluminum  
AC Only or Self-Powered  
LED Exit Sign

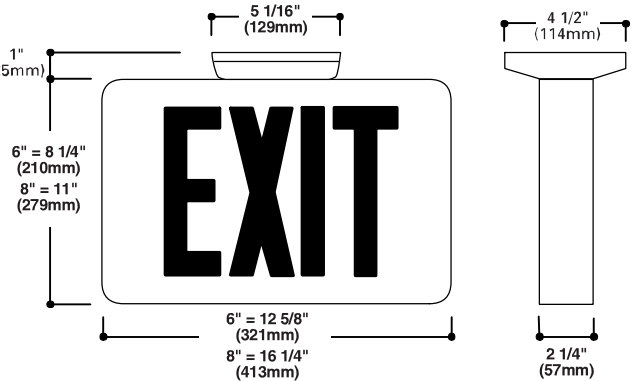
#### EXIT LIGHTING

- Dual Voltage Input 120/277 VAC, 60Hz
- Solid-state circuitry—no mechanical relay is used
- Constant current charger
- Sealed, maintenance-free nickel cadmium battery
- Durable die-cast aluminum housing and face plate
- Contemporary styled, soft-corner design
- White and black finishes available
- Easily removed updated directional chevrons
- Variety of concealed electrical and universal J-box mounting knock-outs for easy installation
- Low-profile mounting canopy
- Meets or exceeds all current UL924 requirements, Life Safety Code, NFPA 101, NEC/OSHA and most state and local codes
- Local 3 IBEW
- 8" version approved for use in NYC
- Standard finish-black housing; brushed aluminum face (silver)

#### DESCRIPTION

The AtLite AC Only XLA2 and Self-Powered XLN2 LED Exit Series feature a specification grade, precision die-cast aluminum housing. The battery and electronics are contained within the housing, eliminating the need for a top-mounted power pack, allowing the unit to be mounted over most any doorway. An energy-efficient LED illuminator strip provides bright, even illumination in red or green for the six inch and red eight inch letters. The XLA2 and XLN2 are a beautiful combination of durable materials and energy saving technology in a smooth, contemporary styled fixture. The series exceeds all applicable NEC and NFPA requirements and is UL 924 listed.

#### DIMENSIONS



#### ORDERING INFORMATION - NEW YORK CITY

Catalog Number	Operation	Letter Size	Housing
XLA2	AC only	6 6"	D Die-cast
XLN2	Self-powered	8 8"	

#### ORDERING INFORMATION - NATIONAL

Letter Color	Number of Faces
R Red	1 One face
G Green	1C One face with canopy
	2C Two faces with canopy

\* 8" Available in Red Letters Only

#### OPTIONS AND ACCESSORIES

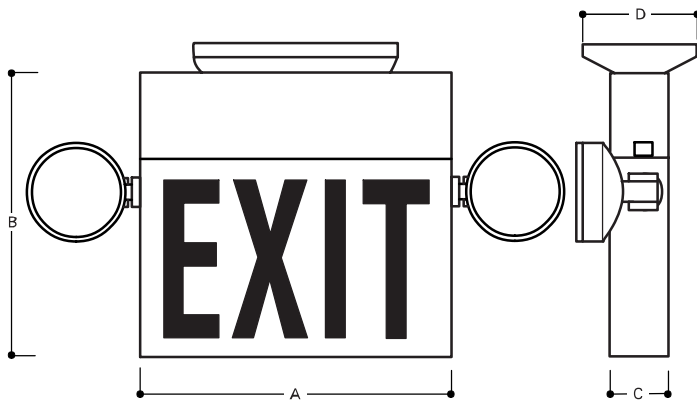
OPTIONS: Add to Catalog No.	
Description	Code
<b>For Self-Powered Units</b>	
Flasher (Emergency only) (3)	F
Buzzer (Emergency only) (3)	BZ
Flasher/Buzzer (Emergency only) (3)	FB
Flasher (On fire signal) <sup>(4)</sup> 12-48 Volt AC/DC or Dry Contact Control <sup>(5)</sup>	FA
Buzzer (On fire signal) <sup>(4)</sup> 12-48 Volt AC/DC or Dry Contact Control <sup>(5)</sup>	ABZ
Flasher/Buzzer (On fire signal) <sup>(4)</sup> 12-48 Volt AC/DC or Dry Contact Control <sup>(5)</sup>	FA/BZ
<b>For AC Only Units</b>	
6 volt DC sockets and lamps, factory installed	EM6
12 volt DC sockets and lamps, factory installed	EM12

(3) Activated on utility failure  
 (4) Activated from fire signal or on utility failure  
 (5) 12-48 Volt AC/DC connection is *isolated*;  
 Dry Contact must be user isolated  
 Note: N.Y.B.S.A. Calendar (approval) #37899

ACCESSORIES	
Description	Code
<b>Canopy Kits</b>	
White	DCW
Black	DCB
<b>6" Stem and canopy kit</b>	
White	STDW6
Black	STDB6
<b>12" Stem and canopy kit</b>	
White	STDW12
Black	STDB12
Stainless Steel Tamperproof Screws	TPS
Vandal Resistant Shield	VRS
Wire Guard	See page 49

AVAILABLE FINISHES	
Description	Code
White/White stencil	WW
White/Silver stencil	WS
Black/Black stencil	BB

**DIMENSIONS**



Letters	A	B	C	D
6"	16 5/8" (422mm)	7 9/16" (192mm)	2 1/4" (57mm)	4 1/2" (114mm)
8"	18 7/8" (479mm)	10 1/2" (266mm)	2 1/4" (57mm)	4 1/2" (114mm)

**EXIT LIGHTING**

**DESCRIPTION**

The AtLite Top Power Pack Steel LED Combination Exit/ Emergency XLC4 Series is illuminated by a field replicable, high-brightness LED strip. It features the choice of one or two emergency lighting heads, which mount to the side of the unit. The emergency lighting heads are aimable, offering exceptional illumination for safe egress. Extra capacity for use with remote fixtures is available with the XLC4, providing the ability to power additional exit or emergency remote fixtures within the same room or adjacent spaces from the XLC as a central battery packed unit. The series exceeds all applicable NEC and NFPA requirements and is UL 924 listed.

**ATLITE®**



**XLC4 LED Combination**

**Steel Combination Emergency and LED Exit Sign**

**EXIT LIGHTING**

**ORDERING INFORMATION - NEW YORK CITY**

**ORDERING INFORMATION - NATIONAL**

Catalog Number	Operation	Letter Size	Housing	Letter Color	Number of Faces	Number of Heads
XLC4 <sup>(3)</sup>	Self-powered combo	6 6"	S Steel	R Red G Green	1 One face U Two Faces with canopy and extra backplate	Standard unit has 2 heads 0 No heads 1L One head, left side <sup>(1)</sup> 1R One head, right side <sup>(1)</sup>

<sup>(1)</sup>With one head mounted on main unit

<sup>(2)</sup>8" Letters available only in red

<sup>(3)</sup>Total Wattage = 12 Watts for 6" Exit, 27 Watts for 8" Exit

**OPTIONS AND ACCESSORIES**

**OPTIONS: Add to Catalog No.**

Description	Code
Flasher (Emergency only) <sup>(1)</sup>	F
Buzzer (Emergency only) <sup>(1)</sup>	BZ
Flasher/Buzzer (Emergency only) <sup>(1)</sup>	FB
Flasher (On fire signal) <sup>(2)</sup> 12-48 Volt AC/DC or Dry Contact Control <sup>(3)</sup>	FA
Buzzer (On fire signal) <sup>(2)</sup> 12-48 Volt AC/DC or Dry Contact Control <sup>(3)</sup>	ABZ
Flasher/Buzzer (On fire signal) <sup>(2)</sup> 12-48 Volt AC/DC or Dry Contact Control <sup>(3)</sup>	FA/BZ

<sup>(1)</sup> Activated on utility failure

<sup>(2)</sup> Activated from fire signal or on utility failure

<sup>(3)</sup> 12-48 Volt AC/DC connection is *isolated*; Dry Contact must be user isolated

**ACCESSORIES**

Description	Code
Canopy Kits	
White	CXW
Black	CXB
6" Stem and canopy kit	
White	STW6
Black	STB6
12" Stem and canopy kit	
White	STW12
Black	STB12
Wire Guard	See page 49
Replacement Lamp-6" Exits	6RW5
Replacement Lamp-8" Exits	6RW12

**AVAILABLE FINISHES**

Description	Code
White/Silver stencil	WS
Black/Silver stencil	BS
Black/Black stencil	BB

- Dual 120/277 VAC, 60Hz input
- Solid-state circuitry—no mechanical relay is used
- Output short-circuit and reverse polarity protected
- Transfer with AC line-latching
- Brown-out protection
- Sealed, maintenance-free lead calcium battery
- Formed 20 gauge steel housing and face plate construction
- Durable powder coat white finish standard; other finishes available
- Easily removed updated directional chevrons
- Variety of electrical and universal J-box mounting knockouts for easy installation
- Low-profile mounting canopy
- Meets or exceeds all current UL924 requirements, Life Safety Code, NFPA 101, NEC/OSHA and most state and local codes



### XLCNY8L LED Combination

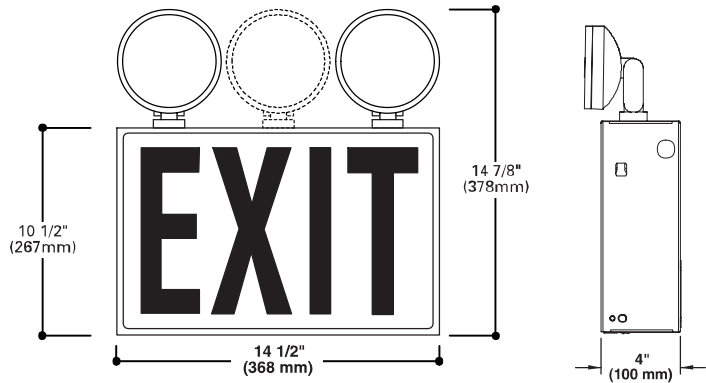
Steel Combination  
Emergency and  
LED Exit Sign

#### EXIT LIGHTING

- Dual Voltage Input 120/277 VAC, 60Hz
- Solid-state circuitry—no mechanical relay is used
- Output short-circuit and reverse polarity protected
- Transfer with AC line-latching
- Brown-out protection
- Sealed, maintenance-free lead calcium battery in self-powered version
- Formed 20 gauge steel housing and face plate construction
- Durable powder coat white finish standard; other finishes available
- Easily removed updated directional chevrons
- Variety of electrical and universal J-box mounting knockouts for easy installation
- Low-profile mounting canopy
- Meets or exceeds all current UL924 requirements, Life Safety Code, NFPA 101, NEC/OSHA and most state and local codes
- Local 3 IBEW

The Atlite New York City approved Rear Power-Pack Steel LED Combination Exit/Emergency XLCNY8L Series is illuminated by a field replicable, high-brightness LED strip. Extra capacity for use with remote fixtures is available, providing the ability to power additional exit or emergency remote fixtures within the same room or adjacent spaces from the XLCNY8L as a central battery packed unit. It features the choice of one, two or three emergency lighting heads, which mount directly to the unit. The emergency lighting heads are aimable, offering exceptional illumination for safe egress. The series exceeds all applicable NEC and NFPA requirements and is UL 924 listed.

#### DIMENSIONS



#### ORDERING INFORMATION - NEW YORK CITY

#### ORDERING INFORMATION - NATIONAL

Catalog Number	Option	Capacity	Number of Heads	Lamp Type	Optional Remote Capacity
XLCNY8L <sup>(1)</sup>	Blank	Blank 27 Watts	Blank Two Heads	6RW12	27 27 Watts extra <sup>(2)</sup>
XLCNY8SDL <sup>(3)</sup>	Self-Diagnostic	54 54 Watts	3 Three Heads	6RW9 <sup>(4)</sup>	54 54 Watts extra <sup>(2)</sup>
			1 One Head		
			0 No Heads		

<sup>(1)</sup> Laser Check is standard on XLCNY8L

<sup>(2)</sup> With no heads mounted on main unit.

<sup>(3)</sup> SDL Option includes Self-Diagnostic circuitry with Laser Test capability

<sup>(4)</sup> Standard on XLCNY8L-3

#### OPTIONS AND ACCESSORIES

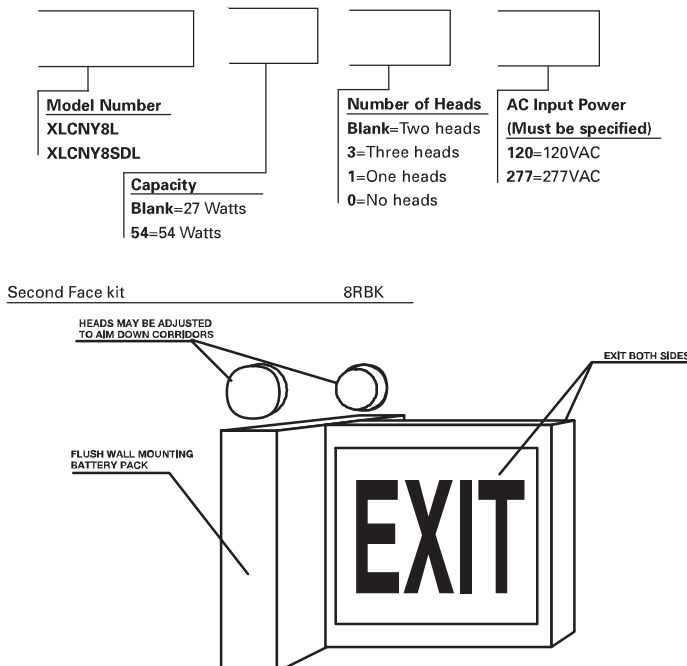
##### OPTIONS: Add to Catalog No.

Description	Code
Second Face kit (includes additional red color matched solid diffuser and white stencil)	8RBK
White Housing/Silver Stencil	WS
Black Housing/Silver Stencil	BS
Black Housing/Black Stencil	BB
Heads on the Side	HOS

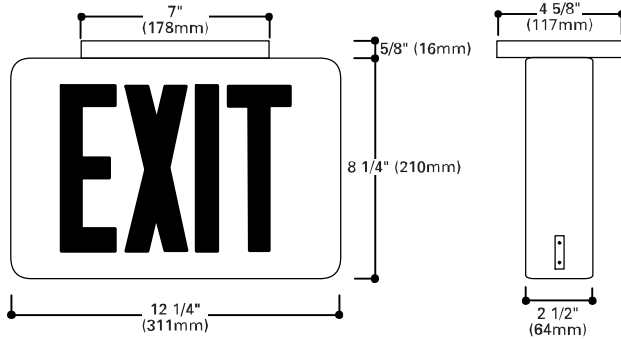
Note: N.Y.B.S.A. Calendar (approval) #34014

##### ACCESSORIES

Description	Code
Ceiling Mounting kit (Pendant type for ceiling mounting allowing for lighting heads. 6" stem is standard)	CM
Laser Pointer (For use with SDL option for activating photocell test switch)	LP
Wire Guard	See page 49



## DIMENSIONS



## EXIT LIGHTING

ATLITE®

## DESCRIPTION

The AtLite Contours AC Only XPAB incandescent, PAL LED and self-powered PNL LED feature a soft-cornered, injection-molded thermoplastic housing. This compact design, with battery and electronics contained within the housing, eliminates the need for a top-mounted power pack; unit can be mounted over most any doorway. The PAL and PNL are illuminated by a field-replaceable, high brightness LED illuminator strip while the XPAB has two traditional incandescent lamps. The Contour Series is available in red and green six inch letters. Exceeds all applicable NEC and NFPA requirements; UL 924 listed.



## PAL,PNL Contours

Polycarbonate AC Only or Self-Powered Exit Sign

## EXIT LIGHTING

### ORDERING INFORMATION - NATIONAL

Catalog Number	Operation & Face Illumination	Letter Color	Number of Faces	Optional Finish
PAB	AC Only Units, Incandescent lamps 120 VAC input only	R Red G Green	1 one face U Universal, Two faces with canopy and extra backplate	BLK Black
PAL	AC Only Units, LED Illumination dual voltage 120/277 VAC			
PNL	Self-powered, LED Illumination, dual voltage 120/277 VAC			

### OPTIONS AND ACCESSORIES

#### OPTIONS: Add to Catalog No.

Description	Code
<b>For Self-Powered Units</b>	
Flasher (Emergency only) <sup>(1)</sup>	F
Buzzer (Emergency only) <sup>(1)</sup>	BZ
Flasher/Buzzer (Emergency only) <sup>(1)</sup>	FB
Flasher (On fire signal) <sup>(2)</sup> 12-48 Volt AC/DC or Dry Contact Control <sup>(3)</sup>	FA
Buzzer (On fire signal) <sup>(2)</sup> 12-48 Volt AC/DC or Dry Contact Control <sup>(3)</sup>	ABZ
Flasher/Buzzer (On fire signal) <sup>(2)</sup> 12-48 Volt AC/DC or Dry Contact Control <sup>(3)</sup>	FA/BZ

<sup>(1)</sup> Activated on utility failure

<sup>(2)</sup> Activated from fire signal or on utility failure

<sup>(3)</sup> 12-48 Volt AC/DC connection is *isolated*; Dry Contact must be user isolated

#### For AC Only Units

6 volt DC sockets and lamps, factory installed	EM6
12 volt DC sockets and lamps, factory installed	EM12

#### ACCESSORIES

Description	Code
<b>Canopy Kits</b>	
White	PCW
Black	PCB
<b>6" Stem and canopy kit</b>	
White	PSTW6
Black	PSTB6
<b>12" Stem and canopy kit</b>	
White	PSTW12
Black	PSTB12
Wire Guard	See page 49

- Dual 120/277 VAC, 60Hz input on XPAL and XPNL
- Solid-state circuitry—no mechanical relay is used
- Constant current charger
- Sealed, maintenance-free nickel cadmium battery
- Snap together, injection-molded plastic construction
- Contemporary styled, soft-corner design
- White and black finishes available
- Easily removed updated directional chevrons
- Variety of electrical and universal J-box mounting knockouts for easy installation
- Low-profile mounting canopy
- Meets or exceeds all current UL924 requirements, Life Safety Code, NFPA 101, NEC/OSHA and most state and local codes



**PNLD Series  
CONTOURS II**

**Thermoplastic Exit  
Self-Powered  
Emergency  
LED Lamps**

**EXIT LIGHTING**

- Dual Voltage Input 120/277 VAC, 60Hz
- Solid-state Voltage Limited Charger
- Brownout Circuit
- Test Switch/Power Indicator Light
- All components are injection molded, color stable, high impact thermoplastic material
- Components are of snap-fit construction to facilitate under 5-minute installation
- Reinforcing ribs throughout to provide maximum strength
- Molded-in wireways facilitate internal wire routing and connections
- All components including battery and electronics are located inside the exit housing
- Snap-out or snap-in chevron directional indicators
- Universal exits can be field configured as single face or double face
- Canopy with mounting screws included with all exits
- Exit can be ceiling, wall or end mounted
- Universal J-box mounting pattern
- Sealed Nickel Cadmium battery Maintenance Free, Long Life Full Recharge Time, 24 hrs (max)
- UL 924 Listed  
UL Damp Location Listed  
Life Safety NFPA 101  
NEC/OSHA  
Most State & Local Codes

**DESCRIPTION**

The PNLD, Contours II Series Exit is the most economical LED exit available in the market for general purpose applications. Its contemporary design with soft corner styling and designer white textured finish enables it to blend easily with any decor. The durable, injection molded, thermoplastic material resists discoloration due to UV radiation and age. The contractor friendly snap fit construction allows for a quick, under 5-minute installation. The energy efficient, no maintenance LEDs provide bright illumination. The space efficient housing internally houses the battery and electronics; it also incorporates molded internal wireways to route wiring and connections, thus avoiding undesirable shadowing of the exit legend. All Self-Powered PNLD Series Exits are available in universal configurations (single and double face) and have universal mounting capability (ceiling, wall, or end).

**LAMP DATA**

AC LED: Long life LED lamps provide uniform diffused illumination

DC: LED DC lamps  
(Brighter in emergency mode)

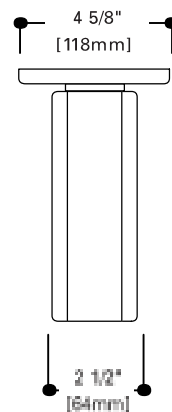
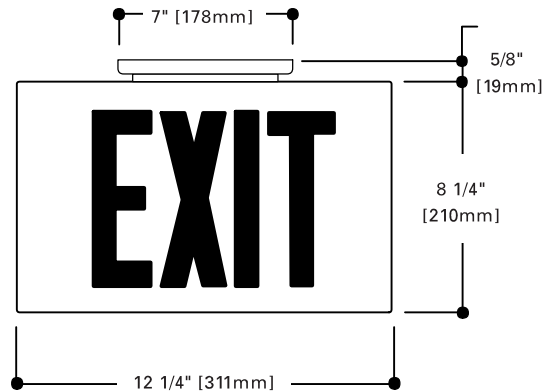
**ENERGY DATA**

**Charge Mode (Fully Discharged Battery):**

**Sealed Nickel Cadmium Battery  
LED Exits - Red**  
Input Power:  
120V = 2.7W  
277V = 2.8W

Input Current (Max.):  
120V = .03A  
277V = .01A

**DIMENSIONS**

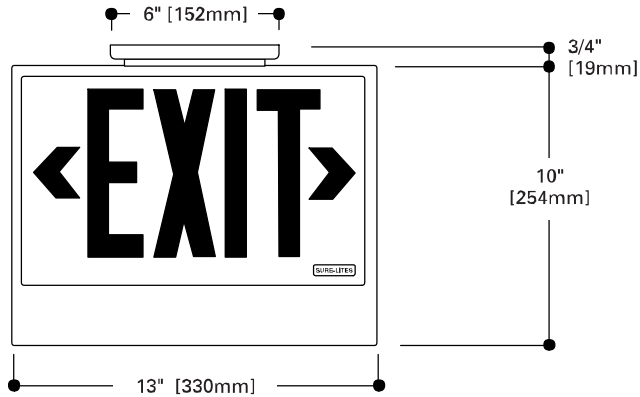


**ORDERING INFORMATION - NATIONAL**

Catalog Number	Operation	Letter Color	Number of Faces
PNLD	Self-powered	R Red	U Universal, Two faces with canopy and extra backplate



## DIMENSIONS



## EXIT LIGHTING

### DESCRIPTION

The LC2-RU Exit is an economical, yet attractive, alternative to metal exits. Its contemporary round corner styling, designer white finish, and consistent family appearance enable it to blend with any decor. The tough injection-molded polycarbonate materials resist discoloration due to age and ultraviolet radiation. The structural components are made even stronger with reinforcing ribs throughout. All components, including canopy and chevron directional indicators, are of snap-fit construction to facilitate installation; reliable and labor-saving push-in AC connectors are standard to further improve the installation time to under-5-minutes.

## ATLITE®



### LC2-RU Exit

**Polycarbonate  
LED Illuminated  
Self-Powered Exit  
With Available Power  
For Remote Heads**

### ORDERING INFORMATION - NATIONAL

Catalog Number	Operation	Letter Color	Number of Faces
LC2	Self-powered Combo High Power Remote Capacity	R Red	U Universal Two Faces with Canopy and Extra Backplate

### ENERGY DATA

Input Power:  
120V = 4.9W  
277V = 4.7W

Input Current:  
120V = .07A  
277V = .03A

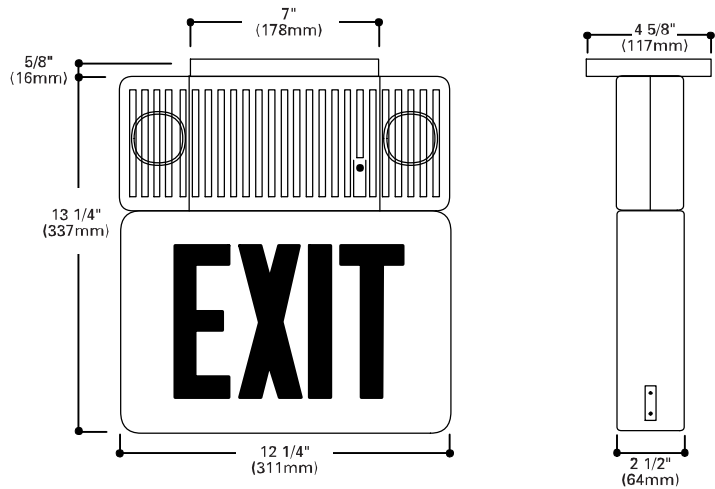
- Dual 120/277 VAC, 60Hz input
- Solid-state circuitry—no mechanical relay is used
- Output short-circuit and reverse polarity protected
- Transfer with AC line-latching
- Brown-out protection
- Sealed, maintenance-free lead calcium battery
- 11 Watts of Remote Capability
- All components are injection molded, color-stable, high impact UL 94-5VA rated polycarbonate material.
- Easily removed updated directional chevrons
- Variety of electrical and universal J-box mounting knockouts for easy installation
- Low-profile mounting canopy
- Meets or exceeds all current UL924 requirements, Life Safety Code, NFPA 101, NEC/OSHA and most state and local codes

## EXIT LIGHTING

### DESCRIPTION

The AtLite Contours PC3 Combination LED Exit/Emergency Light features a soft-cornered, injection-molded thermoplastic exit and emergency housing. The exit sign is illuminated by a field-replaceable, high brightness LED illuminator strip. The emergency lighting power-pack has two integral PAR 18 incandescent heads, aimable in two planes, enclosed in focus-enhancing lenses. Once aimed, the lamps are secure from unauthorized tampering. The PC3 can also be end-mounted, adding to its already versatile application flexibility, and aimed to provide effective illumination for safe egress. The Contours Series Combination Unit is available in red or green six inch letters. The series exceeds all applicable NEC and NFPA requirements; UL 924 listed.

### DIMENSIONS



### PC3Contours

Polycarbonate  
Combination Emergency  
and LED Exit Sign

### EXIT LIGHTING

- Dual 120/277 VAC, 60Hz input
- Solid-state circuitry—no mechanical relay is used
- Output short-circuit and reverse polarity protected
- Transfer with AC line-latching
- Brownout protection
- Sealed, maintenance-free lead calcium battery
- Snap together, injection-molded plastic construction
- Focus-enhancing emergency lenses
- Contemporary styled, soft-corner design
- White and black finishes available
- Easily removed updated directional chevrons
- Variety of electrical and universal J-box mounting knockouts for easy installation
- Low-profile mounting canopy
- Meets or exceeds all current UL924 requirements, Life Safety Code, NFPA 101, NEC/OSHA and most state and local codes

### ORDERING INFORMATION - NATIONAL

Catalog Number	Operation	Letter Color	Number of Faces	Optional Finish
PC3	Self-powered	R Red G Green	1 One face U Universal, Two faces with canopy and extra backplate	BLK Black

### OPTIONS AND ACCESSORIES

#### OPTIONS: Add to Catalog No.

Description	Code
Flasher (Emergency only) <sup>(1)</sup>	F
Buzzer (Emergency only) <sup>(1)</sup>	BZ
Flasher/Buzzer (Emergency only) <sup>(1)</sup>	FB
Flasher (On fire signal) <sup>(2)</sup> 12-48 Volt AC/DC or Dry Contact Control <sup>(3)</sup>	FA
Buzzer (On fire signal) <sup>(2)</sup> 12-48 Volt AC/DC or Dry Contact Control <sup>(3)</sup>	ABZ
Flasher/Buzzer (On fire signal) <sup>(2)</sup> 12-48 Volt AC/DC or Dry Contact Control <sup>(3)</sup>	FA/BZ

<sup>(1)</sup> Activated on utility failure

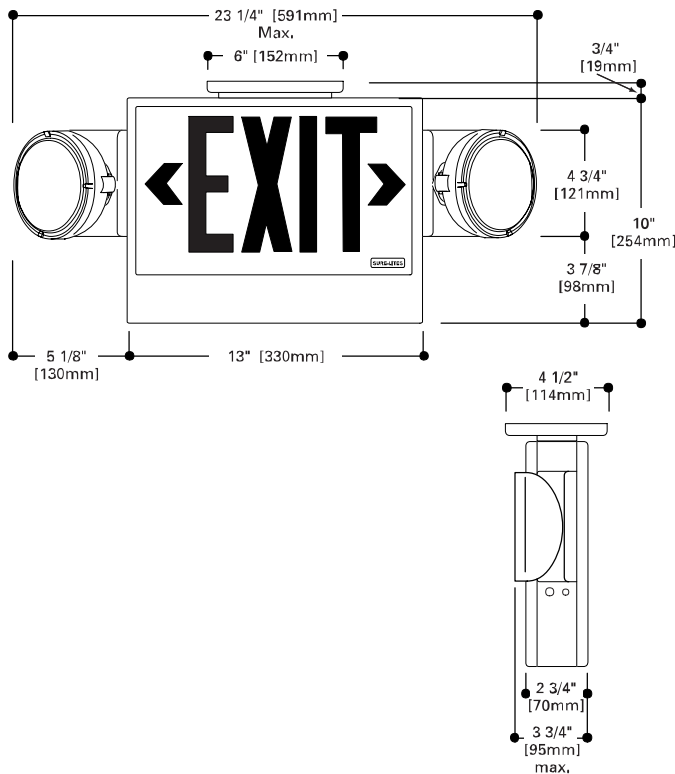
<sup>(2)</sup> Activated from fire signal or on utility failure

<sup>(3)</sup> 12-48 Volt AC/DC connection is *isolated*; Dry Contact must be user isolated

#### ACCESSORIES

Description	Code
Canopy Kits	
White	PCW
Black	PCB
6" Stem and canopy kit	
White	PSTW6
Black	PSTB6
12" Stem and canopy kit	
White	PSTW12
Black	PSTB12
Wire Guard	See page 49

## DIMENSIONS



## EXIT LIGHTING

### DESCRIPTION

The PC4-RU Exit with Heads is an economical, yet attractive, alternative to metal exits. The tough injection-molded polycarbonate materials resist discoloration due to age and ultraviolet radiation. All components, including canopy and chevron directional indicators, are of snap-fit construction to facilitate installation; reliable and labor saving push-in AC connectors are standard. The PC4-RU Exit with Heads use energy efficient, long-life LEDs. The low-operating costs and zero-maintenance requirement make LED lamps the wisest choice for exit signs today. The heads employ 6V, 5.4W DC incandescent wedge base lamps. Total capacity is 22 watts.

## ATLITE®



### PC4-RU EXIT WITH HEADS

**Polycarbonate LED Illuminated Self-powered Exit and Emergency Light with Double Heads**

### EXIT LIGHTING

- Dual 120/277 VAC, 60Hz input
- Solid-state switching
- Solid-state voltage limited charger
- Overload/short-circuit protection
- Transfer with AC line-latching
- Brownout protection
- Sealed, maintenance-free lead calcium battery
- Snap together, injection-molded plastic construction
- Designer-white, textured finish standard
- Impact-resistant, polycarbonate emergency lenses
- Easily removed updated directional chevrons
- Variety of electrical and universal J-box mounting knockouts for easy installation
- Molded-in wireways facilitate internal wire routing and connections
- Meets or exceeds all current UL924 requirements, Life Safety Code, NFPA 101, NEC/OSHA and most state and local codes

### ORDERING INFORMATION - NATIONAL

Catalog Number	Operation & Face Illumination	Letter Color	Number of Faces
PC4	Self-powered combo, LED illumination, with Heads	R Red	U Universal, Two faces with canopy and extra backplate

### OPTIONS AND ACCESSORIES

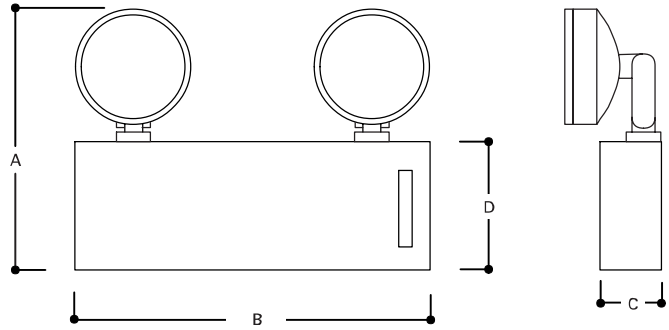
#### ACCESSORIES

Description	Code
Extra red diffuser	LD1
Socket adapter tube (specify socket type)	LA1



The A Light Duty is an ideal standard unit for light duty applications. The white powder coat finish unobtrusively blends into the background in any decor. Quality metal construction and electronic reliability combine to make the A Series a popular choice for facilities where moderate loads, economy, ease of installation, safety and reliability are important.

**DIMENSIONS**



**A LIGHT DUTY**

**Steel Emergency Unit Incandescent Lamps**

**EMERGENCY LIGHTING**

- Dual 120/77 VAC 60Hz input
- Solid state charging and transfer circuitry (no relays are used)
- Two step charger, temperature compensated
- Circuit is battery short circuit and reverse polarity protected and brownout protected
- Low voltage disconnect
- Meets or exceeds all current UL requirements and applicable sections of the Life Safety Code
- Standard finish, white powder coat
- Housing fabricated with 20 gauge cold rolled steel
- Universal mounting KO's provided
- Battery: Sealed maintenance-free long life lead calcium
- Local 3 IBEW
- Available in black

**ORDERING INFORMATION - NATIONAL**

Catalog No.	Capacity in Watts (Hours)				No. Heads	Watts per Head	Max Remote Heads	Replacement Lamp	Dimensions - (mm)				Ship Wt.
	1.5	2	3	4					A	B	C	D	
<b>6 VOLT</b>													
<b>6AC10</b>	10	--	--	--	2	5.4	--	6RW5	9 15/16"	13 3/8"	2 7/16"	4 15/16"	6
									(252)	(340)	(62)	(125)	

**OPTIONS AND ACCESSORIES**

**ACCESSORIES**

Description	Code
Cord Sets	
120 Volt	3 CP
277 Volt (Specify male plug type)	3 OP
Wire Guards (Consult factory)	See page 49

**OPTIONS: Add to Catalog No.**

Description	Code
Laser Option Installed	L*
Laser Option Installed with pointer supplied	LP*
Halogen Lamp, 6Volt 6Watt	6HB6

\* See page 49

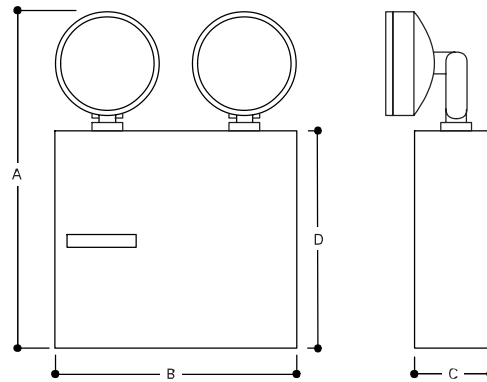
# EMERGENCY LIGHTING

**ATLITE®**

## DESCRIPTION

The A Commercial Series is an efficient, rugged, commercial grade product designed for the demands of emergency lighting applications. Available in both 6V and 12V models, in a standard white powder coat finish that blends in anywhere. Many options allow customization to fit your specific needs.

## DIMENSIONS



## A COMMERCIAL

Steel Emergency Unit  
Incandescent Lamps

## EMERGENCY LIGHTING

### ORDERING INFORMATION - NEW YORK CITY

Catalog No.	Capacity in Watts (Hours)				No. Heads	Watts per Head	Max Remote Heads	Replacement Lamp	Dimensions - (mm)				Ship Wt.
	1.5	2	3	4					A	B	C	D	
<b>6 VOLT</b>													
6ACNY1	27	--	--	--	2	12	--	6RW12	14"	10"	2 5/8"	9"	13
									(355)	(254)	(67)	(229)	
6ACNY4	54	44	--	--	2	12	2	6RW12	14"	13"	2 5/8"	9"	19
									(355)	(330)	(67)	(229)	
6ACNY5	100	75	50	--	2	12	6	6RW12	14"	13"	4 1/8"	9"	22
									(355)	(330)	(165)	(229)	
6ACNY5-3	100	75	50	--	3	12	5	6RW12	14"	13"	4 1/8"	9"	23
									(355)	(330)	(165)	(229)	
<b>12 VOLT</b>													
12ACNY2	27	--	--	--	2	12	--	12RW12	14"	10"	2 5/8"	9"	14
									(355)	(254)	(67)	(229)	
12ACNY3-3	36	--	--	--	3	12	--	12RW12	14"	13"	2 5/8"	9"	17
									(355)	(330)	(67)	(229)	
12ACNY4	54	44	--	--	2	12	2	12RW12	14"	13"	2 5/8"	9"	19
									(355)	(330)	(67)	(229)	
12ACNY4-3	54	--	--	--	3	12	1	12RW12	14"	13"	2 5/8"	9"	20
									(355)	(330)	(67)	(229)	
12ACNY5	100	75	50	45	2	12	6	12RW12	14"	13"	4 1/8"	9"	22
									(355)	(330)	(165)	(229)	
12ACNY5-3	100	--	--	--	3	12	5	12RW12	14"	13"	4 1/8"	9"	23
									(355)	(330)	(165)	(229)	

### ORDERING INFORMATION - NATIONAL

Catalog No.	Capacity in Watts (Hours)				No. Heads	Watts per Head	Max Remote Heads	Replacement Lamp	Dimensions - (mm)				Ship Wt.
	1.5	2	3	4					A	B	C	D	
<b>6 VOLT</b>													
6AC27	27	22	18	--	2	9	--	6RW9	14"	10"	2 5/8"	9"	13
									(355)	(254)	(67)	(229)	
6AC54	54	44	36	--	2	9	4	6RW9	14"	13"	2 5/8"	9"	19
									(355)	(330)	(67)	(229)	
6AC100	100	75	50	45	2	9	9	6RW9	14"	13"	4 1/8"	9"	22
									(355)	(330)	(165)	(229)	
<b>12 VOLT</b>													
12AC54	54	44	36	--	2	9	4	12RW9	14"	13"	2 5/8"	9"	19
									(355)	(330)	(67)	(229)	
12AC100	100	75	50	45	2	9	9	12RW9	14"	13"	4 1/8"	9"	22
									(355)	(330)	(165)	(229)	

### OPTIONS AND ACCESSORIES

#### OPTIONS: Add to Catalog No.

Description	Code
No heads	0
One head	1
Three heads	3
Voltmeter <sup>(1)</sup>	V
Ammeter <sup>(1)</sup>	A
Time Delay	TD
Non standard voltages (consult factory)	
Laser Option Installed	L <sup>(2)</sup>
Laser Option installed with pointer supplies	LP <sup>(2)</sup>
New York City approved	NY

#### HALOGEN LAMP OPTIONS:<sup>(3)</sup>

\*only available with OS Head see page 36

Unit	Watt Lamp only	Replacement Lamp No.
6 Volt (all units)	12	6 HB 12*
12 Volt (all units)	12	12 HB 12*

#### ACCESSORIES

Description	Code
Cord Sets	
120 Volt	3 CP
277 Volt (specify male plug type)	3 OP
Mounting bracket (specify model to be used with)	MBI
Mounting shelf (specify model to be used with)	MS
Wire Guards (consult factory)	See page 49
Remote Fixtures	
To order, see remote fixtures section	

NOTES: N.Y.B.S.A. Calendar (approval) #34013.

<sup>(1)</sup>Units may not be equipped with a voltmeter and ammeter at the same time.

<sup>(2)</sup>See page 49

<sup>(3)</sup>When using halogen lamps, total connected lamp load must be at least 80% of 90 min. rating, or premature lamp failure may occur.

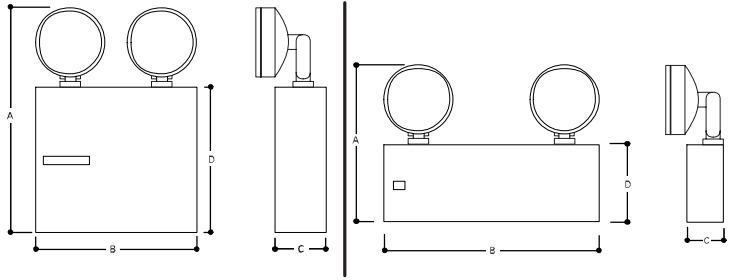
- Dual 120/277 VAC 60Hz input
- "Self Check" Diagnostics
- Solid state charging and transfer circuitry (no relays are used)
- Two step charger, temperature compensated
- Brownout protected
- Line latched transfer circuit, output is electronically short circuit and overload protected
- Low voltage disconnect
- Meets or exceeds all current UL requirements and applicable sections of the Life Safety Code
- Standard finish, white powder coat, housing fabricated with 20 gauge cold rolled steel
- Universal mounting KO's provided
- Battery: Sealed maintenance-free long life lead calcium
- Local 3 IBEW
- Available in black



### DESCRIPTION

The B Budget Series allows the choice of a variety of sizes to fit into many different installation plans. This low-cost, solid state lighting system has applications in industrial, commercial and institutional settings. Ideal where minimum product cost is demanded without sacrificing dependability.

### DIMENSIONS



## B BUDGET

Steel Emergency Unit Incandescent Lamps

### EMERGENCY LIGHTING

- Dual 120/277 VAC 60Hz input
- Solid state charging and transfer circuitry (no relays are used)
- Two step charger, temperature compensated
- Circuit is battery short circuit and reverse polarity protected
- Brownout protected, line latched transfer circuit, output is electronically short circuit and overload protected – no fuses required
- Low voltage battery disconnect
- Meets or exceeds all current UL requirements and applicable sections of the Life Safety Code
- Standard finish, white powder coat, housing fabricated with 20 gauge cold rolled steel
- Universal mounting KO's and key holes provided
- Battery: Sealed maintenance-free long life lead calcium
- Local 3 IBEW
- Available in black

### ORDERING INFORMATION - NEW YORK CITY

Catalog No.	Capacity in Watts (Hours)				No. Heads	Watts per Head	Max Remote Heads	Replacement Lamp	Dimensions - (mm)				Ship Wt.
	1.5	2	3	4					A	B	C	D	
<b>6 VOLT</b>													
6BCNY1	27	22	18	--	2	12	--	6RW12	14"	10"	2 5/8"	9"	6
6BCNY18	18	15	--	--	2	9	--	6RW9	14"	10"	2 5/8"	9"	10
<b>12 VOLT</b>													
12BCNY2	27	22	18	--	2	12	--	12RW12	14"	10"	2 5/8"	9"	13
12BCNY3-3	36	--	--	--	3	12	--	12RW12	14"	13"	2 5/8"	9"	17
12BCNY4	54	44	--	--	2	12	2	12RW12	14"	13"	2 5/8"	9"	19
12BCNY4-3	54	--	--	--	3	12	1	12RW12	14"	13"	2 5/8"	9"	20

### ORDERING INFORMATION - NATIONAL

Catalog No.	Capacity in Watts (Hours)				No. Heads	Watts per Head	Max Remote Heads	Replacement Lamp	Dimensions - (mm)				Ship Wt.
	1.5	2	3	4					A	B	C	D	
<b>6 VOLT</b>													
6BC10 <sup>(1)</sup>	10	--	--	--	2	5.4	--	6RW5	9 15/16"	13 3/8"	2 7/16"	4 15/16"	6
6BC15 <sup>(1)</sup>	15	--	--	--	2	7.2	--	6RW7	9 15/16"	13 3/8"	2 7/16"	4 15/16"	8
6BC18 <sup>(1)</sup>	18	15	--	--	2	9	--	6RW9	14"	10"	2 5/8"	9"	10
6BC27	27	22	18	--	2	9	--	6RW9	14"	10"	2 5/8"	9"	13
<b>12 VOLT</b>													
12BC54	54	44	36	--	2	12	2	12RW12	14"	13"	2 5/8"	9"	19

<sup>(1)</sup>NOTE: No options available

### OPTIONS AND ACCESSORIES

#### OPTIONS: Add to Catalog No.

Description	Code
No heads	0
One head	1
Three heads	3
Voltmeter <sup>(2)</sup>	V
Ammeter <sup>(2)</sup>	A
Time Delay	TD
Non standard voltages (consult factory)	
Laser Option Installed	L*
Laser Option installed with pointer supplied	LP*
New York City Approved	NY

<sup>(2)</sup>Units may **not** be equipped with a voltmeter and ammeter at the same time.  
\* See page 49  
Note: N.Y.B.S.A. Calendar (approval) #34013

#### OPTIONS: Add to Catalog No.

#### HALOGEN LAMP OPTIONS:

\*only available with OS Head see page 36

Unit	Watt Lamp only	Replacement Lamp no.
6 Volt (all units)	12	6 HB 12*
12 Volt (all units)	12	12 HB 12*

Note: When using halogen lamps, total connected lamp load must be at least 80% of 90 min. rating, or premature lamp failure may occur.

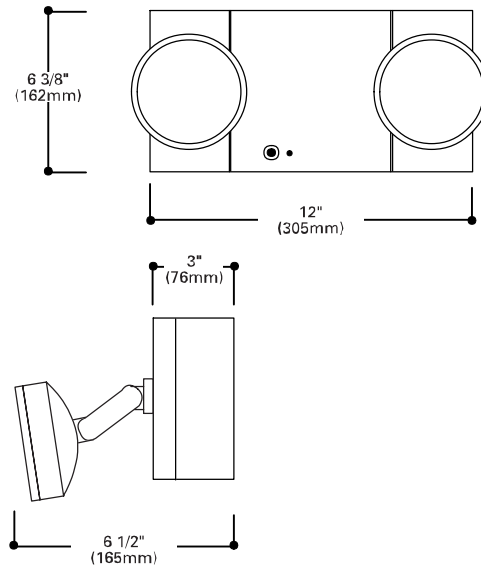
#### ACCESSORIES

Description	Code
Cord Sets	
120 Volt	3 CP
277 Volt (specify male plug type)	3 OP
Mounting bracket (specify model to be used with)	MB1
Mounting shelf (specify model to be used with)	MS
Note: MB1 and MS are not available on Catalog #6BC10 and 6BC15	
Wire Guards (consult factory)	See page 49
Remote Fixtures	To order, see remote fixtures section

## DESCRIPTION

The CB6 High Series has big power that fits in small places. The large PAR36 type lighting heads are front-mounted, so the unit can be placed up at the ceiling. Your choice of 2 or 3 adjustable lighting heads with halogen lamps. Available options make the CB6 High a very complete emergency light unit that fits in very little space.

## DIMENSIONS



## CB6 High

Steel Emergency Unit  
Incandescent Lamps

## EMERGENCY LIGHTING

### ORDERING INFORMATION - NEW YORK CITY

### ORDERING INFORMATION - NATIONAL

Catalog No.	Capacity in Watts (Hours)				No. Heads	Watts per Head	Lamp Type	Replacement Lamp	Self Diagnostic	Ship Wt.
	1.5	2	3	4						
<b>6 VOLT</b>										
CB6	27	24	18	14	2	12	Incandescent	6RW12	No	13
CB6-54	54	36	27	18	2	12	Incandescent	6RW12	No	13
CB6-54-3	54	36	27	18	3	12	Incandescent	6RW12	No	13
CA6	27	24	18	14	2	12	Incandescent	6RW12	Yes	13
CA6-54	54	36	27	18	2	12	Incandescent	6RW12	Yes	13
CA6-54-3	54	36	27	18	3	12	Incandescent	6RW12	Yes	13
<b>12 VOLT</b>										
CB12	27	22	18	--	2	12	Incandescent	12RW12	No	14
CB12-54	54	36	27	18	2	12	Incandescent	12RW12	No	14
CB12-54-3	54	36	27	18	3	12	Incandescent	12RW12	No	14
CA12	27	22	18	--	2	12	Incandescent	12RW12	Yes	14
CA12-54	54	36	27	18	2	12	Incandescent	12RW12	Yes	14
CA12-54-3	54	36	27	18	3	12	Incandescent	12RW12	Yes	14

## OPTIONS AND ACCESSORIES

OPTIONS: Add to Catalog No.

Description	Code
Voltmeter <sup>(1)</sup>	V
Ammeter <sup>(1)</sup>	A
Time Delay	TD
Laser Option Installed	L*
Laser Option installed with pointer supplied	LP*
12 Volt Operation	12
Diagnostic Option	CA6

<sup>(1)</sup>Units may not be equipped with a voltmeter and ammeter at the same time.

\* See page 49

Note: N.Y.B.S.A. Calendar (approval) #34013

### HALOGEN LAMP OPTIONS:

\*only available with OS Head see page 36

Unit	Watt Lamp only	Replacement Lamp no.
6 Volt (all units)	12	6 HB 12*
6 Volt (all units)	20	6 HB 20*

### ACCESSORIES

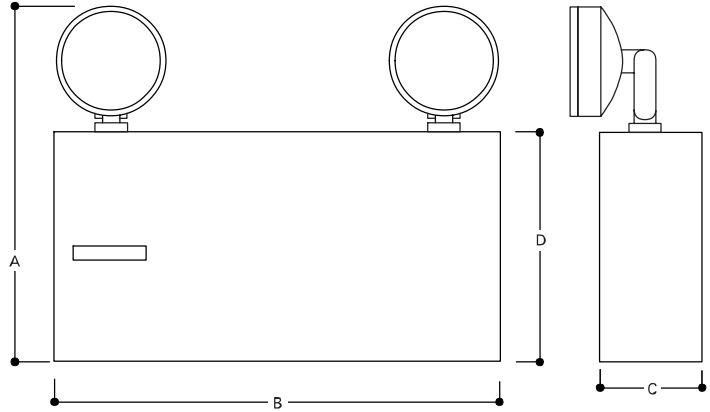
Wire Guards	See page 49
-------------	-------------

- Dual 120/277 VAC 60Hz input
- Line latching, solid state voltage regulated charger, low voltage disconnect, brownout circuit, short circuit and reverse polarity protection, test switch/power indicator light
- Sturdy, impact-resistant steel housing
- Universal mounting knockout pattern
- PAR36 type halogen heads with glare-free lens and fully adjustable lamp housing available
- Sealed maintenance-free long life lead calcium battery
- Complies with UL 924, Life Safety NFPA 101, CSA certified, NEC/OSHA, most state and local codes
- Local 3 IBEW
- Standard white powder coat finish, available in black

### DESCRIPTION

The H Industrial Series provides a durable solid-state emergency lighting system for application in industrial and heavy duty commercial facilities. Get reliable performance and freedom from maintenance, and choose from many available options and accessories to customize the installation.

### DIMENSIONS



## H Industrial

Steel Industrial Grade  
Emergency Unit  
Incandescent Lamps

### EMERGENCY LIGHTING

- Dual 120/277 VAC 60 Hz input
- Solid state charging and transfer circuitry (no relays are used)
- Two step charger, temperature compensated
- Circuit is battery short circuit and reverse polarity protected
- Brownout protected, line latch transfer circuit
- Output is electronically short circuit and overload protected
- Low voltage disconnect
- Meets or exceeds all current UL requirements and applicable sections of the Life Safety Code
- Standard finish, white powder coat
- Housing fabricated with 18 gauge cold rolled steel.
- Key hole knockouts provided
- 6 or 12 volt long life, maintenance-free, sealed lead calcium battery
- Local 3 IBEW

### ORDERING INFORMATION - NEW YORK CITY

Catalog No.	Capacity in Watts (Hours)				No. Heads	Watts per Head	Max Remote Heads	Replacement Lamp	Dimensions - (mm)				Ship Wt.
	1.5	2	3	4					A	B	C	D	
<b>6 VOLT</b>													
6HCNY7	200	150	100	90	2	12	--	6RW12	14"	18 5/8"	4"	9"	38
									(355)	(473)	(102)	(229)	
<b>12 VOLT</b>													
12HCNY7	200	150	100	90	2	12	--	12RW12	14"	18 5/8"	4"	9"	38
									(355)	(473)	(102)	(229)	
12HCNY8	300	225	150	135	2	12	--	12RW12	14"	18 5/8"	7 1/2"	9"	64
									(355)	(473)	(191)	(229)	
12HCNY9	400	300	200	180	2	12	--	12RW12	14"	18 5/8"	7 1/2"	9"	74
									(355)	(473)	(191)	(229)	

### ORDERING INFORMATION - NATIONAL

Catalog No.	Capacity in Watts (Hours)				No. Heads	Watts per Head	Max Remote Heads	Replacement Lamp	Dimensions - (mm)				Ship Wt.
	1.5	2	3	4					A	B	C	D	
<b>6 VOLT</b>													
6HC200	200	150	100	90	2	9	--	6RW9	14"	18 5/8"	4"	9"	38
									(355)	(473)	(102)	(229)	
<b>12 VOLT</b>													
12HC200	200	150	100	90	2	9	--	12RW9	14"	18 5/8"	4"	9"	38
									(355)	(473)	(102)	(229)	
12HC300	300	225	150	135	2	9	--	12RW9	14"	18 5/8"	7 1/2"	9"	64
									(355)	(473)	(191)	(229)	
12HC400	400	300	200	180	2	9	--	12RW9	14"	18 5/8"	7 1/2"	9"	74
									(355)	(473)	(191)	(229)	

### OPTIONS AND ACCESSORIES

#### OPTIONS: Add to Catalog No.

Description	Code
No heads	0
One head	1
Three heads	3
Voltmeter <sup>(1)</sup>	V
Ammeter <sup>(1)</sup>	A
Time Delay	TD
Laser Option Installed	L*
Laser Option installed with pointer supplied	LP*
New York City Approved	NY

\* See page 49

Non standard voltages (consult factory)

<sup>(1)</sup>Units may not be equipped with a voltmeter and ammeter at the same time.

Notes: N.Y.B.S.A. Calendar (approval) #34013  
MS included on 300w and 400w models.

#### HALOGEN LAMP OPTIONS:

\*only available with OS Head see page 36

Unit	Watt Lamp only	Replacement Lamp no.
6 Volt (all units)	12	6 HB 12*
12 Volt (all units)	12	12 HB 12*

Note: When using halogen lamps, total connected lamp load must be at least 80% of 90 min. rating, or premature lamp failure may occur.

#### ACCESSORIES

Description	Code
Cord Sets	
120 Volt	3 CP
277 Volt (specify male plug type)	3 OP
Mounting bracket (specify model to be used with)	MBI
Mounting shelf (specify model to be used with)	MS
Wire Guards (consult factory)	See page 49
Remote Fixtures	
To order, see remote fixtures section	



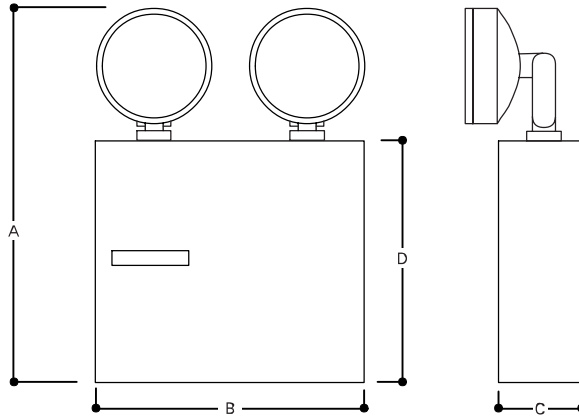
# EMERGENCY LIGHTING

**ATLITE®**

## DESCRIPTION

The AN Specification Series meets the standards of architectural requirements while providing many options and accessories to customize any installation.

## DIMENSIONS



## AN Specification

**Steel Specification  
Grade  
Emergency Unit  
Incandescent Lamps**

## EMERGENCY LIGHTING

ORDERING INFORMATION - NEW YORK CITY						ORDERING INFORMATION - NATIONAL							
Catalog No.	Capacity in Watts (Hours)				No. Heads	Watts per Head	Max Remote Heads	Replacement Lamp	Dimensions - (mm)				Ship Wt.
	1.5	2	3	4					A	B	C	D	
<b>6 VOLT</b>													
6AN25	25	20	14	10	2	12	--	6RW12	14"	10"	2 5/8"	9"	13
									(355)	(254)	(67)	(229)	
<b>12 VOLT</b>													
12AN50	50	36	25	10	2	12	--	12RW12	14"	13"	2 5/8"	9"	15
									(355)	(330)	(67)	(229)	
12AN72	72	60	50	36	2	12	--	12RW12	14"	13"	2 5/8"	9"	22
									(355)	(330)	(67)	(229)	

## OPTIONS AND ACCESSORIES

ACCESSORIES	
Description	Code
Cord Sets	
120 Volt	3 CP
277 Volt (Specify male plug type)	0 CP
Mounting Bracket	MB
Mounting Shelf	MS
Wire Guards	GXBW

OPTIONS: Add to Catalog No.	
Description	Code
No heads	0
One head	1
Three heads	3
Voltmeter	V
Time Delay	TD
New York City Approved	NY
Laser Option Installed	L*
Laser Option installed with pointer supplied LP*	
Halogen Lamp, 6 Volt 12 Watt	6HB12
Halogen Lamp, 12 Volt 12 Watt	12HB12

\* See page 49

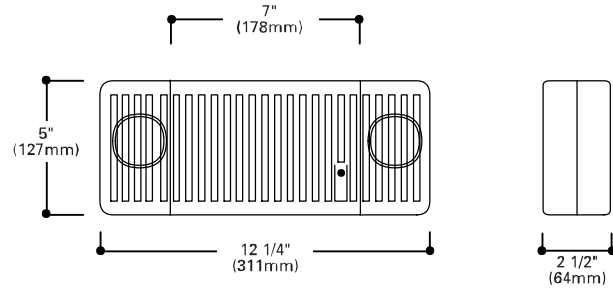
- Dual 120/277VAC 60Hz input
- Solid state charger and transfer circuitry (no relays or fuses)
- Momentary test switch; circuit is battery short circuit protected
- Brown out protection, low voltage disconnect
- 6 or 12 volt long life, maintenance-free, sealed nickel cadmium battery
- Meets or exceeds all current UL 924 requirements, and applicable sections of the Life Safety Code
- Standard finish, durable white powder coat.
- Steel units fabricated of 20 gauge steel
- Conduit knockouts and rear keyhole mounting knockouts provided
- Local 3 IBEW

## EMERGENCY LIGHTING

### DESCRIPTION

The PC1-10 Contours Series features elegant contemporary styling in a compact package. The adjustable lighting heads are enclosed in focus-enhancing compartments. Optional features provide a broad range of choices for emergency lighting.

### DIMENSIONS



## PC1-10 Contours

Polycarbonate  
Emergency Unit  
Incandescent Lamps

### EMERGENCY LIGHTING

- Dual 120/277VAC 60Hz input
- Made of high impact, mar-resistant, injection molded thermoplastic
- Two directional PAR18 incandescent gimbal type lighting heads
- 10 total watts for 1.5 hours
- Optional black finish available
- Accessorize with canopy or stem and canopy kits
- Maintenance free-lead calcium battery
- Solid state charger with emergency output short-circuit and reverse polarity protection
- AC line-latching
- Temperature compensated
- Brownout circuit
- Low battery voltage circuit
- Meets UL 924 requirements

### ORDERING INFORMATION - NATIONAL

Catalog No.	Operation	Optional Finish
PC1-10 <sup>(1)</sup>	Emergency Light, dual voltage, 120/277VAC, 60 Hz	BLK Black

<sup>(1)</sup>White standard finish.

### OPTIONS AND ACCESSORIES

ACCESSORIES	
Description	Code
Canopy Kits	
White	PCW
Black	PCB
6" Stem and canopy kit	PST6
12" Stem and canopy kit	PST12
Wire Guard	See page 49

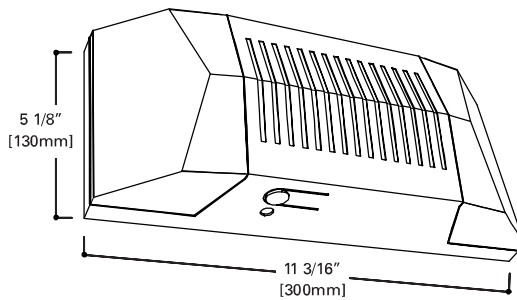
# EMERGENCY LIGHTING

**ATLITE®**

## DESCRIPTION

The PC1D10, Contours II Series Emergency Lighting Unit is the ideal choice where simple installation and a thermoplastic housing is demanded. Its contemporary round corner styling and designer finish enables it to blend with any decor. The components are injection molded from tough thermoplastic materials which resist discoloration due to age and ultraviolet radiation. The injection molded structural components are reinforced with ribs throughout. The housing and mounting plate employ snap-fit construction; the reliable and labor-saving quick connect AC connector further improves the installation time. The under 5-minute installation time of the PC1D10 Emergency Lighting Unit makes it one of the fastest installed units on the market today.

## DIMENSIONS



## PC1D10 CONTOURS II SERIES

**UL DAMP LOCATION LISTED**

**SEALED LEAD CALCIUM BATTERY**

## EMERGENCY LIGHTING

- Dual Voltage Input 120/277 VAC, 60Hz
- Line-Latching
- Brownout Circuit
- Low Voltage Disconnect
- Test Switch/Power Indicator Light
- Quick connect AC power connector facilities installation
- All components are injection molded, color stable, high impact thermoplastic material
- Designer textured finish standard
- Components are of snap-fit construction to facilitate under 5-minute installation
- Reinforcing ribs throughout to provide maximum strength
- Suitable for wall or ceiling mount applications
- Universal J-box mounting pattern
- Keyhole mounting slots
- Sealed Lead Calcium, recombination battery. Maintenance free, long life. Full recharge time:48 hrs. (max). Polarized battery terminals.
- UL 924 Listed  
UL Damp Location Listed  
Life Safety NFPA 101  
NEC/OSHA  
Most State & Local Codes
- Glare-free lens,High impact thermoplastic, Lenses are designed to distribute light forward and down towards path of egress

## ORDERING INFORMATION - NATIONAL

Catalog No.	Capacity in Watts (Hours)				No. Heads	Watts	Lamp Type	Replacement Lamp	Ship Wt.
	1.5	2	3	4					
<b>6 VOLT</b>									
PC1D10 <sup>(1)</sup>	10.8	7.2	--	--	2	5.4	Incandescent	6RW5	--

<sup>(1)</sup>White standard finish



### PC2 Polycarbonate

Polycarbonate Emergency Unit  
Incandescent Lamps

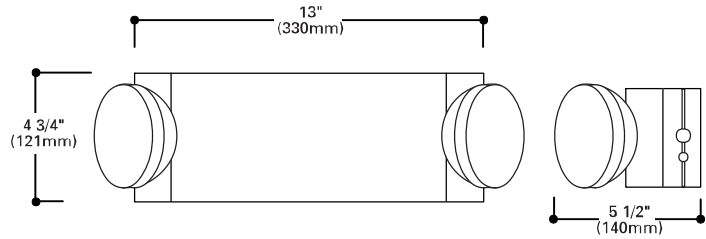
#### EMERGENCY LIGHTING

- Dual voltage input 120/277 VAC , 60Hz
- Line-latching, solid state voltage and current limited charger, solid state transfer
- Brownout circuit, low voltage disconnect, overload/short circuit protection, test switch/power indicator light
- Push-in AC power connectors facilitate installation
- Designer white textured finish standard; black finish optional
- All components are injection molded, color stable, high impact UL94-5V rated polycarbonate material
- Components are of snap-fit construction to facilitate under 2-minute installation
- Cutouts provided in housing for surface conduit attachment
- Wall or ceiling mount applications
- Universal J-box knockout pattern with keyhole knockout slots
- Sealed maintenance-free, long life lead calcium battery
- Complies with UL 924, Life Safety NFPA 101, CSA certified, Damp location listed, EC/OSHA, most state and local codes

#### DESCRIPTION

The PC2 Polycarbonate Series is the ideal choice where simple installation and a thermo-plastic housing are required. The designer white textured finish and contemporary round corner styling allow it to blend with any decor. Snap-fit construction and push-in AC connectors, giving an under 2-minute installation time, make this the fastest installed unit on the market today. Both lighting heads are fully adjustable, and a variety of battery capacities satisfies a wide range of applications , including damp locations.

#### DIMENSIONS



#### ORDERING INFORMATION - NATIONAL

Catalog No.	Capacity in Watts (Hours)				No. Heads	Watts per Head	Max Remote Heads	Lamp Type	Specify Housing for all Models
	1.5	2	3	4					
<b>6 VOLT</b>									
PC2-10	10.8	7.2	--	--	2	5.4	--	Incandescent	WH White
PC2-27	27	24	18	14	2	9 <sup>(1)</sup>	--	Incandescent	WH White

(1)9 watts available for remote use. Full load of 27 watts will run for 90 minutes

#### OPTIONS AND ACCESSORIES

##### OPTIONS: Add to Catalog No.

Description	Code
Black	BLK
Voltmeter*	V
Ammeter*	A
*(Provision for one meter only)	
Self-diagnostics	SD
Laser Option Installed	L*
Laser Option installed with pointer supplies	LP*

\* See page 49

##### ACCESSORIES

Description	Code
Wire Guard	WG-1
See page 49	

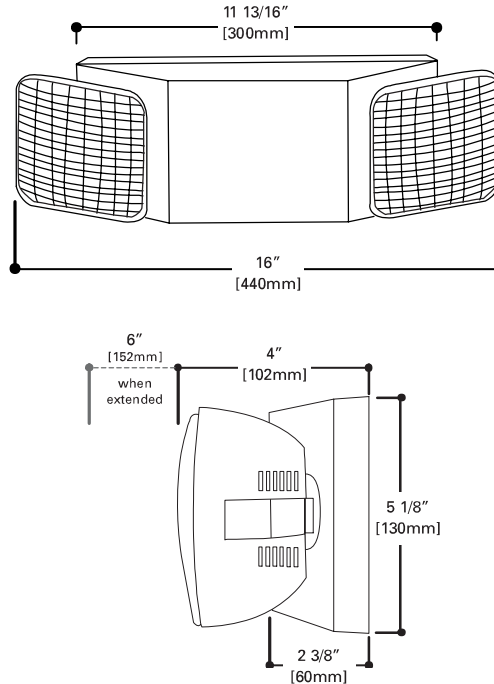
# EMERGENCY LIGHTING

**ATLITE®**

## DESCRIPTION

The PC2D10SQ, Contours II Series Emergency Lighting Unit is the ideal choice where simple installation and a thermoplastic housing is demanded. Its contemporary round corner styling and designer finish enables it to blend with any decor. The components are injection molded from tough thermoplastic materials which resist discoloration due to age and ultraviolet radiation. The injection molded structural components are reinforced with ribs throughout. The housing and mounting plate employ snap-fit construction; the reliable and labor-saving quick connect AC connector further improves the installation time. The under 5-minute installation time of the PC2D10SQ Emergency Lighting Unit makes it one of the fastest installed units on the market today. Both lighting heads are fully adjustable, insuring that light can be put where it is needed.

## DIMENSIONS



## PC2D10SQ Contours II Series

**UL Damp Location Listed  
Sealed Lead Calcium  
Battery**

### EMERGENCY LIGHTING

- Dual Voltage Input 120/277 VAC, 60Hz
- Line-Latching
- Brownout Circuit
- Low Voltage Disconnect
- Test Switch/Power Indicator Light
- Quick connect AC power connector facilitates installation
- All components are injection-molded, color stable, high impact thermoplastic material
- Designer textured finish standard
- Components are of snap-fit construction to facilitate under 5-minute installation
- Reinforcing ribs throughout to provide maximum strength
- Suitable for wall or ceiling mount applications
- Universal J-box mounting
- Keyhole mounting slots
- Sealed Lead Calcium battery
- Maintenance free, long life
- Full recharge time:48 hours (max)
- Polarized battery terminals
- UL 924 Listed  
UL Damp Location Listed  
Life Safety NFPA 101  
NEC/OSHA  
Most State & Local Codes
- Two heads standard  
Square Head Type Design  
Glare-free lens  
Fully adjustable lamp housing  
High Impact thermoplastic  
Matches housing finish

## ORDERING INFORMATION - NATIONAL

Catalog No.	Capacity in Watts (Hours)				No. Heads	Watts	Lamp Type	Replacement Lamp	Ship Wt.
	1.5	2	3	4					
<b>6 VOLT</b>									
PC2D10SQ <sup>(1)</sup>	10.8	7.2	--	--	2	5.4	Incandescent	6RW5	--

<sup>(1)</sup>White standard finish



### T RECESSED

Steel Recessed  
Emergency Unit  
Incandescent Lamps

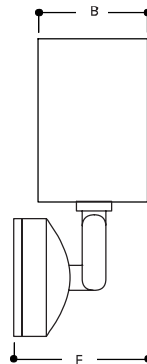
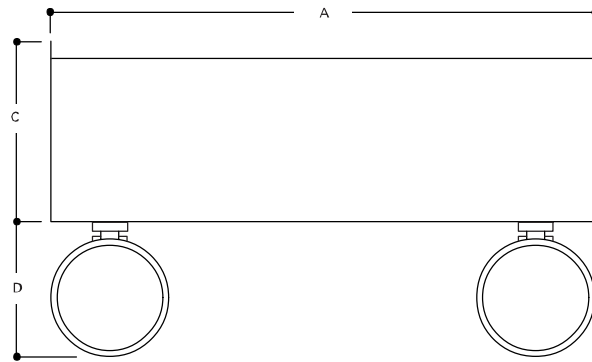
#### EMERGENCY LIGHTING

- Dual 120/277 VAC 60Hz input
- Solid state charging and transfer circuitry (no relays are used)
- Two step charger, temperature compensated
- Circuit is battery short circuit and reverse polarity protected
- Brownout protected
- Line latched transfer circuit, output is electronically short circuit and overload protected
- Low voltage disconnect
- Meets or exceeds all current UL requirements and applicable sections of the Life Safety Code
- Standard white powder coat finish, available in black
- Housing fabricated with 20 gauge cold rolled steel
- 6 or 12 volt long life, maintenance-free, sealed lead calcium battery
- Lay-in installation in T-bar grid ceiling; mounting brackets are secured to ceiling with tie wires
- Enclosure has removable cover for full access to battery and electronics
- Local 3 IBEW

#### DESCRIPTION

The T Recessed Series combines a contemporary appearance with several configuration options in a recessed unit designed to minimize overhead obstacles. The unit is ideal for locations with limited wall space and where panoramic positioning is needed for ceiling mounted lampholders to provide proper light distribution for stores, offices, hospitals and school corridors.

#### DIMENSIONS



#### ORDERING INFORMATION - NEW YORK CITY

Catalog No.	Capacity in Watts (Hours)				No. Heads	Watts per Head	Max Remote Heads	Replacement Lamp	Dimensions - (mm)					Ship Wt.
	1.5	2	3	4					A	B	C	D	E	
<b>6 VOLT</b>														
6TCNY1	27	--	--	--	2	12	--	6RW12	23 7/8"	4 3/4"	8"	6"	5 7/8"	16
	(606)	(121)	(203)	(152)	(149)									
6TCNY4	54	--	--	--	2	12	2	6RW12	23 7/8"	4 3/4"	8"	6"	5 7/8"	22
	(606)	(121)	(203)	(152)	(149)									
6TCNY5	100	--	--	--	2	12	6	6RW12	23 7/8"	4 3/4"	8"	6"	5 7/8"	24
	(606)	(121)	(203)	(152)	(149)									
<b>12 VOLT</b>														
12TCNY4	54	--	--	--	2	12	2	12RW12	23 7/8"	4 3/4"	8"	6"	5 7/8"	22
	(606)	(121)	(203)	(152)	(149)									
12TCNY5	100	--	--	--	2	12	6	12RW12	23 7/8"	4 3/4"	8"	6"	5 7/8"	24
	(606)	(121)	(203)	(152)	(149)									

#### ORDERING INFORMATION - NATIONAL

Catalog No.	Capacity in Watts (Hours)				No. Heads	Watts per Head	Max Remote Heads	Replacement Lamp	Dimensions - (mm)					Ship Wt.
	1.5	2	3	4					A	B	C	D	E	
<b>6 VOLT</b>														
6TC27	27	22	18	--	2	9	1	6RW9	23 7/8"	4 3/4"	8"	6"	5 7/8"	16
	(606)	(121)	(203)	(152)	(149)									
6TC54	54	44	36	--	2	9	4	6RW9	23 7/8"	4 3/4"	8"	6"	5 7/8"	22
	(606)	(121)	(203)	(152)	(149)									
6TC100	100	75	50	45	2	9	9	6RW9	23 7/8"	4 3/4"	8"	6"	5 7/8"	24
	(606)	(121)	(203)	(152)	(149)									
<b>12 VOLT</b>														
12TC54	54	44	36	--	2	9	4	12RW9	23 7/8"	4 3/4"	8"	6"	5 7/8"	22
	(606)	(121)	(203)	(152)	(149)									
12TC100	100	75	50	45	2	9	9	12RW9	23 7/8"	4 3/4"	8"	6"	5 7/8"	24
	(606)	(121)	(203)	(152)	(149)									

#### OPTIONS AND ACCESSORIES

OPTIONS: Add to Catalog No.

Description	Code
No heads	0
One head	1
Three heads	3
Voltmeter	V
Ammeter	A
Time Delay	TD
Non standard voltages (consult factory)	
Laser Option Installed	L*
Laser Option installed with pointer supplied	LP*
New York City Approved	NY

(2) Units may not be equipped with a voltmeter and ammeter at the same time.  
\* See page 49

#### HALOGEN LAMP OPTIONS:

\*only available with OS Head see page 36

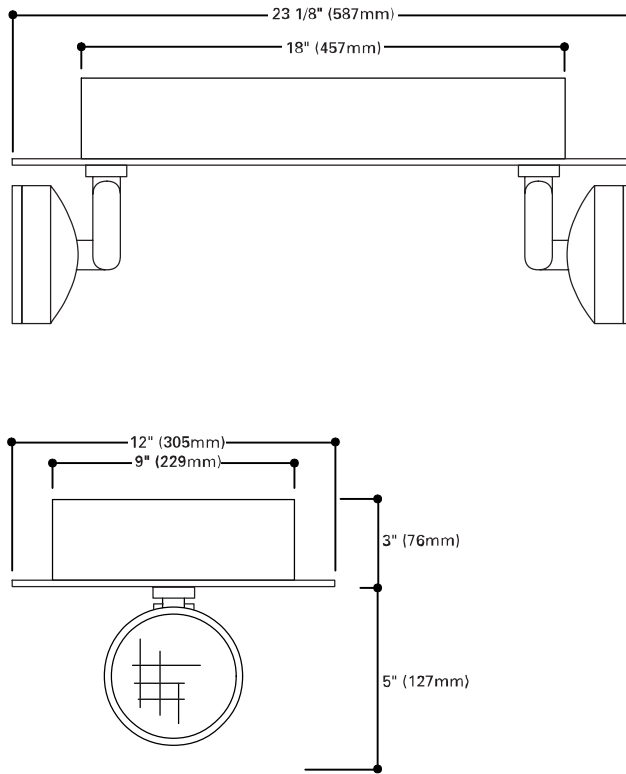
Unit	Watt Lamp only	Replacement Lamp no.
6 Volt (all units)	12	6 HB 12*
12 Volt (all units)	12	12 HB 12*

Note: When using halogen lamps, total connected lamp load must be at least 80% of 90 min. rating, or premature lamp failure may occur.

## DESCRIPTION

The ST Recessed Series is a full 6 or 12 volt system packaged in an attractive metal housing. Ideal for locations with limited height availability where the size of emergency lighting must be kept to a minimum without sacrificing dependability or light output.

## DIMENSIONS



## ST Recessed

Shallow Steel Recessed  
Emergency Unit  
Incandescent Lamps

## EMERGENCY LIGHTING

- Dual 120/277 VAC 60Hz input
- Solid state charger and transfer circuitry (no relays or fuses)
- Two step charger, temperature compensated
- Circuit is battery short circuit and reverse polarity protected
- Brownout protection, low voltage disconnect.
- 6 or 12 volt long life, maintenance-free, sealed lead calcium (standard) or nickel cadmium battery
- Meets or exceeds all current UL 924 requirements and applicable sections of the Life Safety Code
- Standard finish, durable white powder coat
- Steel units fabricated of 18 gauge steel. For lay-in installation in T-bar grid ceilings, to be secured with tie wires
- Local 3 IBEW

### ORDERING INFORMATION - NEW YORK CITY

### ORDERING INFORMATION - NATIONAL

Catalog No.	Capacity in Watts (Hours)				No. Heads	Watts per Head	Lamp Type	Replacement Lamp
	1.5	2	3	4				
<b>6 VOLT</b>								
6ST1	27	22	18	-	2	9	Incandescent	6RW9
6ST4	54	44	36	-	2	9	Incandescent	6RW9
6ST5	100	75	50	45	2	9	Incandescent	6RW9
<b>12 VOLT</b>								
12ST1	27	22	18	-	2	12	Incandescent	12RW12
12ST4	54	44	36	-	2	12	Incandescent	12RW12

## OPTIONS AND ACCESSORIES

### ACCESSORIES

Description	Code
Cord Sets	
120 Volt	3 CP
277 Volt (Specify male plug type)	0 CP

### OPTIONS: Add to Catalog No.

Description	Code
No heads	0
One head	1
Three heads	3
Four heads	4
Voltmeter	V
Time Delay	TD
New York City Approved	NY
Nickel Cadmium Battery	NC
Laser Option Installed	L*
Laser Option installed with pointer supplied	LP*

(2) Units may **not** be equipped with a voltmeter and ammeter at the same time.  
\* See page 49

### HALOGEN LAMP OPTIONS:

\*only available with OS Head see page 36

Unit	Watt Lamp only	Replacement Lamp No.
6 Volt (all units)	12	6 HB 12*
12 Volt (all units)	12	12 HB 12*

Note: When using halogen lamps, total connected lamp load must be at least 80% of 90 min. rating, or premature lamp failure may occur.



### ROB Recessed Oblong

Steel Recessed  
Emergency Unit  
Incandescent Lamps

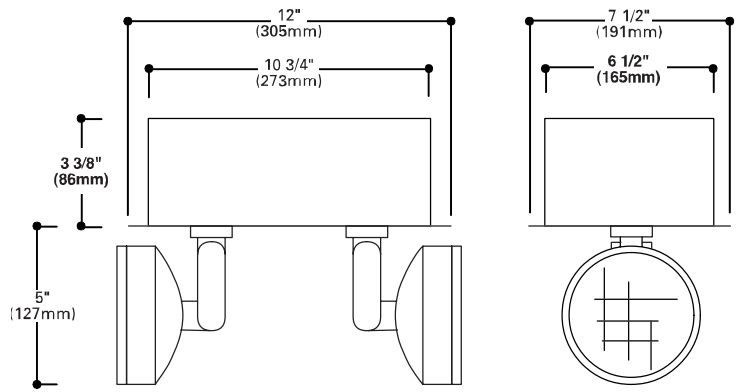
#### EMERGENCY LIGHTING

- Dual 120/277 VAC 60Hz input
- Solid state charging and transfer circuitry (no relays are used)
- Two step charger, temperature compensated
- Battery short circuit and reverse polarity protected
- Brownout protected; line latched transfer circuit
- Output is electronically short circuit and overload protected – no fuses required.
- Low voltage disconnect
- Meets or exceeds all current UL 924 requirements and applicable sections of the Life Safety Code
- Standard finish, durable white powder coat
- Housing fabricated with 20 gauge cold rolled steel
- Sealed maintenance-free long life lead calcium (standard) or nickel cadmium battery
- Mounting brackets supplied
- 18" and 27" rigid mounting bars available
- Recesses in ceiling or wall
- Local 3 IBEW

#### DESCRIPTION

The ROB Recessed Oblong Series is smaller than most recessed units, making it ideal for locations with limited space; it can be recessed into either walls or ceilings. Wedge base lamps are standard, with halogen bi-pin lamps available on request. Mounting brackets are supplied to facilitate installation.

#### DIMENSIONS



#### ORDERING INFORMATION - NEW YORK CITY

Catalog No.	Capacity in Watts (Hours)				No. Heads	Watts per Head	Lamp No.	Lamp Description	Ship Wt.
	1.5	2	3	4					
<b>6 VOLT</b>									
<b>6ROB10</b>	10	--	--	--	2	5.4	6RW5	Incandescent Wedge Base	6
<b>12 VOLT</b>									
<b>12ROB24</b>	24	--	--	--	2	12	12RW12	Incandescent Wedge Base	7

Note: Halogen Bi-Pin lamp available on request.  
Option: Nickel Cadmium battery, add **NC**.

#### OPTIONS AND ACCESSORIES

OPTIONS: Add to Catalog No.

Description	Code
Laser Option Installed	L*
Laser Option installed with pointer supplied	LP*

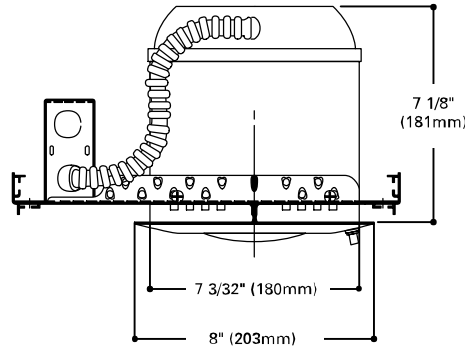
\* See page 49



## DESCRIPTION

The RG Recessed Gimbal Series is perfect for commercial or architectural applications where the aesthetics of a fully recessed unit are essential. The slim profile is ideal for low ceilings and blends inconspicuously with existing recessed installations.

## DIMENSIONS



## RG Recessed Gimbal

Steel Recessed  
Emergency Unit  
Incandescent Lamps

### EMERGENCY LIGHTING

#### ORDERING INFORMATION - NEW YORK CITY

#### ORDERING INFORMATION - NATIONAL

Catalog No.	Capacity in Watts (Hours)				Watts	Lamp No.	Lamp Description	Ship Wt.
	1.5	2	3	4				
<b>6 VOLT</b>								
6RG10	10	--	--	--	10	6HS10	Halogen PAR36 Sealed Beam	6
6RG25	25	--	--	--	25	--	Halogen PAR36 Sealed Beam	9

#### OPTIONS AND ACCESSORIES

OPTIONS: Add to Catalog No.

Description	Code
Adjustable bars	AB1

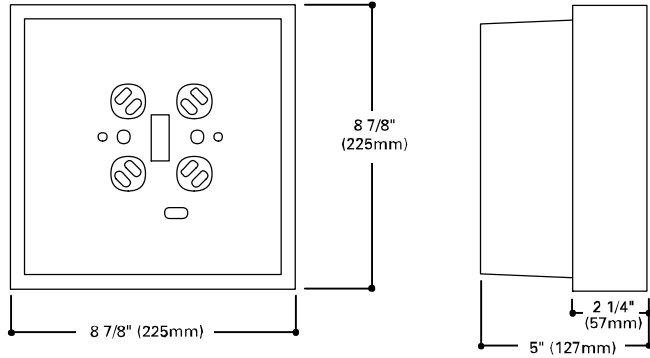
- Dual 120/277VAC 60Hz input
- Solid state charging and transfer circuitry (no relays are used)
- Two step charger, temperature compensated
- Circuit is battery short circuit and reverse polarity protected
- Brownout protected; line latched transfer circuit
- Output is electronically short circuit and overload protected – no fuses required
- Low voltage disconnect
- Meets or exceeds all current UL924 requirements and applicable sections of the Life Safety Code
- Standard finish, durable white powder coat
- Both trim and housing are constructed of 20 gauge steel
- Sealed maintenance-free long life lead calcium battery
- Mounting ring supplied; assorted bars available – see options
- Local 3 IBEW

**DESCRIPTION**

**DIMENSIONS**



The RSQ Recessed Square Series provides a decorative unit combined with a low-profile recessed design, ideal for illuminating stairways, doorways and offices. Halogen bi-pin lamps are standard. Mounting brackets are supplied to facilitate installation.



**RSQ**  
**Recessed Square**

**Steel Recessed  
Emergency Unit  
Incandescent Lamps**

**EMERGENCY LIGHTING**

- Dual 120/277VAC 60Hz input
- Solid state charging and transfer circuitry (no relays are used)
- Two step charger, temperature compensated
- Circuit is battery short circuit and reverse polarity protected
- Brownout protected
- Line latched transfer circuit, output is electronically short circuit and overload protected
- Low voltage disconnect
- Meets or exceeds all current UL924 requirements and applicable sections of the Life Safety Code
- Standard finish, durable white powder coat; housing fabricated with 20 gauge cold rolled steel
- Mounting brackets supplied
- Sealed maintenance-free long life lead calcium battery
- Local 3 IBEW

**ORDERING INFORMATION - NEW YORK CITY**      **ORDERING INFORMATION - NATIONAL**

Catalog No.	Capacity in Watts (Hours)				Watts	Lamp No.	Lamp Description	Remote Cap. (watts)
	1.5	2	3	4				
<b>6 VOLT</b>								
<b>6RSQ10</b>	10	--	--	--	10	6HB10	Halogen Bi-Pin	--
<b>6RSQ27</b>	27	--	--	--	10	6HB10	Halogen Bi-Pin	17

**OPTIONS AND ACCESSORIES**

**OPTIONS: Add to Catalog No.**

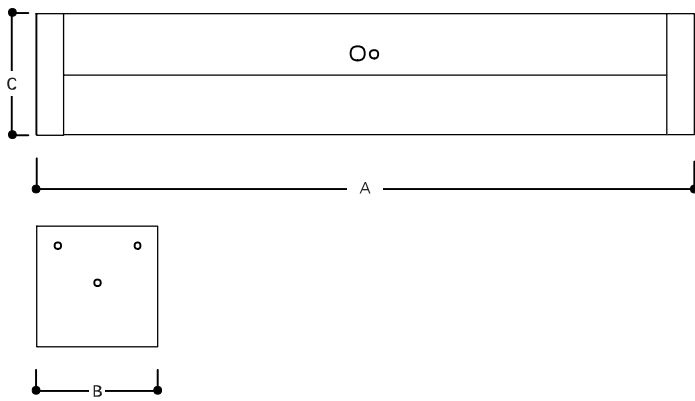
Description	Code
Adjustable bars	AB1
Recessed Frame-In Kit	RFK-1

Note: Unit may be surface mounted with no additional hardware

# EMERGENCY LIGHTING

**ATLITE®**

## DIMENSIONS



## DESCRIPTION

The FTP Tamperproof Series provides peace of mind and a safeguard for fluorescent fixtures. Steel and polycarbonate components combine to allow sufficient light output with a high level of tamperproof protection.



## FTP Tamperproof

**Tamper Proof  
Surface Mount  
Emergency Unit  
Fluorescent Lamps**

## EMERGENCY LIGHTING

### ORDERING INFORMATION - NEW YORK CITY

### ORDERING INFORMATION - NATIONAL

Catalog No.	No. of Lamps	Watts/Lamp	Dimensions - (mm)		
			A	B	C
FTP-1-17-120	1	17	24 1/2" (622)	4 1/2" (114)	4 1/2" (114)
FTP-2-17-120	2	17	48 1/2" (1232)	4 1/2" (114)	4 1/2" (114)
FTP-1-32-120	1	32	24 1/2" (622)	4 1/2" (114)	4 1/2" (114)
FTP-2-32-120	2	32	48 1/2" (1232)	4 1/2" (114)	4 1/2" (114)
FTP-1-20-120	1	20	24 1/2" (622)	4 1/2" (114)	4 1/2" (114)
FTP-1-20-277	1	20	24 1/2" (622)	4 1/2" (114)	4 1/2" (114)
FTP-2-20-120	2	20	24 1/2" (622)	4 1/2" (114)	4 1/2" (114)
FTP-2-20-277	2	20	24 1/2" (622)	4 1/2" (114)	4 1/2" (114)
FTP-1-40-120	1	40	48 1/2" (1232)	4 1/2" (114)	4 1/2" (114)
FTP-1-40-277	1	40	48 1/2" (1232)	4 1/2" (114)	4 1/2" (114)
FTP-2-40-120	2	40	48 1/2" (1232)	4 1/2" (114)	4 1/2" (114)
FTP-2-40-277	2	40	48 1/2" (1232)	4 1/2" (114)	4 1/2" (114)

Note: Units are not supplied with lamps.

- Fully automatic solid state charger; automatic transfer relay energizes lamp instantaneously upon failure of normal AC power
- External test switch and pilot light supplied
- Surface mounting
- Sealed maintenance-free long life nickel cadmium battery
- High-impact polycarbonate lens
- Housing constructed of 16 gauge steel
- Unit is tamperproof and vandal-resistant
- Battery provides emergency power to one lamp for 90 minutes
- T12 or T8 fluorescent lamp technology
- Local 3 IBEW



### SL Stairlite

Stairwell Lighting and  
Emergency System  
Fluorescent Lamps

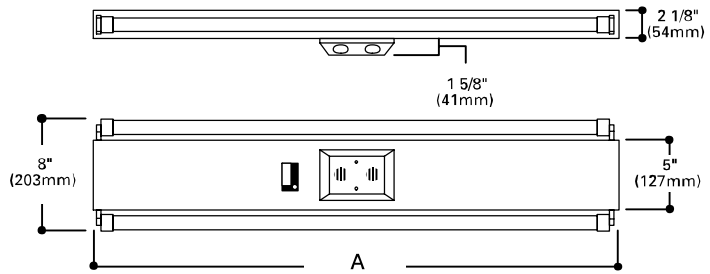
#### EMERGENCY LIGHTING

- Choice of Input Voltage, 120 or 277 VAC, 60Hz
- Fully automatic, self-test ultrasonic motion detector
- Solid-state Status Indicator Display System with an AC power indicator
- Fully automatic emergency charger is solid-state
- Sealed, maintenance-free nickel cadmium battery
- Formed 20 gauge steel housing and cover plate construction
- Durable powder coat white finish standard
- Variety of electrical and mounting knockouts for a easy installation
- T8 Fluorescent Technology in 17, 25 and 32 watts (Lamps not included)
- Single two-lamp electronic ballast
- Meets or exceeds all current UL924 requirements, Life Safety Code, NFPA 101, NEC/OSHA and most state and local codes
- Local 3 IBEW
- Bi-Level option provides 1 lamp illumination at all times

#### DESCRIPTION

The StairLite System is designed to satisfy all stairwell lighting requirements in one easy-to-install package. It is designed for use in stairwells or any other area of a building where the occupancy level or usage factor would be considered minimal. StairLite consists of a surface mounted, two lamp fluorescent lighting fixture that incorporates an integrally mounted ultrasonic motion detector, a system display panel, and most models have full battery backup. The E4, E7, and E9 versions will enhance the usefulness, safety, and reliability of any emergency lighting system. Standard with Acrylic Lenses.

#### DIMENSIONS



A	
SLA	25" (635mm)
SLB	37" (940mm)
SLC	49" (1245mm)

#### ORDERING INFORMATION - NEW YORK CITY

#### ORDERING INFORMATION - NATIONAL

##### Catalog No.

Prefix	Operation	Lamp Type & Size	Input Voltage
SL	AC AC Only	A (2) Two Foot lamps F017T8	120 120VAC 60Hz
	E4 Emergency: 450 Lumens	B (2) Three Foot Lamps F025T8	277 277VAC 60Hz
	E7 Emergency: 700 Lumens	C (2) Four Foot Lamps F032T8	
	E9 Emergency: 950 Lumens		

#### OPTIONS AND ACCESSORIES

##### OPTIONS: Add to Catalog No.

Description	Code
Less motion detector	LM
Surface J box support kit	SJ
Bi-Level Lamp Operation	BL

Note: NYC approved for use in stairwells.

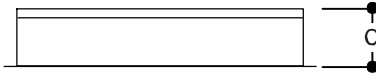
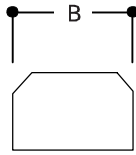
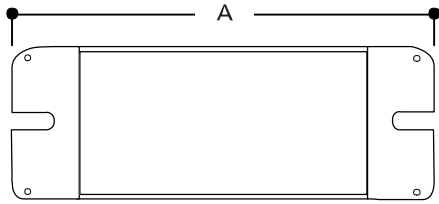
Department of Buildings approval #53-95-S.

NYSBA Calendar (approval) #37307

# EMERGENCY LIGHTING

**ATLITE®**

## DIMENSIONS



## DESCRIPTION

The FP Battery Series converts any new or existing fluorescent fixture into emergency lighting. It can eliminate the need for conventional emergency lighting units, thus improving the aesthetics of a space.



## FP Battery Pack

Battery Back-up  
Emergency Unit  
Fluorescent Lamps

## EMERGENCY LIGHTING

### ORDERING INFORMATION - NEW YORK CITY

### ORDERING INFORMATION - NATIONAL

Catalog No.	Lamps Operated in Emergency Mode	Emergency Run Tim	Emergency Lumen Output	Dimensions - (mm)		
				A	B	C
FP30	1 or 2 Lamps, T8/T12	90	1450 - 3500	16 5/16" (127)	5 7/16" (56)	1 3/4" (44)
FP94	1 Lamp, 6-42W, 4 Pin with Flex	90	750	9 3/8" (238)	2 3/8" (60)	1 1/2" (38)
FP450	1 Lamp 2' - 4' (20W - 40W), T8/T12	90	450	9 3/8" (238)	2 3/8" (60)	1 1/2" (38)
FP550	1 Lamp T5 (14W - 54W)	90	390 - 700	18 1/2" (470)	1.18" (30)	1.18" (30)
FP1100	1 Lamp 2' - 8' (20W - 215W), T8/T12	90	1100	9 3/8" (238)	2 3/8" (60)	1 1/2" (38)
	2 Lamp 2' - 4' (20W - 40W), T8/T12					
FP1500	1 Lamp Compact Fluorescent 5, 7, 9, 13W Twin Tube, or 2 Pin Quad	90	650	9 3/8" (238)	2 3/8" (60)	1 1/2" (38)
FP2200	1 Lamp Compact Fluorescent 10, 13, 16, 18, 22, 26W	90	850	9 3/8" (238)	4 1/2" (114)	4 1/2" (114)

## OPTIONS AND ACCESSORIES

### OPTIONS: Add to Catalog No.

Description	Code
Remote Test Switch	RTS
One Gang Plate and Metal End Caps to Cover Wire	FC 6

- Dual 120/277VAC 60 Hz input
- Fully automatic solid state charger; automatic transfer relay energizes lamp instantaneously upon failure of normal AC power
- Compatible with standard, energy-saving, dimming and electronic AC ballasts
- Operates with either switched or unswitched fixtures
- Compact fluorescent emergency packs are supplied with a one-gang plate with a test switch and pilot light power indicator
- Sealed, maintenance-free high temperature nickel cadmium battery
- A single 16 gauge housing contains the battery, charger, transfer electronics and inverter ballast

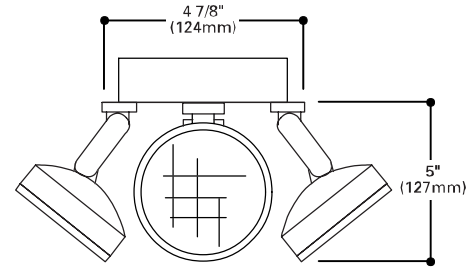
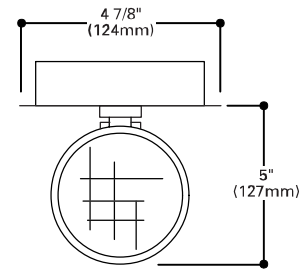
## EMERGENCY LIGHTING

### DESCRIPTION

### DIMENSIONS



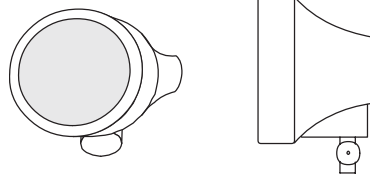
The RF Surface Heads Series provides remote heads (no battery) manufactured in high impact, mar-resistant engineering grade thermo-plastic. A highly polished reflector located behind the lamp provides abundant emergency light to the floor when connected to an emergency battery source. Several finishes and lamp styles are available.



## RF Surface Heads

Surface Mount Head  
Less Battery  
Thermo Plastic  
Incandescent Lamps

### Halogen Lamp Options only available with OS Head



### EMERGENCY LIGHTING

- Thermo plastic heads
- Choose single, double, or triple remote heads
- Double joint adjustable 359° swivel
- White finish standard – other finishes available
- Mounts to standard 4" round junction box
- 6 or 12 volt wedge base incandescent lamp is standard (see lamp charts on page 42)
- Gray finish standard on weatherproof (WP) units

### ORDERING INFORMATION - NEW YORK CITY

### ORDERING INFORMATION - NATIONAL

#### Catalog No.

Prefix	No. of Heads	Ship Wt.
RF301	1	2
RF302	2	4
RF303	3	6
RF301-OS*	1	2
RF302-OS*	2	4
RF303-OS*	3	6

Note: Maximum wattage per head is 25 watts. Please specify lamp when ordering.

\* Sealed Beam Lamps will be used with OS Head only

### OPTIONS AND ACCESSORIES

#### OPTIONS: Add to Catalog No.

Description	Code
Weatherproof	WP

### INCANDESCENT PAR 36 SEALED BEAM

Watts	Lamp Cat. No.	Lumens	ISO Footcandle Chart No.
<b>6 VOLT</b>			
7.2	6RS7	95	2
9.0	6RS9	108	3
12.0	6RS12	137	10
18.0	6RS18	158	8
25.0	6RS25	318	9
30.0	6RS30	380	--
<b>12 VOLT</b>			
9.0	12RS9	111	3
12.0	12RS12	177	10
18.0	12RS18	213	8
25.0	12RS25	327	11
35.0	12RS35	439	--

### INCANDESCENT WEDGE BASE

Watts	Lamp Cat. No.	Lumens	ISO Footcandle Chart No.
<b>6 VOLT</b>			
3.6	6RW3	50	1
5.4	6RW5	75	*
7.2	6RW7	101	2
9.0	6RW9	132	3
12.0	6RW12	163	4
<b>12 VOLT</b>			
5.4	12RW5	75	*
9.0	12RW9	132	3
12.0	12RW12	163	4
18.0	12RW18	260	6

\* Note: Photometrics for 6RW5 and 12RW5 use 75% of ISO chart No. 2

### HALOGEN - BI-PIN

Watts	Lamp Cat. No.	Lumens	ISO Footcandle Chart No.
<b>6 VOLT</b>			
6	6HB6	113	3
8	6HB8	163	4
10	6HB10	201	5
12	6HB12	302	6
20	6HB20	402	7
<b>12 VOLT</b>			
8	12HB8	163	4
12	12HB12	302	6

Note: Lamps used with OS Heads only.

### INCANDESCENT DOUBLE CONTACT BAYONET BASE

Watts	Lamp Cat. No.	Lumens	ISO Footcandle Chart No.
<b>6 VOLT</b>			
6	6RD6	56	2
13	6RD13	122	2
18	6RD18	211	5
28	6RD25	360	6
<b>12 VOLT</b>			
6	12RD6	56	2
13	12RD13	153	4
28	12RD28	360	6

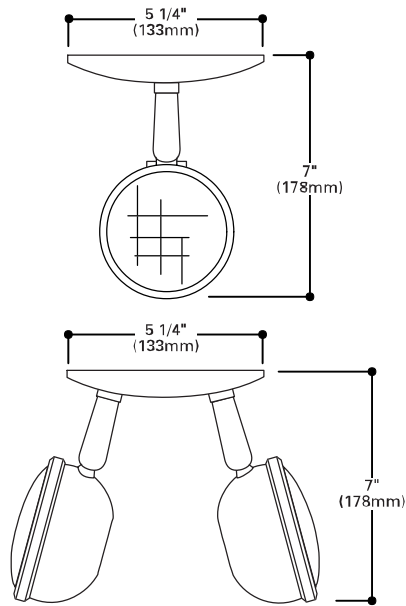
### INCANDESCENT PAR36 SEALED BEAM

Watts	Lamp Cat. No.	Lumens	ISO Footcandle Chart No.
<b>6 VOLT</b>			
6	6HS6	107	3
8	6HS8	155	4
10	6HS10	191	5
12	6HS12	302	6
20	6HS20	382	7
<b>12 VOLT</b>			
8	12HS8	155	4
12	12HS12	302	6

# EMERGENCY LIGHTING

**ATLITE®**

## DIMENSIONS



## DESCRIPTION

The RF Surface Heads Series provides remote heads (no battery) manufactured in an all metal housing. A highly polished reflector located behind the lamp provides abundant emergency light to the floor when connected to an emergency battery source. Several finishes and lamp styles are available.



## RF Surface Heads

Surface Mount Head  
Less Battery  
All Metal  
Incandescent Lamps

## EMERGENCY LIGHTING

### ORDERING INFORMATION - NEW YORK CITY

### ORDERING INFORMATION - NATIONAL

#### Catalog No.

Prefix	No. of Heads	Ship Wt.
RF401	1	2
RF402	2	4
RF403	3	6

Note: Maximum wattage per head is 50 watts. Please specify lamp when ordering.

### OPTIONS AND ACCESSORIES

#### INCANDESCENT PAR 36 SEALED BEAM

Watts	Lamp Cat. No.	Lumens	ISO Footcandle
			Chart No.
<b>6 VOLT</b>			
7.2	6RS7	95	2
9.0	6RS9	108	3
12.0	6RS12	137	10
18.0	6RS18	158	8
25.0	6RS25	318	9
30.0	6RS30	380	--
<b>12 VOLT</b>			
9.0	12RS9	111	3
12.0	12RS12	177	10
18.0	12RS18	213	8
25.0	12RS25	327	11
35.0	12RS35	439	--

#### INCANDESCENT WEDGE BASE

Watts	Lamp Cat. No.	Lumens	ISO Footcandle
			Chart No.
<b>6 VOLT</b>			
3.6	6RW3	50	1
5.4	6RW5	75	*
7.2	6RW7	101	2
9.0	6RW9	132	3
12.0	6RW12	163	4
<b>12 VOLT</b>			
5.4	12RW5	75	*
9.0	12RW9	132	3
12.0	12RW12	163	4
18.0	12RW18	260	6

\* Note: Photometrics for 6RW5 and 12RW5 use 75% of ISO chart No. 2

#### HALOGEN - BI-PIN

Watts	Lamp Cat. No.	Lumens	ISO Footcandle
			Chart No.
<b>6 VOLT</b>			
6	6HB6	113	3
8	6HB8	163	4
10	6HB10	201	5
12	6HB12	302	6
20	6HB20	402	7
<b>12 VOLT</b>			
8	12HB8	163	4
12	12HB12	302	6

#### INCANDESCENT DOUBLE CONTACT BAYONET BASE

Watts	Lamp Cat. No.	Lumens	ISO Footcandle
			Chart No.
<b>6 VOLT</b>			
6	6RD6	56	2
13	6RD13	122	2
18	6RD18	211	5
28	6RD25	360	6
<b>12 VOLT</b>			
6	12RD6	56	2
13	12RD13	153	4
28	12RD28	360	6

#### INCANDESCENT PAR36 SEALED BEAM

Watts	Lamp Cat. No.	Lumens	ISO Footcandle
			Chart No.
<b>6 VOLT</b>			
6	6HS6	107	3
8	6HS8	155	4
10	6HS10	191	5
12	6HS12	302	6
20	6HS20	382	7
<b>12 VOLT</b>			
8	12HS8	155	4
12	12HS12	302	6

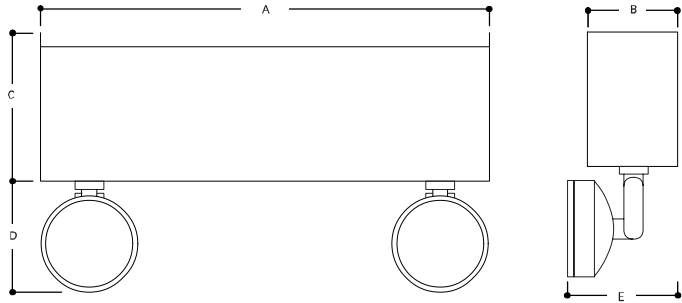
- All metal heads
- Choose single, double, or triple remote heads
- Double joint adjustable 359° swivel
- Brushed aluminum standard – other finishes available
- Mounts to standard 4" round junction box
- 6 or 12 volt wedge base incandescent lamp is standard (see lamp charts on page 42)

## EMERGENCY LIGHTING

### DESCRIPTION

The RF Recessed T Bar Series provides remote heads (no battery) manufactured in high impact, mar-resistant engineering grade thermoplastic for recessed installation in T-bar ceilings. A highly polished reflector located behind the lamp provides abundant emergency light to the floor when connected to an emergency battery source. Several lamp styles are available.

### DIMENSIONS



## RF Recessed T Bar Remote Fixture

Steel Recessed Mount  
Less Battery  
Thermo Plastic  
Incandescent Lamps

### EMERGENCY LIGHTING

- Thermo plastic heads
- Choose double, triple, or quadruple remote heads
- Adjustable swivel
- White panel finish with white heads
- Mounts by dropping into T-bar grid ceiling
- 6 or 12 volt wedge base incandescent lamp is standard (see lamp charts on page 42)
- Local 3 IBEW

### ORDERING INFORMATION - NEW YORK CITY ORDERING INFORMATION - NATIONAL

Catalog No.	No. of Heads	Ship Wt.	Dimensions - (mm)			
Prefix			A	B	C	D
<b>RF312</b>	2	5	10 3/4 (273)	6 1/4" (159)	4" (102)	5" (127)
<b>RF313</b>	3	7	10 3/4 (273)	6 1/4" (159)	4" (102)	5" (127)
<b>RF314</b>	4	9	10 3/4 (273)	6 1/4" (159)	4" (102)	5" (127)

Note: Maximum wattage per head is 25 watts. Please specify lamp when ordering.

### OPTIONS AND ACCESSORIES

#### INCANDESCENT PAR 36 SEALED BEAM

Watts	Lamp Cat. No.	Lumens	ISO Footcandle Chart No.
<b>6 VOLT</b>			
7.2	6RS7	95	2
9.0	6RS9	108	3
12.0	6RS12	137	10
18.0	6RS18	158	8
25.0	6RS25	318	9
<b>12 VOLT</b>			
9.0	12RS9	111	3
12.0	12RS12	177	10
18.0	12RS18	213	8
25.0	12RS25	327	11

#### HALOGEN - BI-PIN

Watts	Lamp Cat. No.	Lumens	ISO Footcandle Chart No.
<b>6 VOLT</b>			
6	6HB6	113	3
8	6HB8	163	4
10	6HB10	201	5
12	6HB12	302	6
20	6HB20	402	7
<b>12 VOLT</b>			
8	12HB8	163	4
12	12HB12	302	6

#### INCANDESCENT DOUBLE CONTACT BAYONET BASE

Watts	Lamp Cat. No.	Lumens	ISO Footcandle Chart No.
<b>6 VOLT</b>			
6	6RD6	56	2
13	6RD13	122	2
18	6RD18	211	5
28	6RD25	360	6
<b>12 VOLT</b>			
6	12RD6	56	2
13	12RD13	153	4
25	12RD25	360	6

#### INCANDESCENT WEDGE BASE

Watts	Lamp Cat. No.	Lumens	ISO Footcandle Chart No.
<b>6 VOLT</b>			
3.6	6RW3	50	1
5.4	6RW5	75	*
7.2	6RW7	101	2
9.0	6RW9	132	3
12.0	6RW12	163	4
<b>12 VOLT</b>			
5.4	12RW5	75	*
9.0	12RW9	132	3
12.0	12RW12	163	4
18.0	12RW18	260	6

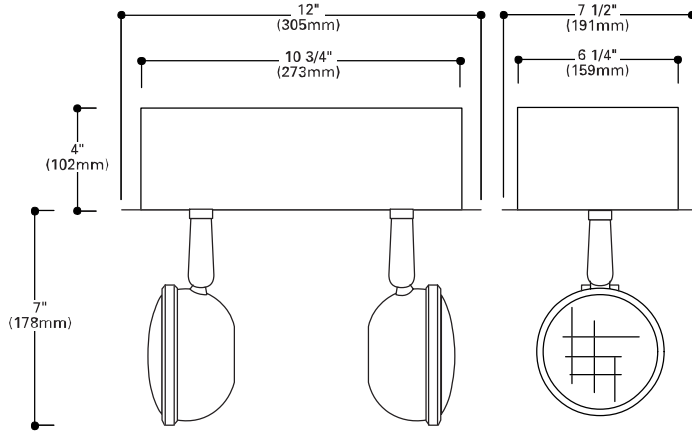
\* Note: Photometrics for 6RW5 and 12RW5 use 75% of ISO chart No. 2

#### INCANDESCENT PAR36 SEALED BEAM

Watts	Lamp Cat. No.	Lumens	ISO Footcandle Chart No.
<b>6 VOLT</b>			
6	6HS6	107	3
8	6HS8	155	4
10	6HS10	191	5
12	6HS12	302	6
20	6HS20	382	7
<b>12 VOLT</b>			
8	12HS8	155	4
12	12HS12	302	6



## DIMENSIONS



## DESCRIPTION

The RF Recessed T Bar Series provides remote heads (no battery) in all metal for recessed installation in T-bar ceilings. A highly polished reflector located behind the lamp provides abundant emergency light to the floor when connected to an emergency battery source. Several lamp styles are available.



## RF Recessed T Bar Remote Fixture

Steel Recessed Mount  
Less Battery  
All Metal  
Incandescent Lamps

## EMERGENCY LIGHTING

- All metal heads
- Choose double, triple, or quadruple remote heads
- Adjustable swivel
- White panel finish with white heads
- Mounts by dropping into T-bar grid ceiling
- 6 or 12 volt wedge base incandescent lamp is standard (see lamp charts on page 42)
- Local 3 IBEW

## ORDERING INFORMATION - NEW YORK CITY

## ORDERING INFORMATION - NATIONAL

### Catalog No.

Prefix	No. of Heads	Ship Wt.
RF412	2	5
RF413	3	7
RF414	4	9

Note: Maximum wattage per head is 50 watts. Please specify lamp when ordering.

## OPTIONS AND ACCESSORIES

### INCANDESCENT PAR 36 SEALED BEAM

Watts	Lamp Cat. No.	Lumens	ISO Footcandle Chart No.
6 VOLT			
7.2	6RS7	95	2
9.0	6RS9	108	3
12.0	6RS12	137	10
18.0	6RS18	158	8
25.0	6RS25	318	9
30.0	6RS30	380	--
12 VOLT			
9.0	12RS9	111	3
12.0	12RS12	177	10
18.0	12RS18	213	8
25.0	12RS25	327	11
35.0	12RS35	439	--

### INCANDESCENT WEDGE BASE

Watts	Lamp Cat. No.	Lumens	ISO Footcandle Chart No.
6 VOLT			
3.6	6RW3	50	1
5.4	6RW5	75	*
7.2	6RW7	101	2
9.0	6RW9	132	3
12.0	6RW12	163	4
12 VOLT			
5.4	12RW5	75	*
9.0	12RW9	132	3
12.0	12RW12	163	4
18.0	12RW18	260	6

\* Note: Photometrics for 6RW5 and 12RW5 use 75% of ISO chart No. 2

### HALOGEN - BI-PIN

Watts	Lamp Cat. No.	Lumens	ISO Footcandle Chart No.
6 VOLT			
6	6HB6	113	3
8	6HB8	163	4
10	6HB10	201	5
12	6HB12	302	6
20	6HB20	402	7
12 VOLT			
8	12HB8	163	4
12	12HB12	302	6

### INCANDESCENT DOUBLE CONTACT BAYONET BASE

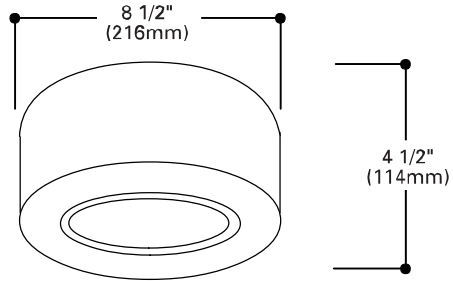
Watts	Lamp Cat. No.	Lumens	ISO Footcandle Chart No.
6 VOLT			
6	6RD6	56	2
13	6RD13	122	2
18	6RD18	211	5
28	6RD25	360	6
12 VOLT			
6	12RD6	56	2
13	12RD13	153	4
28	12RD28	360	6

### INCANDESCENT PAR36 SEALED BEAM

Watts	Lamp Cat. No.	Lumens	ISO Footcandle Chart No.
6 VOLT			
6	6HS6	107	3
8	6HS8	155	4
10	6HS10	191	5
12	6HS12	302	6
20	6HS20	382	7
12 VOLT			
8	12HS8	155	4
12	12HS12	302	6



The RF Surface Gimbal Series provides remote heads in your choice of trim finish to match existing installations.



**RF**  
Surface Gimbal

Surface Mount Gimbal  
Less Battery  
Incandescent Lamps

**EMERGENCY LIGHTING**

- Lamp rotates 358° horizontally and 42° vertically
- White powder coat trim on housing
- Mounts to standard 4" round junction box
- Lamps are PAR36 sealed beam only – 6 or 12 volt
- Maximum lamp wattage is 25 watts

**ORDERING INFORMATION - NEW YORK CITY**      **ORDERING INFORMATION - NATIONAL**

Catalog No.	Trim	Ship Wt.
RF603	W White	5

Note: PAR36 sealed beam lamp only 6 or 12 volt.  
Maximum wattage 25 watts. Please specify lamp when ordering.

**OPTIONS AND ACCESSORIES**

**INCANDESCENT PAR 36 SEALED BEAM**

Watts	Lamp Cat.		ISO Footcandle Chart No.
	No.	Lumens	
<b>6 VOLT</b>			
7.2	6RS7	95	2
9.0	6RS9	108	3
12.0	6RS12	137	10
18.0	6RS18	158	8
25.0	6RS25	318	9
<b>12 VOLT</b>			
9.0	12RS9	111	3
12.0	12RS12	177	10
18.0	12RS18	213	8
25.0	12RS25	327	11

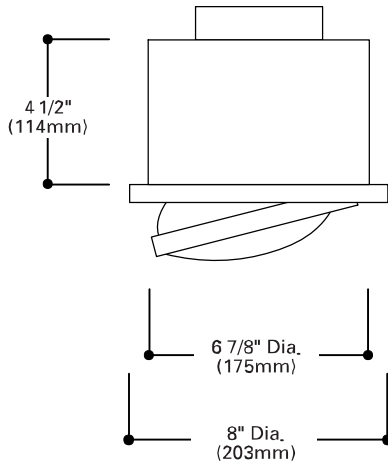
**INCANDESCENT PAR36 SEALED BEAM**

Watts	Lamp Cat.		ISO Footcandle Chart No.
	No.	Lumens	
<b>6 VOLT</b>			
6	6HS6	107	3
8	6HS8	155	4
10	6HS10	191	5
12	6HS12	302	6
20	6HS20	382	7
<b>12 VOLT</b>			
8	12HS8	155	4
12	12HS12	302	6

# EMERGENCY LIGHTING

**ATLITE®**

## DIMENSIONS



## DESCRIPTION

The RF Recessed Gimbal Series provides remote heads that are ideal for architectural or commercial applications where the aesthetics of a fully recessed unit are required. The slim profile is excellent for low ceilings and blends inconspicuously with existing recessed installations. For use as a remote when connected to an emergency battery source.



## RF Recessed Gimbal

Recessed Adjustable  
Gimbal  
Less Battery  
Incandescent Lamps

## EMERGENCY LIGHTING

### ORDERING INFORMATION - NEW YORK CITY

### ORDERING INFORMATION - NATIONAL

Catalog No.	Trim	Ship Wt.
RF503	W White	5

Note: PAR36 sealed beam lamp only 6 or 12 volt.  
Maximum wattage 50 watts. Please specify lamp when ordering.

## OPTIONS AND ACCESSORIES

### INCANDESCENT PAR 36 SEALED BEAM

Watts	Lamp Cat. No.	Lumens	ISO Footcandle Chart No.
<b>6 VOLT</b>			
7.2	6RS7	95	2
9.0	6RS9	108	3
12.0	6RS12	137	10
18.0	6RS18	158	8
25.0	6RS25	318	9
30.0	6RS30	380	--
<b>12 VOLT</b>			
9.0	12RS9	111	3
12.0	12RS12	177	10
18.0	12RS18	213	8
25.0	12RS25	327	11
35.0	12RS35	439	--
50.0	12RS50	590	--

### INCANDESCENT PAR36 SEALED BEAM

Watts	Lamp Cat. No.	Lumens	ISO Footcandle Chart No.
<b>6 VOLT</b>			
6	6HS6	107	3
8	6HS8	155	4
10	6HS10	191	5
12	6HS12	302	6
20	6HS20	382	7
<b>12 VOLT</b>			
8	12HS8	155	4
12	12HS12	302	6

- Recessed round gimbal unit. Torsion spring frame.
- Lamp rotates 358° horizontally and 42° vertically
- Supplied with mounting frame and junction box
- Split mounting frame for old work – HP, adjustable mounting bars – ABI. 18" and 27" rigid mounting bars available
- Lamps are PAR36 sealed beam only – 6 or 12 volt
- Maximum lamp wattage is 50 watts

**EMERGENCY LIGHTING**



**RF Recessed Adjustable**

**Recessed Adjustable  
Less Battery  
Incandescent Lamps**

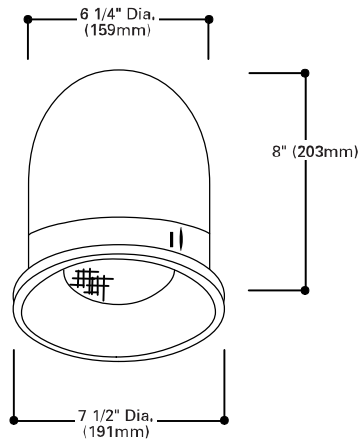
**EMERGENCY LIGHTING**

- Recessed adjustable units with baffle or cone inserts
- Lamp rotates 358° horizontally and 42° vertically
- White powder coat trim
- Supplied with mounting frame and junction box
- Adjustable mounting bars – ABI, 18" and 27" rigid mounting bars available
- Lamps are PAR36 sealed beam only – 6 or 12 volt
- Maximum lamp wattage is 50 watts
- Local 3 IBEW

**DESCRIPTION**

The RF Recessed Adjustable Series provides remote mount lighting in a recessed trim available in many finish choices for baffle or cone inserts to match virtually any existing installation. For use as a remote when connected to an emergency battery source.

**DIMENSIONS**



**ORDERING INFORMATION - NEW YORK CITY**

**ORDERING INFORMATION - NATIONAL**

Catalog No.	Description	Ship Wt.
RF549	Black Baffle	8
RF549WB	White Baffle	8
RF556	Satin Black Cone	8
RF557	Satin Aluminum Cone	8
RF558	Satin Gold Cone	8
RF557-12	Aluminum Alzak Cone	8
RF558-12	Gold Alzak Cone	8

Note: PAR36 sealed beam lamp only 6 or 12 volt. Maximum wattage 50 watts. Please specify lamp when ordering.

**OPTIONS AND ACCESSORIES**

**INCANDESCENT PAR 36 SEALED BEAM**

Watts	Lamp Cat.		ISO Footcandle Chart No.
	No.	Lumens	
<b>6 VOLT</b>			
7.2	6RS7	95	2
9.0	6RS9	108	3
12.0	6RS12	137	10
18.0	6RS18	158	8
25.0	6RS25	318	9
30.0	6RS30	380	--
<b>12 VOLT</b>			
9.0	12RS9	111	3
12.0	12RS12	177	10
18.0	12RS18	213	8
25.0	12RS25	327	11
35.0	12RS35	439	--
50.0	12RS50	590	--

**INCANDESCENT PAR36 SEALED BEAM**

Watts	Lamp Cat.		ISO Footcandle Chart No.
	No.	Lumens	
<b>6 VOLT</b>			
6	6HS6	107	3
8	6HS8	155	4
10	6HS10	191	5
12	6HS12	302	6
20	6HS20	382	7
<b>12 VOLT</b>			
8	12HS8	155	4
12	12HS12	302	6

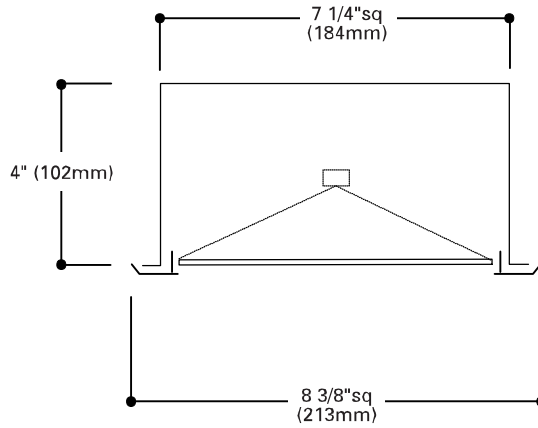
# EMERGENCY LIGHTING

**ATLITE®**

**DESCRIPTION**

The RF Recessed Square Series, when connected to an emergency battery source, provides remote mount lighting in several trim finishes to match different types of existing installations. Your choice of voltages available in either 1- or 2-socket models.

**DIMENSIONS**



**RF Recessed Square**

Recessed Square  
Less Battery  
Incandescent Lamps

**ORDERING INFORMATION - NEW YORK CITY**

**ORDERING INFORMATION - NATIONAL**

Catalog No.	Description	Trim, specify	Ship Wt.
RF504	1 Socket D.C. Bayonet Base	W White	4

Note: Double contact bayonet base lamps only, 6, 12, 24, 32/36 or 120 volt. Please specify lamp when ordering.

**OPTIONS AND ACCESSORIES**

**INCANDESCENT DOUBLE CONTACT BAYONET BASE**

Watts	Lamp Cat. No.	Volts	Lumens	Photometrics Chart No.
6	6RD6	6	56	2
13	6RD13	6	122	2
18	6RD18	6	211	5
25	6RD25	6	360	6
6	12RD6	12	56	2
13	12RD13	12	153	4
25	12RD25	12	360	6

**EMERGENCY LIGHTING**

- Recessed square with gasketed torsion spring trim steel housing and junction box
- Mounting brackets and bars available – BH2
- Double contact bayonet base lamps only, 6, 12, 24, 32/36 or 120 volt
- Local 3 IBEW
- Available in Surface Mount



**RF Recessed Rectangle**

**Recessed Rectangle  
Less Battery  
Incandescent Lamps**

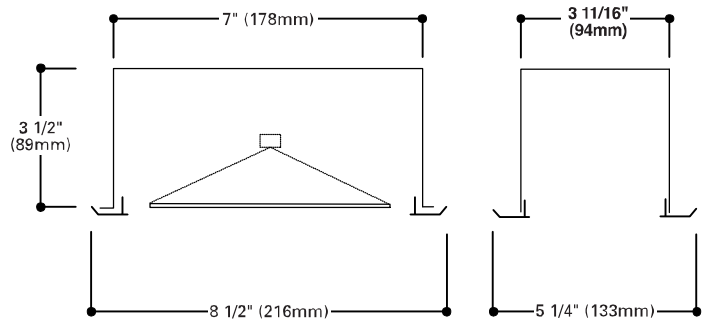
**EMERGENCY LIGHTING**

- Recessed rectangular unit with opal diffuser and torsion spring frame
- Mounting bars and brackets – BH2.
- Double contact bayonet base lamps only. 6 or 12 volt
- Maximum wattage 18 watts
- Local 3 IBEW

**DESCRIPTION**

The RF Recessed Rectangle Series, when connected to an emergency battery source, provides remote mount lighting in several trim finishes to match different types of existing installations. Your choice of voltages available in either 1- or 2-socket models.

**DIMENSIONS**



**ORDERING INFORMATION - NEW YORK CITY      ORDERING INFORMATION - NATIONAL**

Catalog No.	Description	Trim, specify	Ship Wt.
<b>RF501</b>	1 Socket D.C. Bayonet Base	W White	3
<b>RF502</b>	2 Sockets D.C. Bayonet Base	W White	3

Note: Double contact bayonet base lamps only. 6 or 12 volt. Please specify lamp when ordering. Maximum wattage 18 watts.

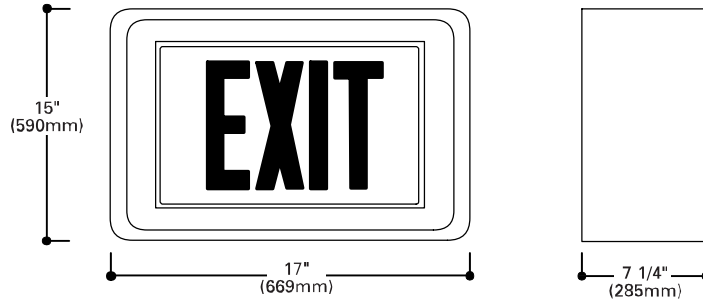
**OPTIONS AND ACCESSORIES**

INCANDESCENT DOUBLE CONTACT BAYONET BASE				
Watts	Lamp Cat. No.	Volts	Lumens	Photometrics Chart No.
6	6RD6	6	56	2
13	6RD13	6	122	2
18	6RD18	6	211	5
6	12RD6	12	56	2
13	12RD13	12	153	4

DESCRIPTION

The X Series NEMA Outdoor Exits feature a durable, weather-tight enclosure that is rated for outdoor use. It can be used as a battery backup unit (electronic specifications at left) or with AC only units. Illumination is LED. **For use with single face signs only.**

DIMENSIONS



X Series NEMA

Outdoor Rated LED Exit Sign

EXIT LIGHTING

ORDERING INFORMATION - NEW YORK CITY

ORDERING INFORMATION - NATIONAL

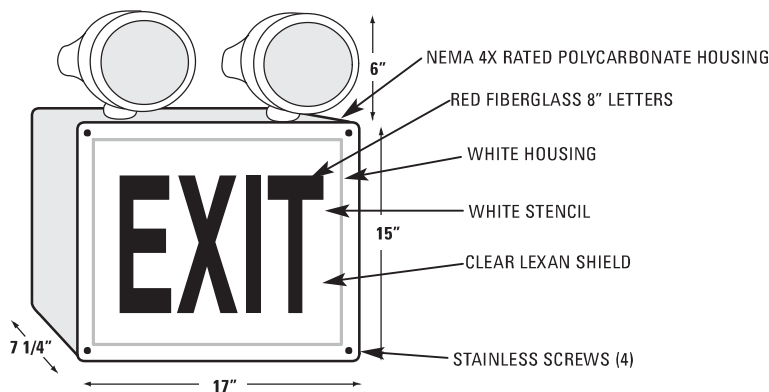
Catalog No. Battery Backup	Catalog No. AC Only	Description
XLN1-6SR1-X	XLA1-6SR1-X	6" Letters, LED illumination
XLN1-8SR1-X	XLA1-8SR1-X	8" Letters, LED illumination

Catalog Number	Capacity	Number of Heads	Lamp Type	Replacement Lamp	Description
XLCNY8-X	Blank = 27 Watts	Blank = Two Heads 3 = Three Heads	Incandescent	6RS12 6RS9	8" Letters w/Emergency Heads
XLC4-SR1-X		Blank = Two Heads		6RS12	6" Letters w/Emergency Heads

OPTIONS AND ACCESSORIES

OPTIONS: Add to Catalog No.

Description	Code
Wall Mount Bracket	MBW
Ceiling Mount Bracket	MBC
Two Head (consult factory)	-2
Three Head (consult factory)	-3



- Dual 120/77 VAC 60HZ input
- Circuit is battery short circuit and brownout protected
- Meets or exceeds all current UL requirements and applicable sections of the Life Safety Code
- LED exits use a nickel cadmium battery
- External mounting feet are provided
- Universal arrows
- Meets NEMA 4/12 requirements
- Housing: Molded grey fiberglass; oil, water and dust tight construction. Clear polycarbonate front cover
- Local 3 IBEW



### UX Series

- NEMA 4X Exits
- Pendant and Universal Mount
- Self-Powered
- LED Lamps
- Vandal Proof

#### EXIT LIGHTING

- Dual-voltage Input 120/277 VAC, 60 Hz, isolation transformer
- Watchguard EMS Self-Diagnostic System (Self-powered only)
- Die-Cast aluminum housing
- Universal pattern knockouts on rear of single face housing for direct mounting to junction box
- Exit can be universally mounted ceiling, wall or end
- Powder coat paint finish
- UL 924, UL 924 Wet Location (Suitable for wet and damp locations)
- UL50, NEMA 4X
- UL844, Hazardous Locations (Class 1, Division 2, Groups A, B, C, D) with "HAZ" option
- Life Safety NFPA 101
- Meets most state and local codes
- Suitable for Floor Proximity Installation, UL Listed, ADA (American Disabilities Act)
- Energy Star (Dept. of Energy)
- NSF National Sanitation Foundation/Splash Zone (for Food Processing)
- IP66, Ingress Protection from IEC (International Electrical Commission)
- Cleanrooms Class 10,000
- Laser Testing
- Operation Temperature -45°C (-49°F) to +60°C (+140°F)
- Premium Nickel Cadmium Batteries
- UL FTBR Listed when specified with the "2C" option (AC only)
- Patents Pending

#### DESCRIPTION

The Atlite UX Nema 4X Exit combines the strength and durability of die cast aluminum with architecturally pleasing aesthetics. Designed for the most severe environments, the UX exit will provide maximum performance against rain, moisture, cold, corrosives and dust. Universal configurations (single and double face) and universal mounting provide the ease of one product specifying for any job. Additional designed-in features such as LED technology provide the customer with a long life, low maintenance, dependable exit sign in those conditions when reliability is crucial. The injection molded, clear, polycarbonate shield not only provides protection against moisture and rain, but vandalism as well. (4) Torx® head tamperproof screws with center-pin reject provide additional vandal-proof security. The unique design and features make the UX Exit compatible in food processing facilities, outdoor parking garages, walk-in freezers and other indoor/outdoor severe environments. The UX Exit is approved for ambient environments rated from -45°C (-49°F) up to +60°C (+140°F).

#### SELF-DIAGNOSTICS

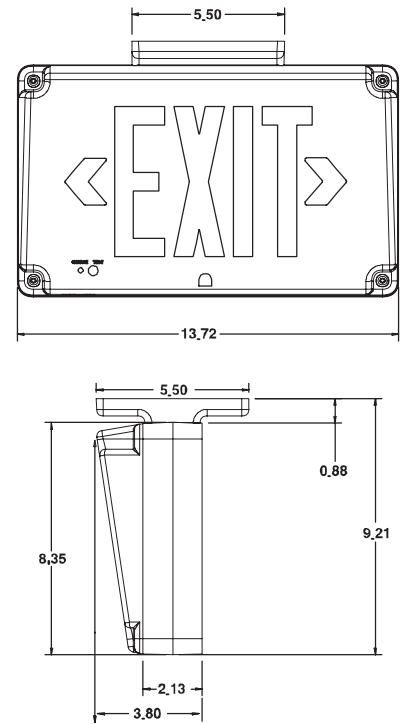
The self-diagnostic unit will automatically perform all tests required by UL924, and NFPA 101. The system indicates the status of the exit at all times using the LED indicator near the test switch on the side of the unit. A 90 minute battery power (emergency mode) simulation test will occur randomly once every six months.

A 30 second battery power simulation test will occur every 30 days. The charger function is tested upon initial power-up and after every battery discharge cycle thereafter. The exit lamp circuit and AC/DC power transfer circuit is monitored continuously.

The charging mode is also monitored. The unit goes into a high charge mode for 24 hours the first time AC power is applied and when a discharge causes the battery voltage to fall below its nominal value. Pressing the test switch causes the unit to use battery power and test the battery capacity for 30 seconds.

The LED indicator is off when the unit is in the emergency mode and on continuously when the unit is fully charged. The LED blinks when the unit is in the high charge mode. It blinks twice (then repeats) when the battery needs to be replaced, or if it is disconnected. It blinks three times if there is a circuit board (charger or AC/DC transfer function) failure, and four times if the exit lamps fail.

#### DIMENSIONS



AtLite 023-414	
<b>WatchGuard EMS</b>	
Indicator	Meaning
● Steady	Float Charge
● Pulse	High Charge
● - ●	Battery Failure
● - ● - ●	Circuit Failure
● - ● - ● - ●	Lamp Failure
TEST	INDICATOR

#### ORDERING INFORMATION - NEW YORK CITY

#### ORDERING INFORMATION - NATIONAL

Catalog No.	Operation	Letter Size	Housing	Letter Color	Number of Faces	NEMA Listing	Self-Diagnostics
UXA	AC Only	6 6"	D Die Cast Aluminum	R Red*	1 One face	X NEMA 4X	SDL Self-Diagnostics w/Laser Test
UXN	Self-powered			G Green	U Universal face		

\* Red only allowed in New York City

#### OPTIONS AND ACCESSORIES

Accessories: Add to Catalog No.

Description	Code	Description	Code
Key Chain, Red Laser Pointer (activation tested at 30 feet).	LASER	Pendant Kit Adapter (fitting adapts exit to 1/2" NPT threaded pendant "supplied by others).	UXPKA
Converts single face exit to double face exit. UXUK Contains (1) red lens, (1) green lens, (1) Vandal Shield & Tamperproof Screws.	UXUK	Vandal Resistant Screwdriver	VRSD

#### Energy Data - Self-Powered Exits

	Sealed Nickel Cadmium Battery		Input Current (Max.):		Power Factor:		T.H.D.:	
	120V	277V	120V	277V	120V	277V	120V	277V
			<b>LED Exits</b>					
LED Exits - Red Letters	3.4W	3.2W	.07A	.04A	> .37	> .39	< 64%	< 69%
LED Exits - Green Letters	3.1W	3.0W	.08A	.04A	> .34	> .36	< 63%	< 67%

#### Energy Data - AC Only Exits

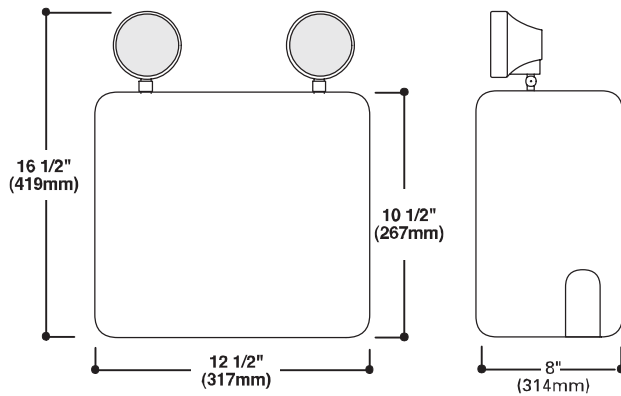
	Input Power:		Input Current (Max.):		Power Factor:		T.H.D.:	
	120V	277V	120V	277V	120V	277V	120V	277V
			<b>LED Exits</b>					
LED Exits - Red Letters	2.7W	3.2W	.07A	.04A	> .30	> .39	< 56%	< 69%
LED Exits - Green Letters	2.3W	3.0W	.08A	.03A	> .26	> .36	< 54%	< 67%



# EMERGENCY LIGHTING

**ATLITE®**

## DIMENSIONS



## DESCRIPTION

The X Series NEMA Outdoor Emergency Unit features a durable, weathertight enclosure that is rated for outdoor use. It utilizes sealed beam fully gasketed lamps. Designed for use where moisture or dust are present. Many options and accessories allow for customization of these units.



## X Series NEMA

**Outdoor Rated  
Incandescent  
Emergency Light**

### ORDERING INFORMATION - NEW YORK CITY

### ORDERING INFORMATION - NATIONAL

Volts	Series	Battery Type	Capacity in Watts (90 minutes)
6 6 Volts	X Nema	C Lead Calcium	27 6V/12V Lead Calcium
12 12 Volts			54 6V/12V Lead Calcium
		NC NiCad	100 12V Lead Calcium
			50 6V/12V NiCad
			72 12V NiCad

### OPTIONS AND ACCESSORIES

#### OPTIONS: Add to Catalog No.

Description	Code
No heads	0
One head	1
Three heads	3
New York City Approved	NY

#### ACCESSORIES

Description	Code
Cord Sets	
120 Volt	3 CP
277 Volt (Specify male plug type)	0 CP
Mounting Bracket	MB
Mounting Shelf	MS
Wire Guards	GXBW
Time Delay Kit	TD

### EMERGENCY LIGHTING

- Dual 120/77 VAC 60HZ input
- Solid state charging and transfer circuitry (no relays are used)
- Temperature compensated
- Circuit is battery short circuit and brownout protected
- Reverse polarity protected
- Line latched transfer circuit
- Output is electronically short circuit and overload protected
- Low voltage disconnect in lead calcium units
- Meets or exceeds all current UL requirements and applicable sections of the Life Safety Code
- Meets NEMA 4/12 requirements
- Sealed maintenance-free long life lead calcium, or nickel cadmium battery
- Construction: Housing is constructed of NEMA 4/12 grey polycarbonate. Test switch and AC power monitor are fully gasketed. Lamps are fully gasketed sealed beam type
- Local 3 IBEW



### 12UEL1 Series

#### NEMA 4X

**Nickel Cadmium Battery  
MR16 Lamps  
Vandal Proof**

#### EMERGENCY LIGHTING

- Dual voltage input 120/277 VAC, 60Hz, Isolation Transformer
- Watchguard EMS Self-Diagnostic System
- Vandal Proof
- Push-in AC power connectors facilitate installation
- Photocell Test Switch (requires accessory LASER for activation)
- Fully recharged in 24 hours
- Die-cast aluminum housing
- Powder coat paint finish
- UV stable, glass-clear polycarbonate, vandal resistant shield (.150" thick) with Torx head tamperproof screws, stainless steel
- UL 924 Listed Self-Diagnostics, UL 924 Outdoor Wet Location Listed (suitable for wet and damp locations)
- NEMA 4X, UL50 Listed
- Life safety NFPA 101
- Meets most state and local codes
- NSF, National Sanitation Foundation/Splash Zone (for Food Processing)
- IP66, Ingress Protection from IEC (International Electrical Commission)
- Cleanroom Class 10,000
- EC&M Product of the Year Category Winner
- Patent Pending

#### DESCRIPTION

The AtLite 12UEL1 NEMA 4X Emergency Light is designed for those emergency lighting applications where ruggedness and dependability are a must. The 12UEL1's housing is constructed of durable die cast aluminum combined with the strength of a glass-clear polycarbonate shield. Designed for the most severe environments, the 12UEL1 Emergency Light will provide maximum performance against rain, moisture, cold, corrosives and dust. The 12UEL1's standard features include nickel cadmium battery, self-diagnostics, photocell LASER test and MR16 lamps that provide the customer with a long life, low maintenance, dependable, severe environment approved emergency lighting unit in those conditions when reliability is crucial. The injection molded, glass-clear polycarbonate shield not only provides protection against moisture and rain, but vandalism, as well. (4) Torx head tamperproof screws with center-pin reject provide additional vandal-proof security. Two adjustable 12W MR16 lamps provide maximum path of egress coverage providing a bright, even illumination during power outages. The unique design and features make the 12UEL1 Emergency Light compatible in food processing facilities, outdoor parking garages, walk-in freezers and other indoor/ outdoor severe environments. The 12UEL1 Emergency Light is UL listed for -35°C (-31°F) to +50°C (+122°F) ambient environments.

#### SELF-DIAGNOSTICS

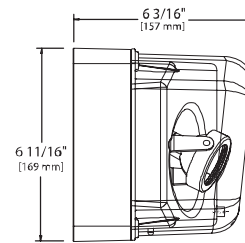
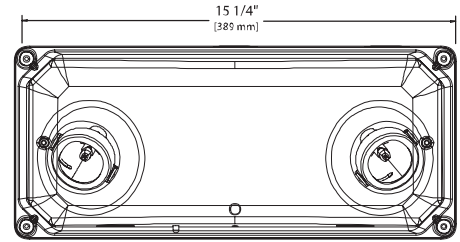
The self-diagnostic unit will automatically perform all tests required by UL924, and NFPA 101. The system indicates the status of the unit at all times using the LED indicator near the test switch on the bottom of the unit. A 90 minute battery power (emergency mode) simulation test will occur randomly once every six months.

A 30 second battery power simulation test will occur every 30 days. The charger function is tested upon initial power-up and after every battery discharge cycle thereafter. The AC/DC power transfer circuit is monitored continuously.

The charging mode is also monitored. The unit goes into a high charge mode for 24 hours the first time AC power is applied and when a discharge causes the battery voltage to fall below its nominal value. Pressing the test switch causes the unit to use battery power and test the battery capacity for 30 seconds.

The LED indicator is off when the unit is in the emergency mode and on continuously when the unit is fully charged. The LED blinks when the unit is in the high charge mode. It blinks twice (then repeats) when the battery needs to be replaced, or if it is disconnected. It blinks three times if there is a circuit board (charger or AC/DC transfer function) failure, and four times if there is a lamp failure.

#### DIMENSIONS



AtLite 023-414	
<b>WatchGuard EMS</b>	
Indicator	Meaning
● Steady	Float Charge
● Pulse	High Charge
● - ●	Battery Failure
● - ● - ●	Circuit Failure
● - ● - ● - ●	Lamp Failure
TEST	INDICATOR



SPLASH ZONE



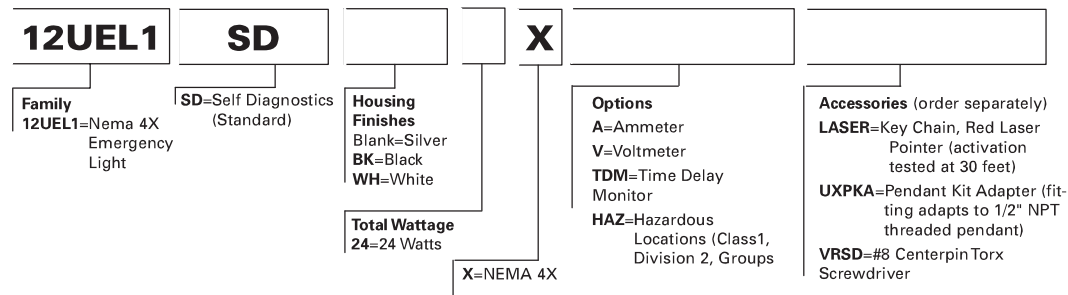
#### ORDERING INFORMATION - NEW YORK CITY

#### ORDERING INFORMATION - NATIONAL

Catalog No.	Capacity in Watts (Hours)				No. Heads	Watts	Lamp Type	Replacement Lamp	Ship Wt.
	1.5	2	3	4					
<b>6 VOLT</b>									
12UEL1SD24X	24	--	--	--	2	12	MR16	29-141	--

#### ORDERING INFORMATION

SAMPLE NUMBER: 12UEL1SD24



### Mounting Shelf

**DESCRIPTION**

The AtLite Mounting Shelf simplifies installation of many emergency lighting units. Specify the fixture to be mounted when ordering shelf.

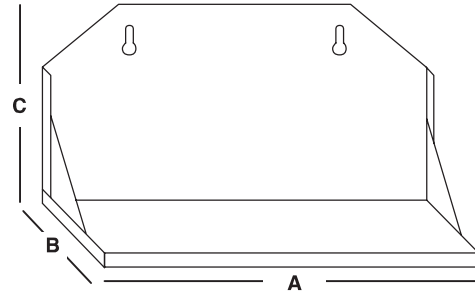
Catalog No.	Dimensions - (mm)		
	A	B	C
<b>MS100</b>	14 1/2"	5 1/8"	8 1/2"
	(368)	(130)	(216)
<b>MS200</b>	20"	5 1/8"	8 1/2"
	(508)	(130)	(216)

**MOUNTING SHELF FOR UNIT EQUIPMENT**

Catalog No.	MS
-------------	----

When ordering, please specify catalog number of unit to be used with shelf.

- 14 gauge steel
- Corrosion resistant undercoat
- White powder coat finish
- Keyhole mounting slots provided
- 1/2" retaining lip on three sides



### Wire Guards

**DESCRIPTION**

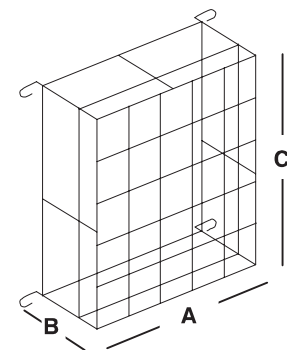
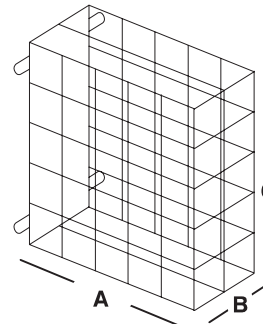
AtLite Wire Guards can be used with emergency or exit units. Screw eyes are provided for ease of mounting. Attractive white powder coat finish allows guard to blend into background.

**WIRE GUARDS**

Catalog No.	Mount	For use with	Dimensions (mm)		
			A	B	C
<b>GXB</b>	Wall	AC Only Exit	16 3/8"	6 5/8"	16 3/8"
			(416)	(168)	(416)
<b>GXC</b>	Ceiling-End Wall	AC Only Exit	16 3/8"	6 5/8"	16 3/8"
			(416)	(168)	(416)
<b>GXBW</b>	Wall	Self-Powered Equipment	19 1/4"	9 5/8"	16 1/4"
			(489)	(244)	(413)
<b>GXBC</b>	Ceiling-End Wall	Self-Powered Equipment	19 1/4"	9 5/8"	16 1/4"
			(489)	(244)	(413)

When ordering, please specify catalog number of unit to be used with guard.

- Collapsible wire construction
- White powder coat finish
- Corrosion resistant undercoat



### Laser Option

**DESCRIPTION**

The AtLite Laser Option is a factory-installed option that allows unit testing from the floor by use of an LED laser pointer. Laser testing is easier than common routine testing such as turning off a circuit breaker or using a ladder to get up to high ceilings. A laser pointer beam is directed at a target located on a typical emergency light or self-powered exit sign and activates the emergency back-up system.

Units can be tested from as far as 75 feet easily and accurately. Maintenance staff, security people and others will find this a great way to avoid the difficulties commonly associated with routine emergency light testing. Additionally, the Laser is also an excellent way to "exercise" the batteries in emergency lights. It is believed that such "exercise," consisting of battery discharging and recharging, will extend battery life.

The test switch is actuated by either a finger or laser pointer. A separate laser target may be located near the standard test switch. The combined test switch/laser target or separate laser target shall have a filter lens to eliminate random activating due to high ambient or spurious light.

**Ordering Information – add to selected Catalog Number<sup>1)</sup>**

<b>L</b>	Laser Option installed
<b>LP</b>	Laser Option installed and pointer supplied

## Low Voltage Remote Option

### DESCRIPTION

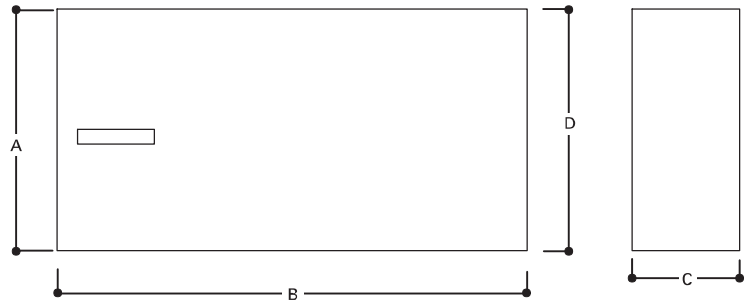
The AtLite Low Voltage Remote Option is a factory-installed option that allows connection of MR16 type lamp remote low voltage fixtures on selected emergency lighting models. Use of this option will allow low voltage lighting, such as decorative overhead and counter display lighting, to be part of the emergency lighting plan.

The option accomplishes this with a series of control relays that when wired according to the instructions disconnect the secondary of the transformer supplied with the low voltage fixtures applying emergency power to the MR16 lamp(s) for 90 minutes during a power failure. Each low voltage fixture is contractor connected to a relay circuit by means of screw terminals. Circuit markings located adjacent to the screw terminals assures proper wiring. As much as 100 watts per circuit or 50 watts per fixture can be connected to a circuit. Four circuits can be accommodated with a maximum of 100 watts per each circuit.

It is important that any of the selected emergency lights, (minimum 54 watts), be ordered less lighting heads. The addition of a suffix indicating the amount of circuits required must be added to the model number. Example 12HC400-0-4LVR represents a selected 400 watt unit without lighting heads and with four (4) circuits (relays) for use with up to 8-50watt MR16 fixtures.

Note: LVR system for use with magnetic low voltage transformer only.

### DIMENSIONS



### ORDERING INFORMATION - NEW YORK CITY

Catalog No.	Capacity in Watts (Hours)				Dimensions - (mm)				Ship Wt.	No. of LVRs	No. of MR16 Fixtures
	1.5	2	3	4	A	B	C	D			
<b>12 VOLT</b>											
12ACNY4-0	54	44	--	--	14"	13"	2 5/8"	9"	19	1	1
					(355)	(330)	(67)	(229)			
12ACNY5-0	100	75	50	45	14"	13"	4 1/8"	9"	22	1	2
					(355)	(330)	(165)	(229)			
12HCNY7-0	200	150	100	90	14"	18 5/8"	4"	9"	38	2	4
					(355)	(473)	(102)	(229)			
12HCNY8-0	300	225	150	135	14"	18 5/8"	7 1/2"	9"	64	3	6
					(355)	(473)	(191)	(229)			
12HCNY9-0	400	300	200	180	14"	18 5/8"	7 1/2"	9"	74	4	8
					(355)	(473)	(191)	(229)			

### ORDERING INFORMATION - NATIONAL

Catalog No.	Capacity in Watts (Hours)				Dimensions - (mm)				Ship Wt.	No. of LVRs	No. of MR16 Fixtures <sup>(1)</sup>
	1.5	2	3	4	A	B	C	D			
<b>12 VOLT</b>											
12AC54-0	54	44	36	--	14"	13"	2 5/8"	9"	19	1	1
					(355)	(330)	(67)	(229)			
12AC100-0	100	75	50	45	14"	13"	4 1/8"	9"	22	1	2
					(355)	(330)	(165)	(229)			
12HC200-0	200	150	100	90	14"	18 5/8"	4"	9"	38	2	4
					(355)	(473)	(102)	(229)			
12HC300-0	300	225	150	135	14"	18 5/8"	7 1/2"	9"	64	3	6
					(355)	(473)	(191)	(229)			
12HC400-0	400	300	200	180	14"	18 5/8"	7 1/2"	9"	74	4	8
					(355)	(473)	(191)	(229)			

<sup>(1)</sup> Based on 50W MR16 fixture, other wattage consult factory

### OPTIONS AND ACCESSORIES

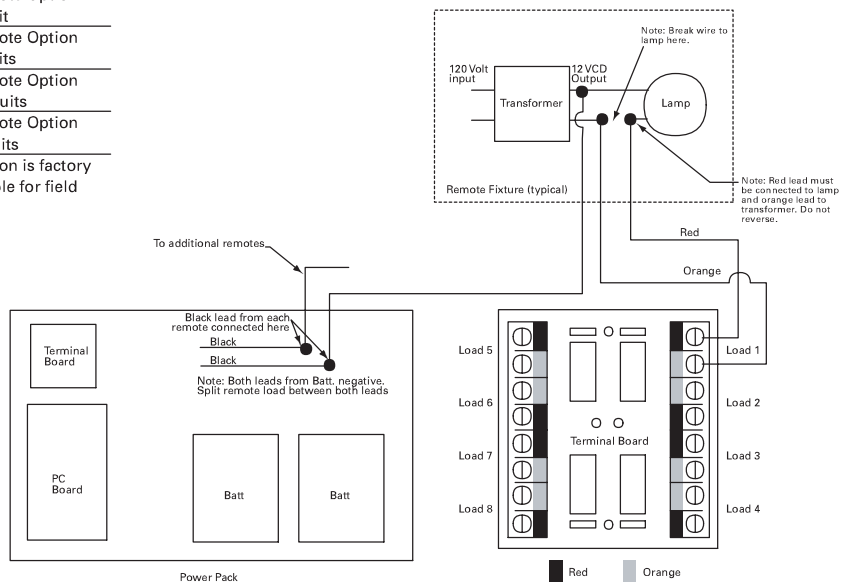
#### Ordering Information - add to selected Catalog Number<sup>(1)</sup>

- 1LVR Low Voltage Remote Option with one (1) circuit
- 2LVR Low Voltage Remote Option with two (2) circuits
- 3LVR Low Voltage Remote Option with three (3) circuits
- 4LVR Low Voltage Remote Option with four (4) circuits

<sup>(1)</sup> Low Voltage Remote Option is factory installed only; not available for field installation.

**Caution:** Total connected load must not exceed battery capacity. Typically each connected remote fixture requires 50 watts each. Battery units are supplied with 100, 200, 300 or 400 watt capacities.

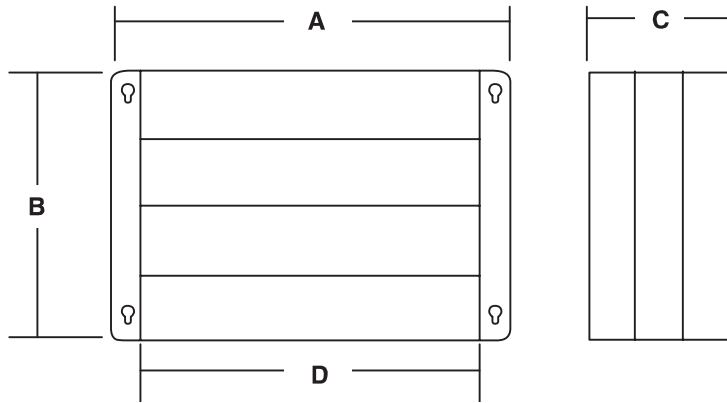
Please check for battery capacity before connecting remotes.



**DESCRIPTION**

Originally designed for use in New York City Schools, AtLite's series of heavy duty guards are constructed of 18 gauge 1/2" angle welded steel. Guards for battery units and remotes will allow for full adjustment of the heads. Keyhole slots are included on all guards for easy installation and maintenance. Standard powder coat finish is available in black or white.

**DIMENSIONS**



Guard	A	B	C	D
<b>A</b>	15" (381mm)	10" (254mm)	13 1/2" (343mm)	12 7/8" (327mm)
<b>AE</b>	25 7/8" (657mm)	18" (457mm)	10" (254mm)	23 7/8" (606mm)
<b>CE</b>	20" (508mm)	8 3/4" (222mm)	9 5/8" (244mm)	18" (457mm)
<b>EXW</b>	19 3/4" (502mm)	12 1/2" (318mm)	5" (127mm)	17 3/4" (451mm)
<b>EXE</b>	5 1/4" (133mm)	13" (330mm)	19" (483mm)	3 1/4" (83mm)

**A GUARD**

**DESCRIPTION**

15" W x 10" H x 13 1/2" D — For use with QFL fixtures.

**AE GUARD**

**DESCRIPTION**

25 7/8" W x 18" H x 10" D — For use with all battery units with and without heads-up to 400W. Std. Finish-White.

**EXW GUARD**

**DESCRIPTION**

19 3/4" W x 12 1/2" H x 5" D — For use with 6" and 8" WALL mounted exits. Std. Finish- Black

**EXE GUARD**

**DESCRIPTION**

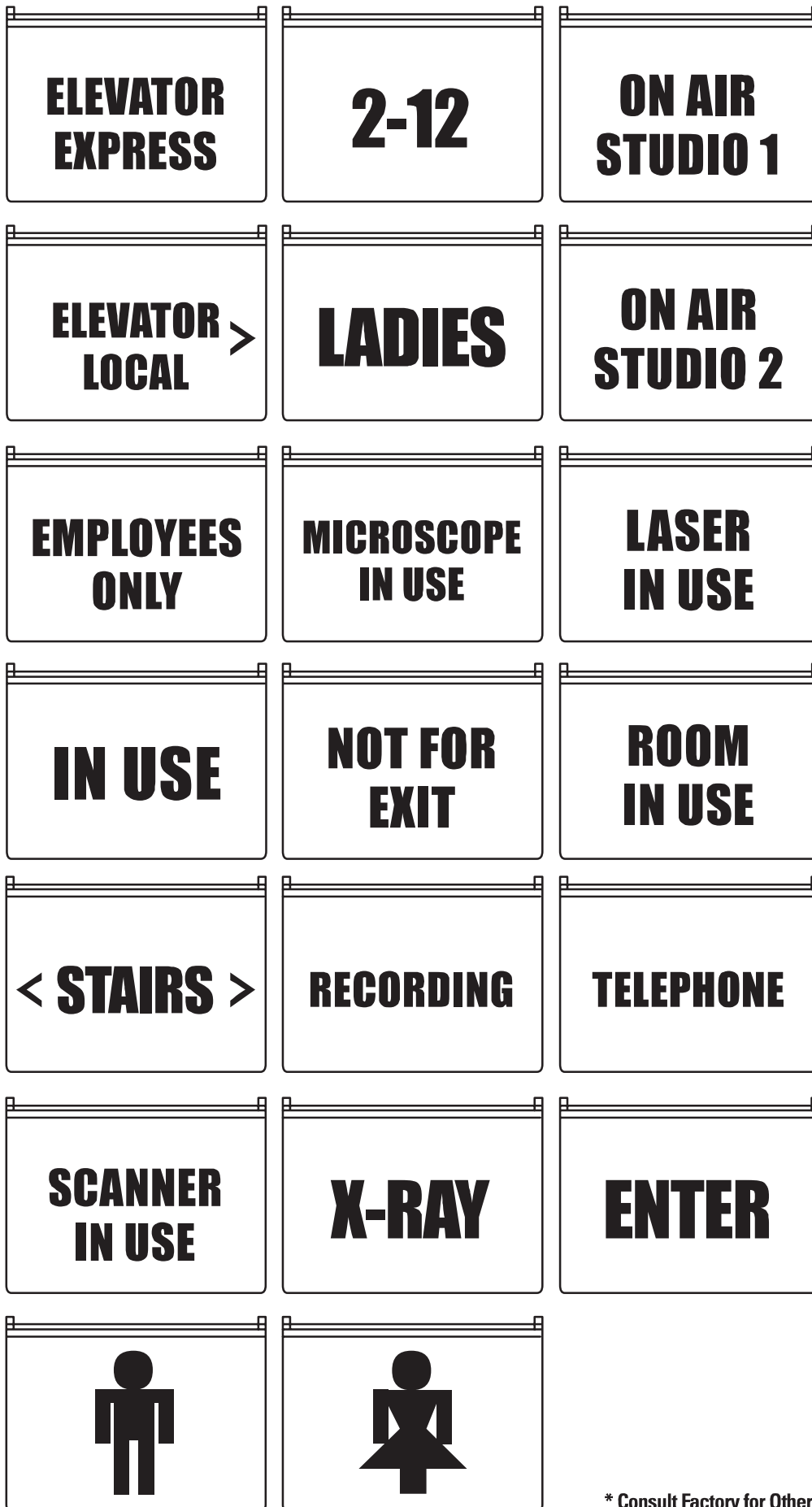
19" W x 13" H x 5 1/4" D — For use with 6" and 8" END mounted exits. Std. Finish- Black

**CE GUARD**

**DESCRIPTION**

18" W x 8 3/4" H x 9 5/8" D — For use with two and three head remotes as well as certain battery units (PC1-10, CB6 as examples). Std. Finish-White





\* Consult Factory for Other Available Legends

<b>STEEL PANEL DESCRIPTIONS</b>	<b>SIGN</b>	<b>COLOR</b>
IN USE	6"	RED/WHT
LASER IN USE	6"	RED/WHT
X-RAY	6"	RED/WHT
ON AIR	6"	RED/WHT
X-RAY ON	6"	RED/WHT
X-RAY IN USE	6"	RED/WHT
AREA OF RESCUE	6"	RED/WHT
NOT AN EXIT	6"	RED/WHT
DARK ROOM IN USE	6"	RED/WHT
RADIATION IN USE	6"	RED/WHT
BEAM ON	6"	RED/WHT
FIRE	6"	RED/WHT
MEN	6"	
WOMEN	6"	
RECORDING	6"	RED/WHT
RESTROOMS	6"	
DO NOT ENTER	6"	
OCCUPIED	6"	
ROOM IN USE	6"	
LADIES	6"	WHT LTR/GRN
THE MAGNET IS ON	N/A	
OCCUPIED	6"	WHT/BLK
OCCUPIED 1	6"	WHT/BLK
OCCUPIED 2	6"	WHT/BLK
OCCUPIED 3	6"	WHT/BLK
ON AIR	6"	
IN USE	6"	GRN/WHT
WHEEL CHAIR SYMBOL	6"	WHT/RED
MEDICATION ROOM	6"	RED/WHT
IN USE	6"	BLK LTR/WHT
RADIATION ON	6"	RED/WHT
CT/RADIOGRAPHY IN USE	8"	RED/WHT
ON AIR	8"	RED/WHT
LASER IN USE	8"	RED/WHT
AREA OF RESCUE		
ASSISTANCE W/HANDICAPPED SYMBOL	8"	
WHEEL CHAIR SYMBOL	8"	
"MEN" "WOMEN"		
"WHEEL CHAIR" SYMBOLS ONLY	8"	BLU/WHT
IN USE	8"	
AREA OF RESCUE	8"	RED/WHT
X-RAY ON	8"	RED/WHT
<b>STEEL STENCIL</b>		
IN USE	6"	
BEAM ON	6"	
READY	6"	
EXIT CUST. FONT HISTORICAL	8"	
IN USE	8"	
DARK ROOM IN USE	8"	
FIRE ESCAPE	8"	
AREA OF REFUGE	8"	

**\* Consult Factory for Other Available Legends**



**INCANDESCENT PAR 36 SEALED BEAM**

Watts	Lamp Cat. No.	Volts	Lumens	Photometrics Chart No.
7.2	6RS7	6	95	2
9.0	6RS9	6	108	3
12.0	6RS12	6	137	10
18.0	6RS18	6	158	8
25.0	6RS25	6	318	9
30.0	6RS30	6	380	-
9.0	12RS9	12	111	3
12.0	12RS12	12	177	10
18.0	12RS18	12	213	8
25.0	12RS25	12	327	11
50.0	12RS50	12	590	-

**INCANDESCENT WEDGE BASE**

Watts	Lamp Cat. No.	Volts	Lumens	Photometrics Chart No.
3.6	6RW3	6	50	1
5.4	6RW5	6	75	(1)
7.2	6RW7	6	101	2
9.0	6RW9	6	132	3
12.0	6RW12	6	163	4
5.4	12RW5	12	75	(1)
9.0	12RW9	12	132	3
12.0	12RW12	12	163	4
18.0	12RW18	12	260	6

(1) Note: Photometrics for 6RW5 and 12RW5 use 75% of Chart No. 2

**HALOGEN—BI PIN**

Watts	Lamp Cat. No.	Volts	Lumens	Photometrics Chart No.
6	6HB6	6	113	3
8	6HB8	6	163	4
10	6HB10	6	201	5
12	6HB12	6	302	6
20	6HB20	6	402	7
8	12HB8	12	163	4
12	12HB12	12	302	6

**INCANDESCENT DOUBLE CONTACT BAYONET BASE**

Watts	Lamp Cat. No.	Volts	Lumens	Photometrics Chart No.
6	6RD6	6	56	2
13	6RD13	6	122	2
18	6RD18	6	211	5
25	6RD25	6	360	6
6	12RD6	12	56	2
13	12RD13	12	153	4
25	12RD25	12	360	6

**HALOGEN PAR 36 SEALED BEAM**

Watts	Lamp Cat. No.	Volts	Lumens	Photometrics Chart No.
6	6HS6	6	107	3
8	6HS8	6	155	4
10	6HS10	6	191	5
12	6HS12	6	302	6
20	6HS20	6	382	7
8	12HS8	12	155	4
12	12HS12	12	302	6

**Wire Calculations for Voltage Drop Protection**

To design a proper emergency lighting system, wire must be sufficiently sized to maintain a proper operating voltage to all lamps. Maximum allowable voltage drop should not exceed 5%. Proper wire size may be determined from the following formula and table:

$$CM = \frac{22 \times W \times L}{.05 \times E^2}$$

- CM – Wire size in circular mils
- W – Emergency light load in Watts
- L – Length of circuit in feet
- E – Line voltage
- 22 – Constant
- .05 – Factor for maximum allowable voltage drop

Using this formula and having calculated the circular mils required to carry the specified load at the allowable voltage drop, the following table will identify the wire size from the circular mil size listed.

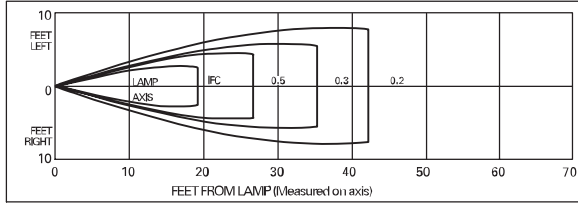
Circular Mil. Size	Ampere Capacity	Wire Gauge
6.530	20	12
10.380	25	10
16.510	35	8
26.250	50	6
41.740	70	4

**WIRING DISTANCE IN FEET (Maximum Voltage Drop 5%)**

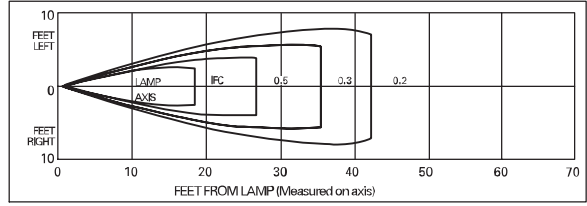
Watts	6 volt wire size				12 volt wire size				
	#12	#10	#8	#6	#12	#10	#8	#6	#4
9	68	109	173	270	272	436	692	1080	-
13	41	65	110	165	165	260	415	660	1050
18	30	47	75	120	110	190	300	475	760
25	21	32	54	86	85	136	215	340	540
30	18	28	45	71	71	112	180	285	455
35	15	24	39	62	61	97	154	245	390
50	11	17	27	43	42	68	108	170	275
60	9	14	22	36	35	52	90	140	225
75	8	11	18	29	29	45	72	114	182
100	6	9	14	22	21	34	54	86	137
150	4	6	9	15	14	23	36	57	91
200	-	-	7	11	10	17	27	43	68
250	-	-	-	9	8	14	21	34	55
300	-	-	-	-	-	11	18	28	45

1

Horizontal Distribution

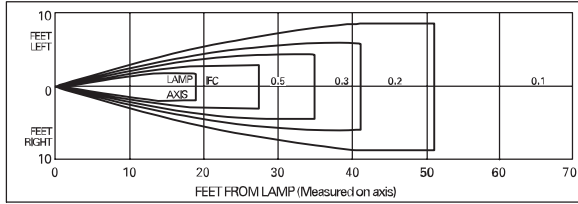


Vertical Distribution

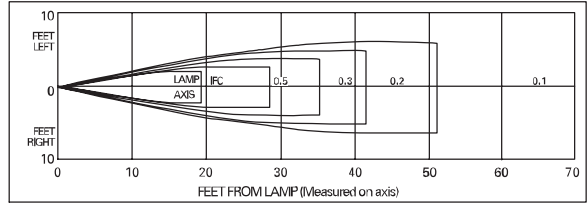


2

Horizontal Distribution

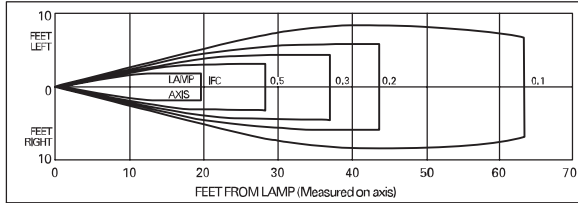


Vertical Distribution

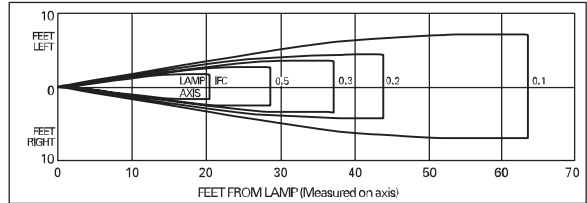


3

Horizontal Distribution

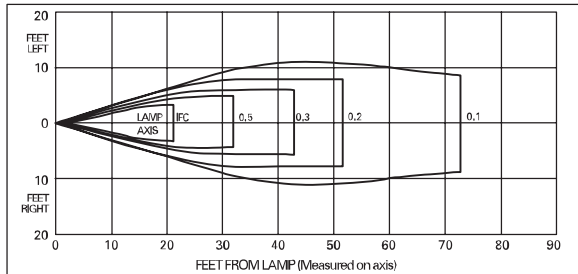


Vertical Distribution

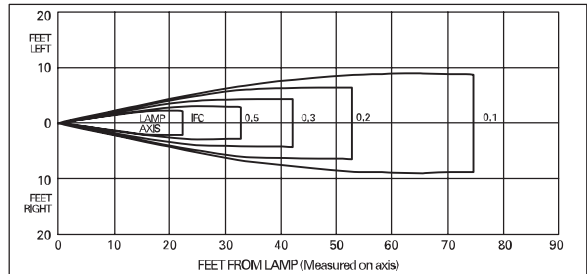


4

Horizontal Distribution

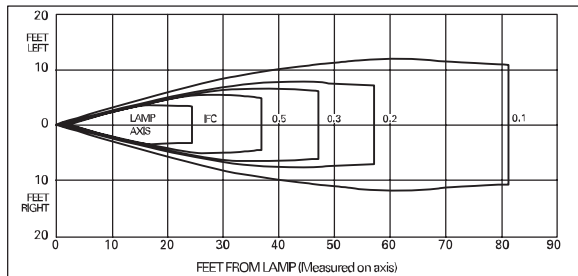


Vertical Distribution

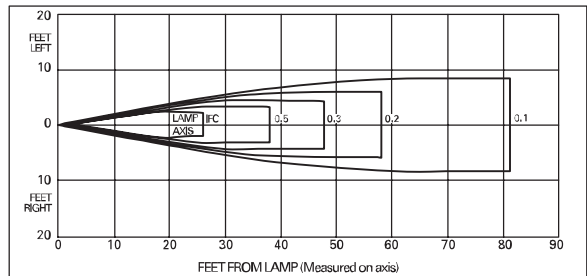


5

Horizontal Distribution

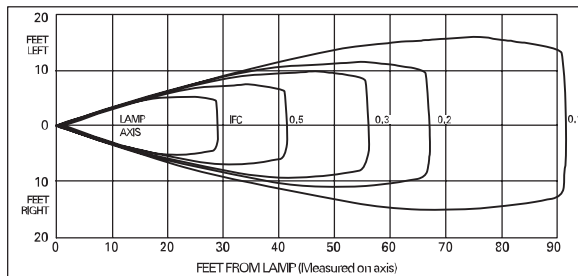


Vertical Distribution

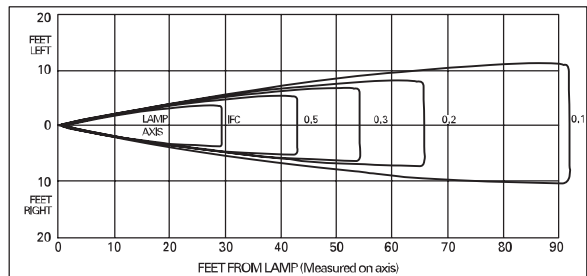


6

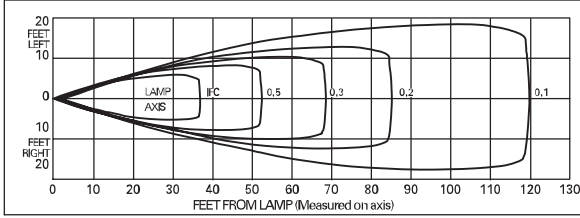
Horizontal Distribution



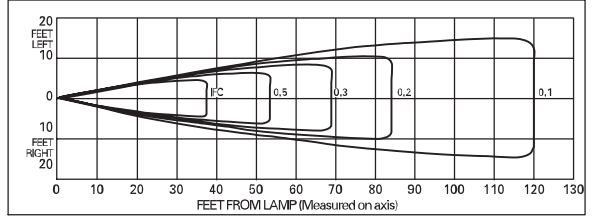
Vertical Distribution



Horizontal Distribution

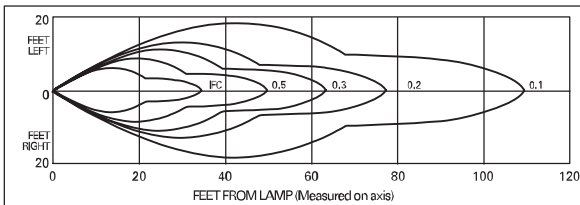


Vertical Distribution

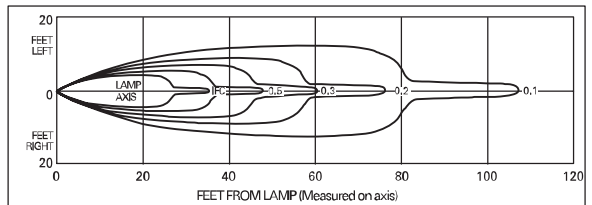


7

Horizontal Distribution

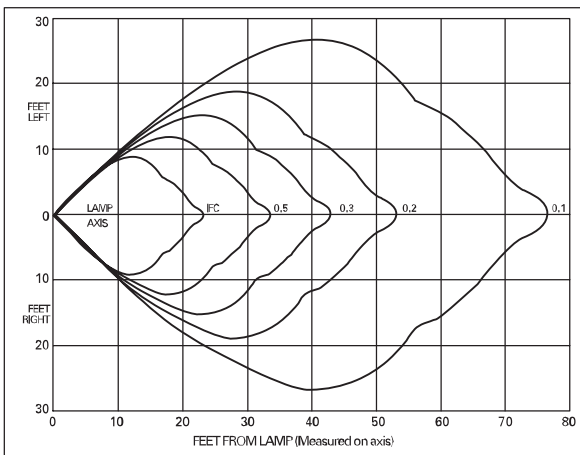


Vertical Distribution

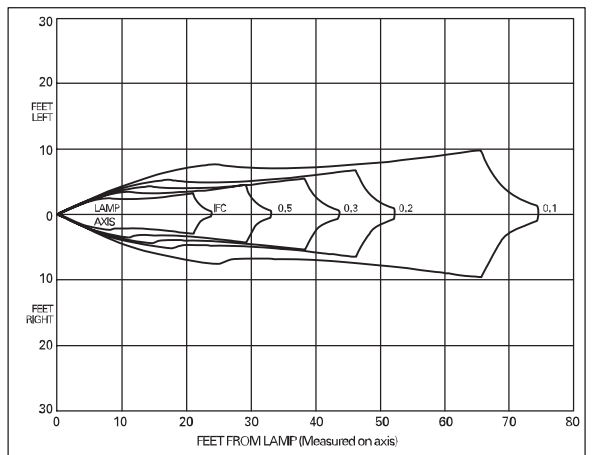


8

Horizontal Distribution

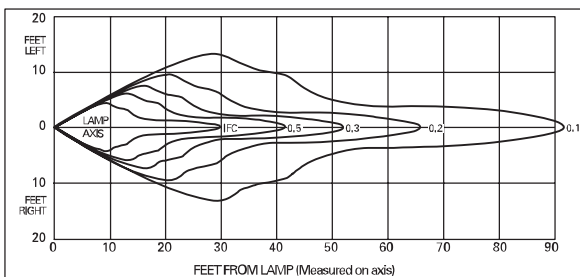


Vertical Distribution

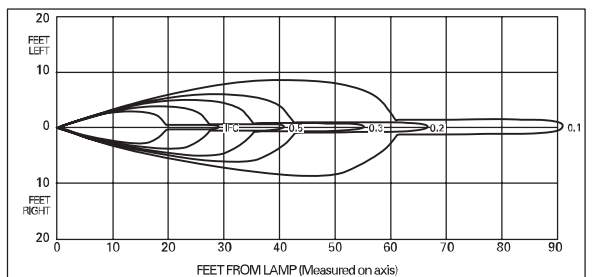


9

Horizontal Distribution

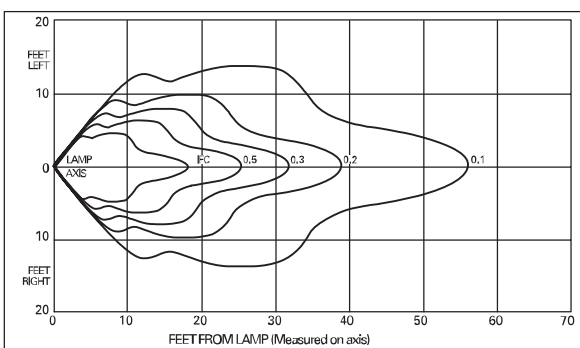


Vertical Distribution

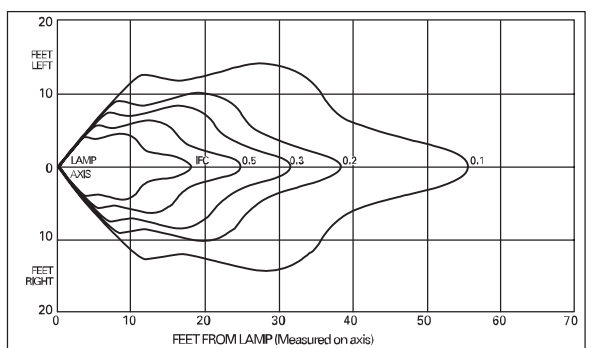


10

Horizontal Distribution



Vertical Distribution



11

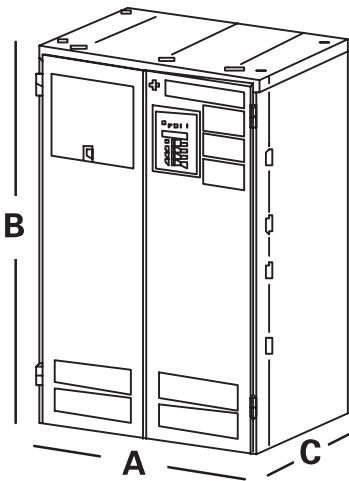


## ILLUMINATOR II SINGLE PHASE FTC SERIES

1.5-15 KW  
HID, Fluorescent and  
Incandescent

### ON-LINE POWER INVERTER SYSTEMS

- Many voltage combinations available
- Available from 1.5 to 15 KW
- Fast Transfer System
- LCD Control and Display Panel
- Status LEDs provide visual information for Input & Output Voltage, Battery Voltage, Battery Output Current, Output VA, Temperature, Inverter Wattage
- Serial RS232 Port to display information on a remote CRT screen
- Pure PWM Sinewave
- Available maintenance bypass switch
- Output circuit breakers available
- Maintenance-Free, Sealed Lead-Calcium batteries
- Formed steel housing is finished in a durable polyester powder coat
- Intelligent computer interface panel is attractive and easy to operate
- UL 924 listed, New York City approved (Calendar #37411), UL 924 (Auxiliary), CSA Certified



### ORDERING INFORMATION - NEW YORK CITY

### ORDERING INFORMATION - NATIONAL

Part Number	Inverter Electronics Module								Batteries		Battery Module						AC Input						
	Power Rating (kVA)		Power Rating (kW)		Efficiency (@ full load)		Audible Noise (dBA @ 1m) <sup>1</sup>		Heat Loss (BTU)		Number of Batteries	Voltage (VDC)		Current (Amperes)		Run Time (mins)		Number of Battery Cabinets	120VAC		277VAC		
	A	B	A	B	A	B	A	B	A	B		A	B	A	B	A	B		Running Maximum	Running Maximum	Running Maximum	Running Maximum	
	Cabinet Dimensions				Weight		Total Weight		Cabinet Dimensions		Weight		Cabinet Dimensions		Weight								
	in/cm	in/cm	in/cm	in/cm	lbs/kg	lbs/kg	in/cm	in/cm	in/cm	in/cm	lbs/kg	in/cm	in/cm	in/cm	lbs/kg	in/cm	in/cm						
FTC1	1.5	1.5	98	45	75	30/77	47/119	25/64	215/98	296/135	4	48	39	90	na <sup>2</sup>	na <sup>2</sup>	na <sup>2</sup>	na <sup>2</sup>	na <sup>2</sup>	12.9A	16A	5.5A	7A
FTC2	2.25	2.25	98	45	100	30/77	47/119	25/64	230/105	444/202	6	72	38	90	na <sup>2</sup>	na <sup>2</sup>	na <sup>2</sup>	na <sup>2</sup>	na <sup>2</sup>	19.3A	24A	8.3A	11A
FTC3	3.0	3.0	98	45	160	30/77	47/119	25/64	235/107	592/269	8	96	38	90	na <sup>2</sup>	na <sup>2</sup>	na <sup>2</sup>	na <sup>2</sup>	na <sup>2</sup>	25.7A	32A	11.1A	14A
FTC4	3.75	3.75	98	45	200	30/77	47/119	25/64	240/109	740/336	10	120	37	90	na <sup>2</sup>	na <sup>2</sup>	na <sup>2</sup>	na <sup>2</sup>	na <sup>2</sup>	32.1A	39A	13.9A	17A
FTC5	4.8	4.8	98	45	245	30/77	47/119	25/64	280/128	888/403	12	144	40	90	na <sup>2</sup>	na <sup>2</sup>	na <sup>2</sup>	na <sup>2</sup>	na <sup>2</sup>	41.2A	50A	17.8A	22A
FTC6	6.0	6.0	98	45	300	30/77	47/119	25/64	300/137	1110/504	15	180	40	90	30/77	47/119	25/64	150/69	1	51.5A	63A	22.3A	27A
FTC7	8.0	8.0	98	45	400	30/77	47/119	25/64	335/152	1480/672	20	240	39	90	30/77	47/119	25/64	150/69	1	68.6A	84A	29.7A	36A
FTC8	10.0	10.0	98	45	500	30/77	47/119	25/64	440/200	1776/806	24	144	82	90	30/77	47/119	25/64	300/137	2	85.8A	105A	37.1A	45A
FTC9	12.5	12.5	98	45	660	30/77	47/119	25/64	460/209	2220/1007	30	180	82	90	30/77	47/119	25/64	300/137	2	107.2A	131A	46.4A	57A
FTC10	16.7	16.7	98	45	840	30/77	47/119	25/64	500/227	2960/1343	40	240	80	90	30/77	47/119	25/64	300/137	2	143.3A	174A	62.0A	76A

### SPECIFICATION DATA

#### INPUT

- Voltage - 120 or 277VAC 1-phase 2-wire +10%-15%. Contact factory for all other voltages.
- Input Power - Walk-in Limiting inrush current to less than 125%, 10 times for 1 line cycle.
- Input Frequency - 60Hz, +/-3%, 50Hz Available upon request.
- Synchronizing Slew Rate - 1Hz per second nominal.
- Protection - Input Circuit Breaker
- Harmonic Distortion - < 10%
- Power Factor - 0.5 lag/lead

#### OUTPUT

- Voltage - 120 or 277VAC 1-phase 2-wire. Contact factory for all other voltages.
- Static Voltage - Load current change +/-2%, battery discharge +/-12.5%.
- Dynamic Voltage - +/-2% for +/-25% load step change, +/-3% for a 50% load step change, recovery within 3 cycles.
- Harmonic Distortion - <3% THD for linear load
- Overload - Fuse protected
- Output Frequency - 60Hz +/- 0.05Hz during emergency mode
- Load Power Factor - 0.5 lag to 0.5 lead
- Inverter Overload - 125% for 5 minutes
- Protection - Optional Distribution Circuit Breakers

#### BATTERY

- Type - Valve-regulated sealed lead-calcium (standard). See page 4 for additional battery options.
- Charger - Microprocessor controlled for various battery types and temperature compensating (recharge per UL924 spec)
- Protection - Automatic low-battery disconnect; automatic restart upon utility return.
- Disconnect - Fuse
- Optional Runtimes - Extended runtimes available. Consult factory.

#### ENVIRONMENTAL

- Altitude - <10,000 feet (above sea level) without de-rating.
- Operating Temperature - System operates safely from 0° to 40°C (32° to 104°F) up to 95% humidity. UL rating, 20° to 30°C (68° to 86° F), includes battery performance which can be affected by temperature. Contact factory for details.
- Storage Temperature - -20° to 70°C (electronics only).
- Relative Humidity - < 95% (non-condensing).

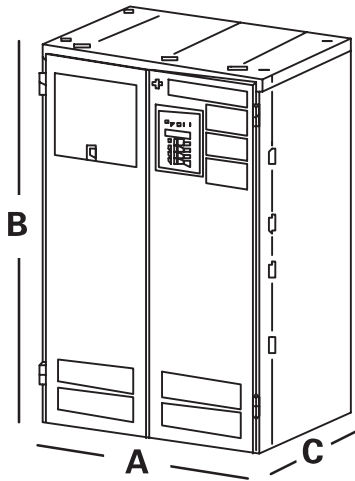
#### GENERAL

- Transfer Time - 2 milliseconds
- Design - Stand-by no break. PWM inverter type utilizing IGBT technology with 2mS transfer time.
- Generator Input - Compatible with generators.
- Control Panel - Microprocessor controlled 2 x 20-character display with touch pad controls & function 5 LED indicators & alarm with ring-back feature.
- Metering - Input & Output Voltage, Battery Voltage, Battery & Output Current, Output VA, Temperature, Inverter Wattage.
- Alarms - High/Low Battery Charger Fault, Near Low Battery, Low Battery, Load Reduction Fault, Output Overload, High/Low AC Input Volts, High Ambient Temperature, Inverter Fault, Output Fault, Optional Circuit Breaker Trip.
- Communications - RS-232 port (DB9)
- Manual Maintenance Bypass - Optional internal or optional external without internal distribution breakers
- Alarm Contacts - Optional Summary Form "C" Contact
- Warranty - 1 year standard warranty includes all parts, labor & travel expenses within 48 contiguous states. Up to 10 years prorated warranty on batteries. Extended warranties, preventative maintenance and customized service plans are available.
- Factory Start-up - Purchase factory start-up & receive 1 additional year of warranty

#### PHYSICAL

- Cabinet - Freestanding NEMA Type 1
- Cooling - Forced Air, during emergency mode
- Cable Entry - Top or side
- Access - Front

DIMENSIONS



ILLUMINATOR II  
SINGLE PHASE  
ISC SERIES

1.5-15 KW  
Fluorescent and  
Incandescent

ON-LINE POWER  
INVERTER SYSTEMS

- Many voltage combinations available
- Available from 1.5 to 15 KW
- Fast Transfer System
- LCD Control and Display Panel
- Status LEDs provide visual information for Input & Output Voltage, Battery Voltage, Battery Output Current, Output VA, Temperature, Inverter Wattage
- Serial RS232 Port to display information on a remote CRT screen
- Pure PWM Sinewave
- Available maintenance bypass switch
- Output circuit breakers available
- Maintenance-Free, Sealed Lead-Calcium batteries
- Formed steel housing is finished in a durable polyester powder coat
- Intelligent computer interface panel is attractive and easy to operate
- UL 924 listed, New York City approved (Calendar #37411), UL 924 (Auxiliary), CSA Certified

ORDERING INFORMATION - NEW YORK CITY      ORDERING INFORMATION - NATIONAL

Part Number	Inverter Electronics Module							Batteries	Battery Module						AC Input											
	Power Rating (kVA)		Power Rating (kW)		Efficiency (@ full load)		Audible Noise (dBA @ 1m) <sup>1</sup>		Heat Loss (BTU)	Number of Batteries		Voltage (VDC)		Current (Amperes)		RunTime (mins)		Number of Battery Cabinets		120VAC		277VAC				
	A	B	A	B	A	B				A	B	A	B	A	B	A	B	A	B	A	B	Running Maximum	Running Maximum	Running Maximum	Running Maximum	
	Cabinet Dimensions			Cabinet Dimensions			Weight lbs/kg		Total Weight lbs/kg	Cabinet Dimensions		Cabinet Dimensions		Cabinet Dimensions		Cabinet Dimensions		Cabinet Dimensions		Cabinet Dimensions		Cabinet Dimensions				
in/cm	in/cm	in/cm	in/cm	in/cm	in/cm	in/cm		in/cm		in/cm	in/cm	in/cm	in/cm	in/cm	in/cm	in/cm	in/cm	in/cm	in/cm	in/cm	in/cm	in/cm				
ISC1	1.5	1.5	98	45	75	30/77	47/119	25/64	215/98	296/135	4	48	39	90	na <sup>2</sup>	na <sup>2</sup>	na <sup>2</sup>	na <sup>2</sup>	na <sup>2</sup>	na <sup>2</sup>	na <sup>2</sup>	na <sup>2</sup>	12.9A	16A	5.5A	7A
ISC2	2.25	2.25	98	45	100	30/77	47/119	25/64	230/105	444/202	6	72	38	90	na <sup>2</sup>	na <sup>2</sup>	na <sup>2</sup>	na <sup>2</sup>	na <sup>2</sup>	na <sup>2</sup>	na <sup>2</sup>	na <sup>2</sup>	19.3A	24A	8.3A	11A
ISC3	3.0	3.0	98	45	160	30/77	47/119	25/64	235/107	592/269	8	96	38	90	na <sup>2</sup>	na <sup>2</sup>	na <sup>2</sup>	na <sup>2</sup>	na <sup>2</sup>	na <sup>2</sup>	na <sup>2</sup>	na <sup>2</sup>	25.7A	32A	11.1A	14A
ISC4	3.75	3.75	98	45	200	30/77	47/119	25/64	240/109	740/336	10	120	37	90	na <sup>2</sup>	na <sup>2</sup>	na <sup>2</sup>	na <sup>2</sup>	na <sup>2</sup>	na <sup>2</sup>	na <sup>2</sup>	na <sup>2</sup>	32.1A	39A	13.9A	17A
ISC5	4.8	4.8	98	45	245	30/77	47/119	25/64	280/128	888/403	12	144	40	90	na <sup>2</sup>	na <sup>2</sup>	na <sup>2</sup>	na <sup>2</sup>	na <sup>2</sup>	na <sup>2</sup>	na <sup>2</sup>	na <sup>2</sup>	41.2A	50A	17.8A	22A
ISC6	6.0	6.0	98	45	300	30/77	47/119	25/64	300/137	1110/504	15	180	40	90	30/77	47/119	25/64	150/69	1	51.5A	63A	22.3A	27A			
ISC7	8.0	8.0	98	45	400	30/77	47/119	25/64	335/152	1480/672	20	240	39	90	30/77	47/119	25/64	150/69	1	68.6A	84A	29.7A	36A			
ISC8	10.0	10.0	98	45	500	30/77	47/119	25/64	440/200	1776/806	24	144	82	90	30/77	47/119	25/64	300/137	2	85.8A	105A	37.1A	45A			
ISC9	12.5	12.5	98	45	660	30/77	47/119	25/64	460/209	2220/1007	30	180	82	90	30/77	47/119	25/64	300/137	2	107.2A	131A	46.4A	57A			
ISC10	16.7	16.7	98	45	840	30/77	47/119	25/64	500/227	2960/1343	40	240	80	90	30/77	47/119	25/64	300/137	2	143.3A	174A	62.0A	76A			

SPECIFICATION DATA

INPUT

- Voltage - 120 or 277VAC 1-phase 2-wire +10%-15%. Contact factory for all other voltages.
- Input Power - Walk-in Limiting inrush current to less than 125%, 10 times for 1 line cycle.
- Input Frequency - 60Hz, +/-3%, 50Hz Available upon request.
- Synchronizing Slow Rate - 1Hz per second nominal.
- Protection - Input Circuit Breaker
- Harmonic Distortion - < 10%
- Power Factor - 0.5 lag/lead

OUTPUT

- Voltage - 120 or 277VAC 1-phase 2-wire. Contact factory for all other voltages.
- Static Voltage - Load current change +/-2%, battery discharge +/-12.5%.
- Dynamic Voltage - +/-2% for +/-25% load step change, +/-3% for a 50% load step change, recovery within 3 cycles.
- Harmonic Distortion - <3% THD for linear load
- Overload - Fuse protected
- Output Frequency - 60Hz +/- 0.05Hz during emergency mode
- Load Power Factor - 0.5 lag to 0.5 lead
- Inverter Overload - 125% for 5 minutes
- Protection - Optional Distribution Circuit Breakers

BATTERY

- Type - Valve-regulated sealed lead-calcium (standard). See page 4 for additional battery options.
- Charger - Microprocessor controlled for various battery types and temperature compensating (recharge per UL924 spec)
- Protection - Automatic low-battery disconnect; automatic restart upon utility return.
- Disconnect - Fuse
- Optional Runtimes - Extended runtimes available. Consult factory.

ENVIRONMENTAL

- Altitude - <10,000 feet (above sea level) without de-rating.
- Operating Temperature - System operates safely from 0° to 40°C (32° to 104°F) up to 95% humidity. UL rating, 20° to 30°C (68° to 86° F), includes battery performance which can be affected by temperature. Contact factory for details.
- Storage Temperature - -20° to 70°C (electronics only).
- Relative Humidity - < 95% (non-condensing).

GENERAL

- Transfer Time - 50 milliseconds
- Design - Stand-by no break. PWM inverter type utilizing IGBT technology with 2mS transfer time.
- Generator Input - Compatible with generators.
- Control Panel - Microprocessor controlled 2 x 20-character display with touch pad controls & function 5 LED indicators & alarm with ring-back feature.
- Metering - Input & Output Voltage, Battery Voltage, Battery & Output Current, Output VA, Temperature, Inverter Wattage.
- Alarms - High/Low Battery Charger Fault, Near Low Battery, Low Battery, Load Reduction Fault, Output Overload, High/Low AC Input Volts, High Ambient Temperature, Inverter Fault, Output Fault, Optional Circuit Breaker Trip.
- Communications - RS-232 port (DB9)
- Manual Maintenance Bypass - Optional internal or optional external without internal distribution breakers
- Alarm Contacts - Optional Summary Form "C" Contact
- Warranty - 1 year standard warranty includes all parts, labor & travel expenses within 48 contiguous states. Up to 10 years prorated warranty on batteries. Extended warranties, preventative maintenance and customized service plans are available.
- Factory Start-up - Purchase factory start-up & receive 1 additional year of warranty

PHYSICAL

- Cabinet - Freestanding NEMA Type 1
- Cooling - Forced Air, during emergency mode
- Cable Entry - Top or side
- Access - Front



### ILLUMINATOR II THREE PHASE SERIES

4.8-50 kVA  
HID, Fluorescent and  
Incandescent

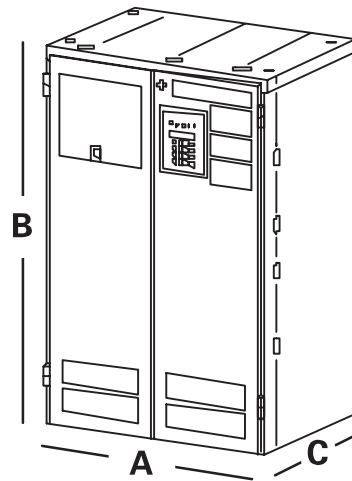
#### ON-LINE POWER INVERTER SYSTEMS

- Choice of 120/208 VAC or 277/480 VAC, 60 Hz; other voltages available, consult Cooper Lighting Representative
- Available from 4.8 to 50 kVA
- Three Phase, WYE or DELTA configurations
- 98% efficiency
- PWM/GBT Technology
- 115% overload capacity
- Sine wave output
- 80 db transverse mode noise attenuation
- 120 db common mode noise attenuation
- Input circuit breaker
- Battery circuit breaker on 24 kVA and up
- Sealed lead calcium batteries standard
- Output distortion <3% THD Linear Load
- Solid State
- RS-232 Communication
- Formed steel cabinet and doors are finished in a durable powder coat
- Front access doors allow easy entry for servicing
- Acoustically Quiet
- UL 924 Listed

#### DESCRIPTION

The AtLite Illuminator II Three Phase represents the highest performance in uninterruptible technology while the transistorized inverter is providing power protection. Ready for virtually any emergency with this stand by power system. This pulse width modulated inverter has 2 millisecond transfer time. The AC in to AC out operating efficiency is typically 98%, well above a typical fast transfer inverter. The internal construction of each cabinet consists of an AC to DC battery charger, DC to AC inverter.

#### DIMENSIONS



#### ORDERING INFORMATION - NEW YORK CITY

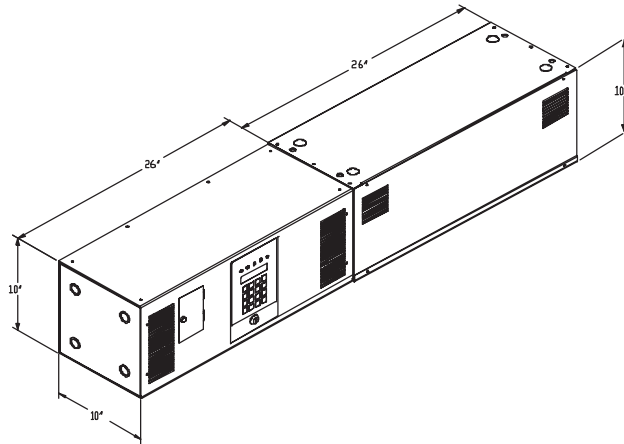
#### ORDERING INFORMATION - NATIONAL

Part Number	Inverter Electronics Module							Batteries		Battery Module							Total Number of Cabinets			
	Power Rating (kVA)							Number of Batteries	Total Weight lbs/kg	Voltage (VDC)			Current (Amperes)				Number of Battery Cabinets	Total Number of Cabinets		
	Power Rating (kW)									Run Time (mins)			Run Time (mins)							
	Efficiency (@ full load)							Cabinet Dimensions		Cabinet Dimensions			Cabinet Dimensions							
Audible Noise (dBA @ 1m) <sup>1</sup>							A	B	A	B	C	A	B	C	A	B	C	Weight lbs/kg	Weight lbs/kg	
Heat Loss (BTU)							in/cm	in/cm	in/cm	in/cm	in/cm	in/cm	in/cm	in/cm	in/cm	in/cm	in/cm	in/cm	in/cm	in/cm
C3FT004	4.8	4.8	97	45	245	30/77	46/117	22/56	440/200	1548/703	na <sup>2</sup>	144	39	90	30/77	46/117	22/56	na <sup>2</sup>	1	2
C3FT006	6.0	6.0	97	45	300	30/77	47/119	25/64	440/200	1770/804	na <sup>2</sup>	180	39	90	30/77	46/117	22/56	na <sup>2</sup>	1	2
C3FT008	8.0	8.0	97	45	400	30/77	47/119	25/64	440/200	2360/1072	na <sup>2</sup>	240	39	90	30/77	46/117	22/56	na <sup>2</sup>	2	3
C3FT010	10.0	10.0	97	45	500	30/77	47/119	25/64	520/237	2736/1243	na <sup>2</sup>	144	81	90	30/77	46/117	22/56	na <sup>2</sup>	2	3
C3FT012	12.5	12.5	97	45	660	30/77	47/119	25/64	520/237	3180/1444	na <sup>2</sup>	180	81	90	30/77	46/117	22/56	na <sup>2</sup>	2	3
C3FT016	16.7	16.7	97	45	840	30/77	47/119	25/64	520/237	4140/1880	na <sup>2</sup>	240	81	90	30/77	47/119	25/64	na <sup>2</sup>	3	4
C3FT024	24.0	24.0	97	45	1200	44/112	72/183	31/79	665/302	5165/2803	na <sup>2</sup>	240	117	90	48/122	72/183	31/79	na <sup>2</sup>	2	3
C3FT033	33.0	33.0	97	45	1500	44/112	72/183	31/79	775/352	7775/3535	na <sup>2</sup>	240	160	90	48/122	72/183	31/79	na <sup>2</sup>	2	3
C3FT040	40.0	40.0	97	45	1980	44/112	72/183	31/79	855/389	9855/4481	na <sup>2</sup>	240	194	90	48/122	72/183	31/79	na <sup>2</sup>	3	4
C3FT050	50.0	50.0	97	45	2520	44/112	72/183	31/79	975/443	11475/5216	na <sup>2</sup>	240	243	90	48/122	72/183	31/79	na <sup>2</sup>	3	4

#### SPECIFICATION DATA

<b>Input Voltage</b>	120/208 or 277/480VAC 3-phase 4 wire +1% - 15% (Wye configuration)
<b>Input Frequency</b>	60Hz, ±3%, 50Hz available upon request
<b>Input Protection</b>	Input Circuit Breaker
<b>Input Harmonic Distortion</b>	<10%
<b>Input Power Factor</b>	.5 lag/lead
<b>Output Voltage</b>	120/208 or 277/480VAC 3-phase 4 wire (Wye or Delta configuration)
<b>Static Voltage</b>	Load current change ±4%, battery discharge ±4%
<b>Dynamic Voltage</b>	±3% for ±25% load step change, ±6% for a 50% load step change, recovery within 3 cycles
<b>Output Harmonic Distortion</b>	<3% THD for linear load
<b>Output Frequency</b>	60 Hz ±0.05Hz during emergency mode
<b>Load Power Factor</b>	.5 lag to .5 lead
<b>Inverter Overload</b>	115% for 5 minutes
<b>Output Protection</b>	Output Circuit Breaker (Optional)
<b>Battery</b>	Sealed Lead Calcium
<b>Environmental</b>	
<b>Humidity</b>	<95% (non-condensing)
<b>Operating Temp.</b>	20° to +30°C
<b>Storage Temp.</b>	-20° to 70°C (Electronics only)
<b>Altitude</b>	<10,000 feet without derating

**DIMENSIONS**



**DESCRIPTION**

The new AtLite Illuminator Micro Inverter Series fast transfer inverter is a lightweight, compact unit that takes the place of larger cabinets when space is at a premium. The new modular design allows the Micro Series inverter to be configured to meet varying KW requirements from 500W to 2000W. The Micro can be configured at the factory to meet the specified job load requirements or it can be field configured at the job site when an upgrade or downgrade in load capacity is needed. In addition, the versatility of the modular design allows the individual inverter and battery cabinets to be mounted on the floor or wall, side by side, or stacked when mounting space is at a premium. The Micro Series individual inverter and individual battery cabinets are only 26"Wx10"Hx10"D providing the smallest inverter footprint in the industry. The Micro Series inverter is UL924 listed and meets NFPA 101 requirements providing the full 90 minutes of illumination for emergency egress lighting.



**ILLUMINATOR II MICRO INVERTER Series**

**500VA - 2,000VA  
HID, Fluorescent and  
Incandescent**

**ON-LINE POWER  
INVERTER LIGHTING**

**CHICAGO CODE  
EMERGENCY LIGHTING**

**ORDERING INFORMATION - NEW YORK CITY**

**ORDERING INFORMATION - NATIONAL**

Part Number	Wattage Rating	VA Rating	Input Voltage	Output Voltage	Battery Weight (lbs.)	System Weight (lbs.)	Cabinet H"xW"xD"	Cabinet Qty
CMFT005	500	500	120 or 277	120 or 277	107	206	10x26x10	2
CMFT010	1000	1000	120 or 277	120 or 277	214	335	10X26X10	3
CMFT015	1500	1500	120 or 277	120 or 277	321	464	10X26X10	4
CMFT020	2000	2000	120 or 277	120 or 277	427	592	10x26x10	5

**SPECIFICATION DATA**

<b>Input Voltage</b>	120 or 277 VAC, Two wire plus ground, +10/-15%
<b>Input Frequency</b>	60Hz, ±3Hz
<b>Synchronizing Slew Rate</b>	1Hz per second
<b>Input Protection</b>	Input Circuit Breaker
<b>Output Voltage</b>	120 or 277 VAC
<b>Crest Factor</b>	2.8 = peak/rms
<b>Voltage THD</b>	<3% THD for Linear Load
<b>Output Frequency</b>	60 Hz ±0.05Hz Crystal Controlled
<b>Inverter Overload</b>	115% for 5 minutes
<b>Output Voltage Regulation</b>	±3% for ±25% load step change
<b>Output Protection</b>	(1) Output Circuit Breaker
<b>Battery</b>	Maintenance free sealed lead calcium 48 VDC for all models
<b>Environmental</b>	
<b>Humidity</b>	<95% (non-condensing)
<b>Operating Temp.</b>	20° to +30°C
<b>Storage Temp.</b>	-20° to 70°C (Electronics only)
<b>Altitude</b>	<10,000 feet without derating

- Choice of 120V or 277VAC, 60Hz; other voltages available, Consult Cooper Lighting Representative
- Available from 500 to 2000 Watts
- Single Phase
- Field upgradeable from 500W to 2000W
- Self Testing and Diagnostic with Event, Test and Alarm logs
- User programmable with password protection for alarms and diagnostics
- 98% efficient in standby mode - no fan needed for cooling
- Battery, Input and Output Protection Circuit Breakers
- Maintenance Free Sealed Lead Calcium Batteries
- Formed 16 gauge steel housing is finished in a durable powder coat finish
- Small footprint, lightweight size allows for wall and floor mounting
- Front circuit breaker and fuse access panel for easy routine maintenance
- Modular design for ease of installation when space is at a premium
- UL 924 Listed, Meets NFPA 101 Requirements

# INDEX

PRODUCT NO.	PAGE NO.	PRODUCT NO.	PAGE NO.	PRODUCT NO.	PAGE NO.
6AC10	18	12ACNY5	19	FP450	35
6AC27	19	12ACNY5-3	19	FP550	35
6AC54	19	12AN50	23	FP1100	35
6AC100	19	12AN72	23	FP1500	35
6ACNY1	19	12BC54	20	FP2200	35
6ACNY4	19	12BCNY2	20	FR-XLA1	9
6ACNY5	19	12BCNY3-3	20	FR-XLN1	9
6ACNY5-3	19	12BCNY4	20	FTP-1-17-120	33
6AN25	23	12BCNY4-3	20	FTP-2-17-120	33
6BC10	20	12HC200	22	FTP-1-20-120	33
6BC15	20	12HC300	22	FTP-1-20-277	33
6BC18	20	12HC400	22	FTP-2-20-120	33
6BC27	20	12HCNY7	22	FTP-2-20-277	33
6BCNY1	20	12HCNY8	22	FTP-1-32-120	33
6BCNY18	20	12HCNY9	22	FTP-2-32-120	33
6HC200	22	12ROB24	30	FTP-1-40-120	33
6HCNY7	22	12ST1	29	FTP-1-40-277	33
6RG10	31	12ST4	29	FTP-2-40-120	33
6RG27	31	12TC54	28	FTP-2-40-277	33
6ROB10	30	12TC100	28	GXB	49
6RSQ10	32	12TCNY4	28	GXC	49
6RSQ27	32	12TCNY5	28	GXBW	49
6ST1	29	12UEL1	48	GXBC	49
6ST4	29	12X NEMA	47	Heavy Duty Guards	51
6ST5	29	CA12	21	ISO Footcandle Charts	52-53
6TC27	28	CA12-54	21	Lamp Charts	55
6TC54	28	CA12-54-3	21	Laser Option	49
6TC100	28	CA6	21	LC2	15
6TCNY1	28	CA6-54	21	Low Voltage Remote Option	50
6TCNY4	28	CA6-54-3	21	Marathon Legends	52-53
6TCNY5	28	CB12	21	Marathon Recessed	5
6X NEMA	47	CB12-54	21	Marathon Surface	4
12AC54	19	CA12-54-3	21	MS100	49
12AC100	19	CB6	21	MS200	49
12ACNY2	19	CB6-54	21	PAB	13
12ACNY3-3	19	CB6-54-3	21	PAL	13
12ACNY4	19	FP30	35	PC1-10	24
12ACNY4-3	19	FP94	35	PC1D10	25



PRODUCT NO.	PAGE NO.	PRODUCT NO.	PAGE NO.
PC2-10	26	XLA2	10
PC2-27	26	XLC4	11
PC2D10SQ	27	XLCNY8L	12
PC3	16	XLCNY8SDL	12
PC4	17	XLN1	8
PNL	13	XLN2	10
PNLD	14		
Power Inverters	58-61		
RF301	36		
RF302	36		
RF303	36		
RF312	38		
RF313	38		
RF314	38		
RF401	37		
RF402	37		
RF403	37		
RF412	39		
RF413	39		
RF414	39		
RF501	44		
RF502	44		
RF503	41		
RF504	43		
RF549	42		
RF549WB	42		
RF556	42		
RF557	42		
RF557-12	42		
RF558	42		
RF558-13	42		
RF603	40		
Rival REUR Recessed	7		
Rival REUS Surface	6		
SL StairLite	34		
Steel Series Legends	54		
UX Series	46		
X NEMA	45		
XLA1	8		

# ATLITE® RECESSED LIGHTING

IC (INSULATED CEILING)/AIR-TITE™

## • Miniature Recessed ICAT



**Z1ICAT**  
New Work Low Voltage  
Standard Housing



**Z1ICAT2**  
New Work Low Voltage  
Compact Housing



**L1ICAT**  
New Work Line  
Voltage Housing

## • Standard Recessed ICAT



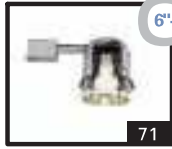
**WICAT5**  
New Work Reduced  
Aperture Housing



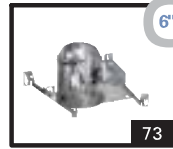
**WRICAT5**  
Remodel Housing



**WICAT2**  
New Work Housing



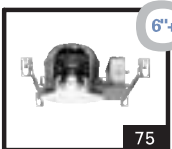
**WRICAT2**  
Remodel Housing



**WICAT2NB**  
Fixed Socket Position  
(No Bracket)



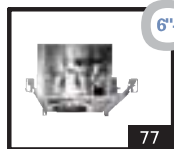
**WICAT2U**  
Universal Housing



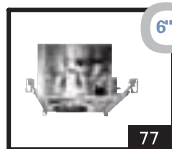
**W12ICAT**  
Shallow Housing



**CF5ICAT**  
Compact Fluorescent  
Housing 13Watt



**CW318-ICAT**  
Compact Fluorescent  
Housing 18Watt



**CW326-ICAT**  
Compact Fluorescent  
Housing 26Watt



**CW3ICAT**  
Compact Fluorescent  
Housing 13Watt



**P988ICAT**  
Square Housing



**P9111ICAT**  
Square Housing

## NON-IC AND IC

### • Miniature Recessed- Non-IC and IC



**Z1, Z2**  
New Work Low  
Voltage Housing



**ZR1**  
Remodel Low Voltage  
Housing



**Z1-75**  
New Work Line  
Voltage Housing



**L1**  
New Work Line  
Voltage Housing

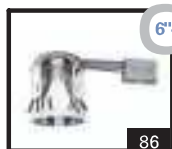


**LR1**  
Remodel Line  
Voltage Housing

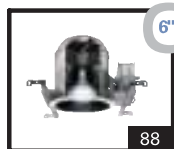
### • Standard Recessed- Non-IC and IC



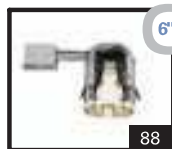
**W1**  
New Work Housing  
Non-IC



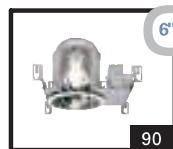
**WR1**  
Remodel Housing  
Non-IC



**WIC2**  
New Work Housing IC



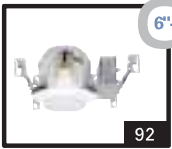
**WRIC2**  
Remodel Housing IC



**W3**  
Compact Fluorescent New  
Work Housing Non-IC  
13Watt



**WR3**  
Compact Fluorescent  
Remodel Housing Non-IC  
13Watt



**W12**  
Shallow New Work  
Housing Non-IC

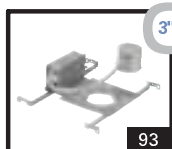


**WR12**  
Shallow Remodel Housing  
Non-IC

### • LiteAll™ Non-IC



**A2TP**  
Cones and Baffles



**A22TP**  
Cones and Baffles



**A1TP**  
Cones and Baffles



**A12TP**  
Cones and Baffles


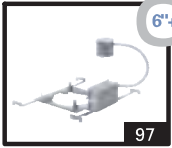

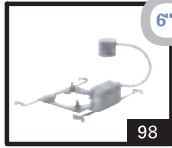









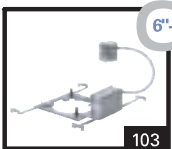


**A3TP**  
Cones and Baffles



**A32TP**  
Cones and Baffles

• LiteAll™ Non-IC


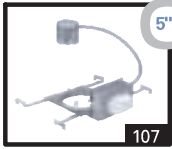
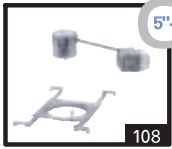
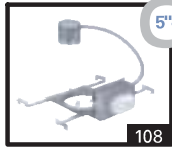

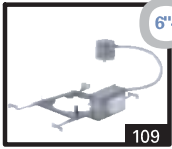

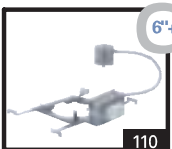
 A5TP Regressed Eyeballs	 A32TP Regressed Eyeballs	 A3TP Eyeball	 A32TP Eyeball	 A5TP Adjustable	 A32TP Adjustable
 A3TP Wall Wash	 A32TP Wall Wash	 A3TP Regressed Lenses	 A32TP Regressed Lenses	 A3TP Alzak® Reflectors	 A32TP Alzak® Reflectors
 A3TPDL Shower Lite	 A32TPDL Shower Lite				

COMMERCIAL PRODUCTS

• Commercial Downlighting Non-IC

 CH213/CH228 Compact Fluorescent Downlights Two Lamp Horizontal 13 Watt & 28 Watt	 CH218/CH226 Compact Fluorescent Downlights Two Lamp Horizontal 18 Watt & 26 Watt	 CS/CR218 Low Profile Downlight New Work & Old Work
---------------------------------------------------------------------------------------------------------------------------------------------------------------------------------	---------------------------------------------------------------------------------------------------------------------------------------------------------------------------------	------------------------------------------------------------------------------------------------------------------------------------------------

• LiteAll™ Non-IC

 A6 Double Twin Tube Compact Fluorescent 9 Watt	 A62 Double Twin Tube Compact Fluorescent 9 Watt	 A7 Double Twin Tube Compact Fluorescent 13 Watt	 A72 Double Twin Tube Compact Fluorescent 13 Watt	 A8 Double Twin Tube Compact Fluorescent 9 Watt	 A82 Double Twin Tube Compact Fluorescent 9 Watt
 A9 Double Twin Tube Compact Fluorescent 13 Watt	 A92 Double Twin Tube Compact Fluorescent 13 Watt				

SPECIALTY

 407TP, 404TP Shower Lights	 427TP, 424TP Shower Lights	 R30TP, R40TP High Hats	 R309TP, R409TP High Hats	 P988TP Squares, Non IC	 P9111TP Squares, Non IC
----------------------------------------------------------------------------------------------------------------------	----------------------------------------------------------------------------------------------------------------------	------------------------------------------------------------------------------------------------------------------	---------------------------------------------------------------------------------------------------------------------	--------------------------------------------------------------------------------------------------------------------	---------------------------------------------------------------------------------------------------------------------

 Cast Aluminum Brackets	 Recessed Fluorescent	 Step Lights
------------------------------------------------------------------------------------------------------------------	-------------------------------------------------------------------------------------------------------------	----------------------------------------------------------------------------------------------------

MOUNTING ACCESSORIES

 116
---------------------------------------------------------------------------------------------

# Air-Tite™ Fixtures

# AtLite®

AtLite provides lighting solutions that meet New York ECCC Standards.



## Energy Conservation Construction Code of New York State

### Basic Requirements Guide

"Recessed lighting fixtures must be 1) IC rated with no penetrations, or 2) IC rated in accordance with ASTM283, or 3) installed inside an air-tight assembly with a 0.5 inch (12.76 mm) clearance from any combustible material and a 3 inch (76 mm) clearance from insulation material."

### Commercial and High-Rise Residential Section III [Building] Envelope Compliance Guide

"Recessed lighting fixtures must be air-tight and rated for insulation contact (IC); i.e., rated for direct contact with insulation. A non-IC rated fixture is acceptable if installed in a sealed, airtight box and is not in direct contact with insulation according to code."

#### AIR-TITE™ HOUSINGS

AtLite offers a complete family of IC-rated Air-Tite™ housings for any application.

- 4" Incandescent L11CAT
- 4" Low Voltage Z11CAT, Z11CAT2
- 5" Incandescent/Compact Fluorescent WICAT5, WRICAT5, CF51CAT
- 6" Incandescent WICAT2, WRICAT2, WICAT2NB, WICAT2U, W121CAT
- 6" Compact Fluorescent CW31CAT, CW318-ICAT, CW326-ICAT
- 9"/11" Square Incandescent 988-2WICAT, 988-4WICAT, 9111-2WICAT, 9111-4WICAT



#### Energy Efficient

##### Recessed Lighting

AtLite Air-Tite™ energy efficient recessed lighting is the perfect solution for controlling rising energy costs and providing the comfort and peace-of-mind of sealed construction.

#### ATLITE AIR-TITE™ BENEFITS

##### Reduce heating and air conditioning bills.

Air-Tite™ is energy efficient, preventing both energy "leaks" into and out of the home. Maintains integrity of insulation R values by preventing condensation of moisture in insulation.

##### Eliminate drafts for greater comfort.

Standard recessed housings allow outside air to leak through the housing creating drafts – Air-Tite™ housings eliminate drafts.

##### Prevent moisture damage to ceilings.

The Air-Tite™ sealed construction prevents condensation from forming in cooler places of the home, such as attics. Reduces mold and mildew, providing better structural integrity and air quality.

##### Reduce sound transmission between rooms.

Air-Tite™ construction decreases the transfer of sound between rooms for a quieter environment.

##### Meets Code Requirements

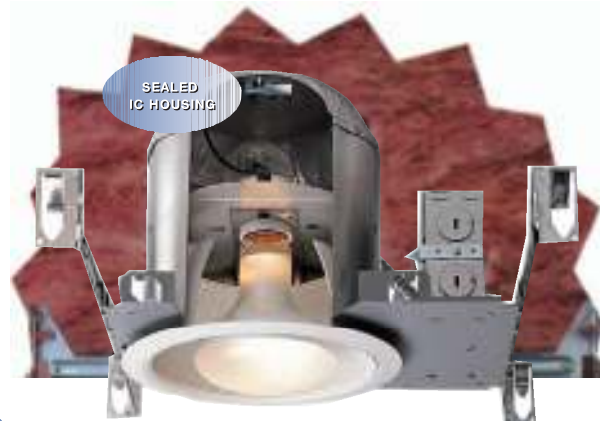
- ECCC New York State
- IECC - International Energy Conservation Code
- MEC - Model Energy Code
- WSEC - Washington State Energy Code
- Certified under ASTM E283

## ENERGY EFFICIENT DESIGN

AtLite Air-Tite™ sealed construction saves money by preventing conditioned air losses through housing and ceiling openings.

#### SEALED IC HOUSING

Standard recessed housings allow 5.0 cubic feet per minute of air leakage to escape into unconditioned space. AtLite Air-Tite™ prevents this leakage by sealing all air pathways between living areas and attic spaces. Sealed housing can be completely buried in insulation.






## DESCRIPTION

Miniature diameter AIR-TITE™ IC-housing for low voltage accent and task lighting. (50W Maximum)



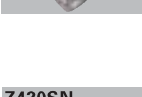
## BAFFLES

	<b>Z133</b> <b>Z133WB</b> <b>Lamp:</b> 20/42/50W 12V MR16 <b>OD:</b> 5"	Black Baffle w/Gloss White Trim White Baffle w/Gloss White Trim		<b>Z493SN</b> <b>Lamp:</b> 20/42/50W 12V MR16 <b>OD:</b> 5 1/16"	Black Coilex® Baffle - Plastic, Satin Nickel Trim
	<b>Z233</b> <b>Z233PB</b> <b>Z233WB</b> <b>Lamp:</b> 20/42/50W 12V MR16 <b>OD:</b> 5"	Black Coilex® Baffle w/Matte White Trim - 35° Tilt Black Coilex® Baffle w/Polished Brass Trim - 35° Tilt White Coilex® Baffle w/Matte White Trim - 35° Tilt		<b>Z453SN</b> <b>Lamp:</b> 20/42/50W 12V MR16 <b>OD:</b> 5 1/16"	Satin Nickel Coilex® Baffle - Metal, Satin Nickel Trim
				<b>Z419SN</b> <b>Z419</b> <b>Lamp:</b> 20/42/50W 12V MR16 <b>OD:</b> 5 1/16"	Open Coilex® Pinhole, Satin Nickel Trim & Baffle Open Coilex® Pinhole, Matte White Trim w/Black Baffle

## REFLECTORS

	<b>Z135</b> <b>Z136</b> <b>Lamp:</b> 20/42/50W 12V MR16 <b>OD:</b> 5"	Clear Cone w/Gloss White Trim Gold Cone w/Gloss White Trim		<b>Z421SN</b> <b>Lamp:</b> 20/42/50W 12V MR16 <b>OD:</b> 5 1/16"	Satin Nickel Reflector Cone with Satin Nickel Trim, 35° Tilt
	<b>Z235</b> <b>Z236</b> <b>Lamp:</b> 20/42/50W 12V MR16 <b>OD:</b> 5"	Clear Cone w/Matte White Trim Gold Cone w/Matte White Trim			


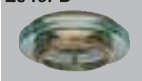
## ADJUSTABLES

	<b>Z145</b> <b>Lamp:</b> 20/42/50W 12V MR16 <b>OD:</b> 5"	Gloss White Eyeball w/Gloss White Trim		<b>Z498SN</b> <b>Z498</b> <b>Lamp:</b> 20/42/50W 12V MR16 <b>OD:</b> 5 1/16"	Eyeball - 30° Tilt Satin Nickel Trim, Black Coilex® Baffle Eyeball - 30° Tilt Matte White Trim, Black Coilex® Baffle
	<b>Z152</b> <b>Lamp:</b> 20/42/50W 12V MR16 <b>OD:</b> 5"	Gloss White Slot Aperture Trim		<b>Z496SN</b> <b>Z496</b> <b>Lamp:</b> 20/42/50W 12V MR16 <b>OD:</b> 5 1/16"	Retractable Elbow - 50° Tilt Satin Nickel Trim Retractable Elbow - 50° Tilt Matte White Trim
	<b>Z495SN</b> <b>Z495</b> <b>Lamp:</b> 20/42/50W 12V MR16 <b>OD:</b> 5 1/16"	Gimbal Adjustable - 30° Tilt Satin Nickel Trim Gimbal Adjustable - 30° Tilt Matte White Trim		<b>Z420SN</b> <b>Z420</b> <b>Lamp:</b> 20/42/50W 12V MR16 <b>OD:</b> 5 1/16" (slot - 1 3/8" x 2 1/4")	Slot Aperture - 35° Tilt Satin Nickel Trim Slot Aperture - 35° Tilt Matte White Trim

## DIFFUSERS

	<b>Z451SNS</b> <b>Z451WS</b> <b>Lamp:</b> 20/42/50W 12V MR16 <b>OD:</b> 5 1/16"	Shower Light, Satin Nickel Trim Ring Shower Light, Matte White Trim Ring			
-------------------------------------------------------------------------------------	------------------------------------------------------------------------------------------	-----------------------------------------------------------------------------	--	--	--

## OPEN

	<b>Z945</b> <b>Z945BL</b> <b>Z945RS</b> <b>Lamp:</b> 20/42/50W 12V MR16 <b>OD:</b> 5 5/16"	Metropolitan Ice Lite, Frosted Glass Metropolitan Ice Lite, Blue Frosted Glass Metropolitan Ice Lite, Rose Frosted Glass		<b>Z946PB</b> <b>Z946BC</b> <b>Lamp:</b> 20/42/50W 12V MR16 <b>OD:</b> 5 5/8"	Metropolitan Deco, Translucent Discs w/Polished Brass Ring Metropolitan Deco, Translucent Discs w/Black Chrome Ring
-------------------------------------------------------------------------------------	--------------------------------------------------------------------------------------------------------	--------------------------------------------------------------------------------------------------------------------------------	-------------------------------------------------------------------------------------	----------------------------------------------------------------------------------------	------------------------------------------------------------------------------------------------------------------------



## Z1ICAT NEW WORK AIR-TITE™ IC HOUSING

Low Voltage Housing - IC  
Air-Tite™

### RECESSED LIGHTING

#### Housing Features

- Insulated ceiling housing UL listed for direct contact with ceiling insulation.
- Insulated ceiling housing also limits air leakage from conditioned areas into open joist and plenum spaces.
- Includes integral thermal protector to insure against improper lamping
- Junction box is UL listed for through branch circuit wiring. Includes knockouts.
- Unit includes captive bar hangers to span 24" joists and can be rotated 90°.
- **Z1ICAT:** 120 Volt, Magnetic Transformer, 50W Max.

#### Installation Features

- 7 1/4" height for 2" x 8" construction.
- Housing removes from plaster frame for junction box and transformer access.
- Housing adjusts for up to 1" thick ceiling.

#### Listings

- UL Damp Location
- UL Feed Through
- Meets New York ECCC and IECC
- Meets State of Washington Restricted Air Flow Requirements
- ASTM E283 certified

#### Dimensions

- Height: 7 1/4"
- Housing: 13 1/2" x 14"
- Ceiling opening: 4 1/2"



## Z1ICAT2 NEW WORK AIR-TITE™ IC HOUSING

Compact Low Voltage  
Housing - IC Air-Tite™

### RECESSED LIGHTING

#### Housing Features

- Insulated ceiling housing UL listed for direct contact with ceiling insulation.
- Insulated ceiling housing also limits air leakage from conditioned areas into open joist and plenum spaces.
- Includes integral thermal protector to insure against improper lamping
- Junction box is UL listed for through branch circuit wiring. Includes knockouts.
- Unit includes captive bar hangers to span 24" joists and can be rotated 90°.
- **Z1ICAT2:** 120 Volt, Magnetic Transformer, 50W Max.

#### Installation Features

- 7 1/4" height for 2" x 8" construction.
- Compact width fits narrow joist spaces.
- Housing removes from plaster frame for junction box and transformer access.

#### Listings

- UL Damp Location
- UL Feed Through
- Meets New York ECCC and IECC
- Meets State of Washington Restricted Air Flow Requirements
- ASTM E283 certified

#### Dimensions

- Height: 7 1/4"
- Housing: 9 1/2" x 13"
- Ceiling opening: 4 1/2"

# Miniature Low Voltage Compact Housing - Air-Tite™

## DESCRIPTION

Compact miniature diameter AIR-TITE™ IC-housing for low voltage accent and task lighting. (50W Maximum)

### BAFFLES



**Z133** Black Baffle w/Gloss White Trim  
**Z133WB** White Baffle w/Gloss White Trim  
**Lamp:** 20/42/50W 12V MR16  
**OD:** 5"



**Z233** Black Coilex® Baffle w/Matte White Trim - 35° Tilt  
**Z233PB** Black Coilex® Baffle w/Polished Brass Trim - 35° Tilt  
**Z233WB** White Coilex® Baffle w/Matte White Trim - 35° Tilt  
**Lamp:** 20/42/50W 12V MR16  
**OD:** 5"



**Z493SN** Black Coilex® Baffle - Plastic, Satin Nickel Trim  
**Lamp:** 20/42/50W 12V MR16  
**OD:** 5 1/16"



**Z453SN** Satin Nickel Coilex® Baffle - Metal, Satin Nickel Trim  
**Lamp:** 20/42/50W 12V MR16  
**OD:** 5 1/16"



**Z419SN** Open Coilex® Pinhole, Satin Nickel Trim & Black Baffle  
**Z419** Open Coilex® Pinhole, Matte White Trim & Black Baffle  
**Lamp:** 20/42/50W 12V MR16  
**OD:** 5 1/16"

### REFLECTORS



**Z135** Clear Cone w/Gloss White Trim  
**Z136** Gold Cone w/Gloss White Trim  
**Lamp:** 20/42/50W 12V MR16  
**OD:** 5"



**Z421SN** Satin Nickel Reflector Cone - with Satin Nickel Trim, 35° Tilt  
**Lamp:** 20/42/50W 12V MR16  
**OD:** 5 1/16"

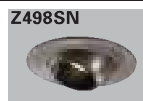


**Z235** Clear Cone w/Matte White Trim  
**Z236** Gold Cone w/Matte White Trim  
**Lamp:** 20/42/50W 12V MR16  
**OD:** 5"

### ADJUSTABLES



**Z145** Gloss White Eyeball w/Gloss White Trim  
**Lamp:** 20/42/50W 12V MR16  
**OD:** 5"



**Z498SN** Eyeball - 30° Tilt Satin Nickel Trim, Black Coilex® Baffle  
**Z498** Eyeball - 30° Tilt Matte White Trim, Black Coilex® Baffle  
**Lamp:** 20/42/50W 12V MR16  
**OD:** 5 1/16"



**Z152** Gloss White Slot Aperture Trim  
**Lamp:** 20/42/50W 12V MR16  
**OD:** 5"



**Z496SN** Retractable Elbow - 50° Tilt Satin Nickel Trim  
**Z496** Retractable Elbow - 50° Tilt Matte White Trim  
**Lamp:** 20/42/50W 12V MR16  
**OD:** 5 1/16"



**Z495SN** Gimbal Adjustable - 30° Tilt Satin Nickel Trim  
**Z495** Gimbal Adjustable - 30° Tilt Matte White Trim  
**Lamp:** 20/42/50W 12V MR16  
**OD:** 5 1/16"



**Z420SN** Slot Aperture - 35° Tilt Satin Nickel Trim  
**Z420** Slot Aperture - 35° Tilt Matte White Trim  
**Lamp:** 20/42/50W 12V MR16  
**OD:** 5 1/16" (slot - 1 3/8" x 2 1/4")

### DIFFUSERS

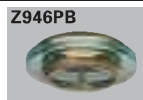


**Z451SNS** Shower Light, Satin Nickel Trim Ring  
**Z451WS** Shower Light, Matte White Trim Ring  
**Lamp:** 20/42/50W 12V MR16  
**OD:** 5 1/16"

### OPEN



**Z945** Metropolitan Ice Lite, Frosted Glass  
**Z945BL** Metropolitan Ice Lite, Blue Frosted Glass  
**Z945RS** Metropolitan Ice Lite, Rose Frosted Glass  
**Lamp:** 50W 12V MR16  
**OD:** 5 5/16"



**Z946PB** Metropolitan Deco, Translucent Discs w/Polished Brass Ring  
**Z946BC** Metropolitan Deco, Translucent Discs w/Black Chrome Ring  
**Lamp:** 50W 12V MR16  
**OD:** 5 5/8"


## DESCRIPTION

Miniature diameter AIR-TITE™ IC-housing for low voltage accent and task lighting. (50W Maximum)

### BAFFLES

 <b>L33</b> <b>L33WB</b> <b>Lamp:</b> 35W PAR20, 50W R20*, 50W PAR20* (*with socket extender L199)  <b>OD:</b> 5"	<b>L33</b> Black Baffle with White Trim White Baffle with White Trim  <b>L133</b>  <b>L133WB</b> <b>Lamp:</b> L133: 45W R20 or 50W PAR20 L133WB: 40W A19 or 50W PAR20/R20  <b>OD:</b> 5"	 <b>L493SN</b> <b>L493SN</b> Black Coilex® Baffle - Plastic, Satin Nickel Trim  <b>L493</b> Black Coilex® Baffle - Plastic, Matte White Trim  <b>Lamp:</b> 35W PAR20, 50W R20*, 50W PAR20* (*with socket extender L199)  <b>OD:</b> 5 1/16"	 <b>L453SN</b> <b>L453SN</b> Satin Nickel Coilex® Baffle - Metal, Satin Nickel Trim  <b>Lamp:</b> 35W PAR20, 50W R20*, 50W PAR20* (*with socket extender L199)  <b>OD:</b> 5 1/16"
-------------------------------------------------------------------------------------------------------------------------------------------------------------------------------------------------------------------------------	------------------------------------------------------------------------------------------------------------------------------------------------------------------------------------------------------------------------------------------------------------------------------------------------------------------	------------------------------------------------------------------------------------------------------------------------------------------------------------------------------------------------------------------------------------------------------------------------------------------------------------------------------------------------------------------------------	---------------------------------------------------------------------------------------------------------------------------------------------------------------------------------------------------------------------------------------------------------------------------------------------------------

### REFLECTORS

 <b>L35</b> <b>L36</b> <b>Lamp:</b> 50W PAR20/R20  <b>OD:</b> 5"	<b>L35</b> Clear Cone with White Trim Gold Cone with Matte White Trim  <b>L499SN</b>  <b>L499SN</b> Satin Nickel Reflector Cone with Satin Nickel Trim  <b>L499</b> Matte White Clear Reflector Cone with Matte White Trim  <b>Lamp:</b> 50W R20, 40W R16, 50W PAR20, 40W A19  <b>OD:</b> 5 1/16"
------------------------------------------------------------------------------------------------------------------------------------------------------------------------	---------------------------------------------------------------------------------------------------------------------------------------------------------------------------------------------------------------------------------------------------------------------------------------------------------------------------------------------------------------------------------------------------------------------------------------------


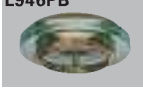
### ADJUSTABLES

 <b>L45</b> <b>Lamp:</b> 40W R16  <b>OD:</b> 5"	<b>L45</b> Gloss White Eyeball with White Trim Eyeball - 15° Tilt, Satin Nickel Trim Eyeball - 15° Tilt, Matte White Trim  <b>L496SN</b>  <b>L496SN</b> Eyeball - 15° Tilt, Satin Nickel Trim Eyeball - 15° Tilt, Matte White Trim  <b>Lamp:</b> 50W PAR20  <b>OD:</b> 5 1/16"
 <b>L498SN</b> <b>Lamp:</b> 40W R16  <b>OD:</b> 5 1/16"	<b>L498SN</b> Eyeball - 30° Tilt, Satin Nickel Trim Eyeball - 30° Tilt, Matte White Trim  <b>Lamp:</b> 40W R16  <b>OD:</b> 5 1/16"


### DIFFUSERS

 <b>L451SNS</b> <b>Lamp:</b> 30W R20, 35W PAR20, 50W PAR20* (*with socket extender L199)  <b>OD:</b> 5 1/16"	<b>L451SNS</b> Shower Light, Satin Nickel Trim Ring Shower Light, Matte White Trim Ring  <b>L451WS</b> Shower Light, Satin Nickel Trim Ring Shower Light, Matte White Trim Ring  <b>Lamp:</b> 30W R20, 35W PAR20, 50W PAR20* (*with socket extender L199)  <b>OD:</b> 5 1/16"
----------------------------------------------------------------------------------------------------------------------------------------------------------------------------------------------------------------------	----------------------------------------------------------------------------------------------------------------------------------------------------------------------------------------------------------------------------------------------------------------------------------------------------------------------

### OPEN

 <b>L945</b> <b>Lamp:</b> 30W R20  <b>OD:</b> 5 5/16"	<b>L945</b> Metropolitan Ice Lite, Frosted Glass Metropolitan Ice Lite, Blue Frosted Glass Metropolitan Ice Lite, Rose Frosted Glass  <b>L945BL</b> Metropolitan Ice Lite, Blue Frosted Glass <b>L945RS</b> Metropolitan Ice Lite, Rose Frosted Glass  <b>Lamp:</b> 30W R20  <b>OD:</b> 5 5/16"	 <b>L946PB</b> <b>Lamp:</b> 35W R20  <b>OD:</b> 5 5/8"	<b>L946PB</b> Metropolitan Deco, Translucent Discs w/Polished Brass Ring Metropolitan Deco, Translucent Discs w/Black Chrome Ring  <b>L946BC</b> Metropolitan Deco, Translucent Discs w/Black Chrome Ring  <b>Lamp:</b> 35W R20  <b>OD:</b> 5 5/8"
------------------------------------------------------------------------------------------------------------------------------------------------------------	----------------------------------------------------------------------------------------------------------------------------------------------------------------------------------------------------------------------------------------------------------------------------------------------------------------------------------------------------------	-------------------------------------------------------------------------------------------------------------------------------------------------------------	----------------------------------------------------------------------------------------------------------------------------------------------------------------------------------------------------------------------------------------------------------------------------------------------

### SOCKET EXTENDER

 <b>L199</b>	<b>L199</b> 1" Socket Extension 1" Socket Extension for use in L11CAT with trims L133, L133WB, L493, L493SN, L451, L451SN when using with 50W PAR20/R20 lamps.
----------------------------------------------------------------------------------------------------	----------------------------------------------------------------------------------------------------------------------------------------------------------------------------



## L11CAT NEW WORK AIR-TITE™ IC HOUSING

Line Voltage Housing -  
Air-Tite™

RECESSED LIGHTING

### Housing Features

- Insulated ceiling housing UL listed for direct contact with ceiling insulation.
- Insulated ceiling housing also limits air leakage from conditioned areas into open joist and plenum spaces.
- Includes integral thermal protector to insure against improper lamping.
- Junction box is UL listed for through branch circuit wiring. Includes knockouts.
- Unit includes captive bar hangers to span 24" joists.

### Installation Features

- 5 3/8" height for 2" x 6" construction.
- Housing removes from plaster frame for junction box and transformer access.
- Housing adjusts for up to 1" thick ceiling.

### Listings

- UL Damp Location
- UL Feed Through
- Meets New York ECCC and IECC
- Meets State of Washington Restricted Air Flow Requirements
- ASTM E283 certified

### Dimensions

- Height: 5 3/8"
- Ceiling opening: 4 1/2"
- Housing: 5 1/4" x 8"



**WICAT5  
NEW WORK  
AIR-TITE™  
IC HOUSING**

Standard - Reduced Aperture Air-Tite™

RECESSED LIGHTING

**DESCRIPTION**

**Housing Features**

- Integral thermal protector provides a guard against misuse of insulation materials or improper lamping.
- 7 1/2" height enables use in 2" x 8" construction.
- Housing adjusts for ceilings up to 2" thick.
- Insulated ceiling housings are UL listed for direct contact with ceiling insulation.

**Listings**

- UL Damp Location
- UL Feed Through
- Meets New York ECCC and IECC
- Meets State of Washington Restricted Air Flow Requirements
- ASTM E283 certified

**Dimension**

- Height: 7 1/2"
- Ceiling opening: 5 3/4"
- Housing: 6 3/4" x 10 1/4"



**WRICAT5  
REMODEL  
AIR-TITE™  
IC HOUSING**

Standard - Reduced Aperture Air-Tite™

RECESSED LIGHTING

**DESCRIPTION**

**Housing Features**

- Integral thermal protector provides a guard against misuse of insulation materials or improper lamping.
- 7 1/2" height enables use in 2" x 8" construction.
- Four remodel clips secure housing and accommodate ceiling thickness to 5/8"
- Integral flange secures fixture against ceiling.
- Insulated ceiling housings are UL listed for direct contact with ceiling insulation.

**Listings**

- UL Damp Location
- UL Feed Through
- Meets New York ECCC and IECC
- Meets State of Washington Restricted Air Flow Requirements
- ASTM E283 certified

**Dimension**

- Height: 7 1/2"
- Ceiling opening per cut-out template: 5 1/2" nominal
- Housing: 6" Flange Diameter x 14"

**REFLECTORS**



**W520** Clear Cone Reflector w/Gloss White Trim  
**Lamp:** **WICAT5** 60W BR30, 75W PAR30  
**WRICAT5** 60W BR30, 50W PAR30, 50W PAR30L

**BAFFLES**



**W513** Black Metal Baffle with Gloss White Trim  
**W513WB** Gloss White Metal Baffle with Gloss White Trim  
**Lamp:** **WICAT5**  
**W513:** 65W BR30, 50W PAR30L  
**W513WB:** 65W BR30, 75W PAR30L  
**WRICAT5**  
**W513:** 65W BR30, 50W PAR30L  
**W513WB:** 65W BR30, 75W PAR30L

**DIFFUSERS**



**WS551** Frosted Lens with White Trim  
**Lamp:** **WS551:** 35W PAR30L

**ADJUSTABLES**



**W570** Gloss White Eyeball w/ Gloss White Trim  
**Lamp:** 75W PAR30



**DESCRIPTION**

**Housing Features**

- Integral thermal protector provides a guard against misuse of insulation materials or improper lamping.
- Utilizes an adjustable socket bracket, allowing the use of different lamp types while insuring correct lamp positioning.
- 7 1/2" height enables use in 2 x 8 construction.
- Housing adjusts for ceilings up to 1" thick.
- Insulated ceiling housings are UL listed for direct contact with ceiling insulation.

**Listings**

- UL Damp Location
- UL Feed Through
- Meets New York ECCC and IECC
- Meets State of Washington Restricted Air Flow Requirements
- ASTM E283 certified

**Dimension**

- Height: 7 1/2"
- Ceiling opening: 6 1/2"
- Housing: 7 1/2" x 10 1/2"



**WICAT2  
NEW WORK  
AIR-TITE™  
IC HOUSING**

Standard - Air-Tite™

RECESSED LIGHTING

**DESCRIPTION**

**Housing Features**

- Integral thermal protector provides a guard against misuse of insulation materials or improper lamping.
- Utilizes an adjustable socket bracket, allowing the use of different lamp types while insuring correct lamp positioning.
- 7 1/2" height enables use in 2 x 8 construction.
- Insulated ceiling housings are UL listed for direct contact with ceiling insulation.
- Remodel Housing fits nominal 6 1/2" hole in any existing ceiling. (Per Template)
- One piece, complete flange secures housing against ceiling.
- Four Remodel Clips secure housing in various ceiling thicknesses.

**Listings**

- UL Damp Location
- UL Feed Through
- Meets New York ECCC and IECC
- Meets State of Washington Restricted Air Flow Requirements
- ASTM E283 certified

**Dimension**

- Height: 7 1/2"
- Ceiling opening per cut-out template: 6 1/2" nominal
- Housing: 6 7/8" Flange Diameter x 13 1/4"



**WRICAT2  
REMODEL  
AIR-TITE™  
IC HOUSING**

Standard - Air-Tite™

RECESSED LIGHTING




WICAT2  
WRICAT2  
TRIMS



**BAFFLES**

	<b>W713WB</b>	<b>W707</b>	Black Metal Baffle with Gloss White Trim
		<b>W707WB</b>	Gloss White Metal Baffle with Gloss White Trim
		<b>W713</b>	Black Metal Full Cone Baffle with Gloss White Trim
		<b>W713WB</b>	Gloss White Metal Full Cone Baffle with Gloss White Trim
		<b>W714</b>	Black Plastic Coilex® Baffle with Gloss White Trim (For use with WICAT2 only.)
	<b>W714WB</b>	Gloss White Plastic Coilex® Baffle with Gloss White Trim (For use with WICAT2 only.)	
	<b>Lamp:</b>	<b>W707/W707WB:</b> 50W PAR30, 65W BR30, 75W PAR30L, 75W R30	
		<b>W713/W713WB:</b> 65W BR30, 90W BR40, 75W PAR30, 75W PAR30L, 40W A19	
		<b>W714/W714WB:</b> 65W BR30, 50W PAR30, 75W PAR30L	


**REFLECTORS**

	<b>W710</b>	<b>W710</b>	Clear Cone Reflector with Gloss White Trim
		<b>W710G</b>	Gold Cone Reflector with Gloss White Trim
		<b>W712</b>	Gloss White Full Cone Reflector with Gloss White Trim
	<b>Lamp:</b>	<b>W710/W710G:</b> 50W PAR30, 65W BR30, 75W R30, 75W PAR30L	
		<b>W712:</b> 65W BR30, 90W BR40, 75W PAR30, 75W PAR30L, 40W A19	

**ADJUSTABLES**

	<b>W704</b>	<b>W704</b>	Gloss White Eyeball with Gloss White Trim		<b>W711</b>	Gloss White Eyeball with Black Baffle
		<b>Lamp:</b>	75W R30, 65W BR30, 75W PAR30L			

**DIFFUSERS**

	<b>W721</b>	<b>W721</b>	Albalite Lens with Gloss White Trim
		<b>Lamp:</b>	40W A19

**OPEN**

	<b>W705</b>	<b>W705</b>	Gloss White Metal Open
		<b>Lamp:</b>	65W BR30, 75W PAR30, 75W PAR30L

# Standard - Air-Tite™ - Fixed Socket (No Bracket)

**ATLITE®**

## BAFFLES

	<b>W713</b>	Black Metal Full Cone Baffle with Gloss White Trim
	<b>W713WB</b>	Gloss White Metal Full Cone Baffle with Gloss White Trim
<b>Lamp:</b>		<b>W713/W713WB:</b> 65W BR30, 90W BR40, 75W PAR30, 5W PAR30L, 40W A19



## REFLECTORS

	<b>W712</b>	Gloss White Full Cone Reflector with Gloss White Trim
	<b>Lamp:</b>	<b>W712:</b> 65W BR30, 90W BR40, 75W PAR30, 75W PAR30L, 40W A19

## OPEN

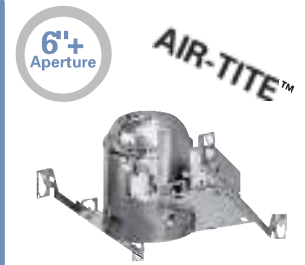
	<b>W705</b>	Gloss White Metal Open
	<b>Lamp:</b>	<b>W705:</b> 65W BR30, 75W PAR30, 75W PAR30L

## ADJUSTABLES

	<b>W704</b>	Gloss White Eyeball with Gloss White Trim		<b>W711</b>	Gloss White Eyeball with Black Baffle
	<b>Lamp:</b>	<b>W704:</b> 75W R30, 65W BR30, 75W PAR30L		<b>Lamp:</b>	<b>W711:</b> 50W PAR30

## LENS AND DIFFUSERS

	<b>W721</b>	Albalite Lens with Gloss White Trim
	<b>Lamp:</b>	<b>W721:</b> 40W A19



## WICAT2NB NEW WORK AIR-TITE™ IC HOUSING

Standard - Air-Tite™  
Fixed Socket  
(No Bracket)

### RECESSED LIGHTING

#### Housing Features

- Fixed lamp socket position, saves installation time.
- IC, Air-Tite™ housing without socket plate for use with socket supporting trims only.
- Integral thermal protector provides a guard against misuse of materials or improper lamping.
- 7 1/2" height enables use in 2 x 8 construction.
- Housing adjusts for ceilings up to 1" thick.
- Insulated ceiling housings are UL listed for direct contact with ceiling insulation.

#### Listings

- UL Damp Location
- UL Feed Through
- Meets New York ECCC and IECC
- Meets State of Washington Restricted Air Flow Requirements
- ASTM E283 certified

#### Dimension

- Height: 7 1/2"
- Ceiling opening: 6 1/2"
- Housing: 7 1/2" x 10 1/2"



**WICAT2U  
NEW WORK  
AIR-TITE™  
IC HOUSING**

**Standard - Air-Tite™  
Universal Housing**

**RECESSED LIGHTING**

**Housing Features**

- Integral thermal protector provides a guard against misuse of insulation materials or improper lamping.
- 7 1/4" height enables use in 2 x 8 construction.
- Housing adjusts for ceilings up to 1" thick.
- Insulated ceiling housings are UL listed for direct contact with ceiling insulation.

**Listings**

- UL Damp Location
- UL Feed Through
- Meets New York ECCC and IECC
- Meets State of Washington Restricted Air Flow Requirements
- ASTM E283 certified

**Dimension**

- Height: 7 1/4"
- Ceiling opening: 6 1/2"
- Housing: 9 1/2" x 13"

**BAFFLES**

**W713WB**



**W707** Black Metal Baffle with Gloss White Trim  
**W707WB** Gloss White Metal Baffle with Gloss White Trim  
**W713** Black Metal Full Cone Baffle with Gloss White Trim  
**W713WB** Gloss White Metal Full Cone Baffle with Gloss White Trim  
**Lamp:** **W707/W707WB:** 65W BR30, 90W PAR38, 100W R40, 75W R30, 75W PAR30, 75W PAR30L, 90W BR40  
**W713/W713WB:** 85W BR30, 120W BR40, 75W PAR30, 75W PAR30L, 60W A19

**REFLECTORS**

**W710**



**W710** Clear Cone Reflector with Gloss White Trim  
**W710G** Gold Cone Reflector with Gloss White Trim  
**W712** Gloss White Full Cone Reflector with Gloss White Trim  
**Lamp:** **W710/W710G:** 75W PAR30, 75W PAR30L, 85W BR30, 90W BR40, 100W PAR38, 100W R30, 100W R40  
**W712:** 85W BR30, 120W BR40, 75W PAR30, 75W PAR30L, 60W A19

**OPEN**

**W705**



**W705** Gloss White Metal Open  
**Lamp:** **W705:** 100W R30, 75W PAR30, 75W PAR30L, 85W BR30

**ADJUSTABLES**

**W704**



**W704** Gloss White Eyeball with Gloss White Trim  
**Lamp:** **W704:** 100W R30, 75W PAR30, 75W PAR30L, 85W BR30

**W721**



**W721** Albalite Lens with Gloss White Trim  
**Lamp:** **W721:** 60W A19

# Standard - Air-Tite™ - Shallow Housing

**ATLITE®**

## BAFFLES

### W707WB



**W707** Black Metal Baffle with Gloss White Trim  
**W707WB** Gloss White Metal Baffle with Gloss White Trim  
**W714** Black Plastic Baffle with Gloss White Trim  
**W714WB** Gloss White Plastic Baffle with Gloss White Trim

**Lamp:** **W707/W707WB:** 50W PAR30, 65W BR30, 75W PAR30L  
**W714/W714WB:** 50W PAR30L, 50W PAR30, 65W BR30

## REFLECTORS

### W710



**W710** Clear Cone Reflector with Gloss White Trim  
**W710G** Gold Cone Reflector with Gloss White Trim  
**Lamp:** **W710/W710G:** 65W BR30, 75W R30, 75W PAR30L, 50W PAR30

## OPEN

### W705



**W705** Gloss White Metal Open  
**Lamp:** **W705:** 50W PAR30L, 65W BR30, 75W R30

## EYEBALL

### W704



**W704** Gloss White Eyeball with Gloss White Trim  
**Lamp:** **W704:** 65W BR30, 75W R30, 75W PAR30L

### W711



**W711** Gloss White Eyeball with Black Baffle  
**Lamp:** **W711:** 50W PAR30



AIR-TITE™



**W12ICAT**  
**NEW YORK**  
**AIR-TITE™**  
**SHALLOW**  
**IC HOUSING**

Standard - Air-Tite™  
 Shallow Housing

RECESSED LIGHTING

### Housing Features

- Integral thermal protector provides a guard against misuse of insulation materials or improper lamping.
- 5 1/2" height enables use in 2" x 6" construction.
- Housing adjusts for ceilings up to 1" thick.
- Insulated ceiling housings are UL listed for direct contact with ceiling insulation.

### Listings

- UL Damp Location
- UL Feed Through
- Meets New York ECCC and IECC
- Meets State of Washington Restricted Air Flow Requirements
- ASTM E283 certified

### Dimension

- Height: 5 1/2"
- Ceiling opening: 6 1/2"
- Housing 7 1/2" x 10 1/2"



**CF5ICAT  
NEW WORK  
AIR-TITE™  
IC HOUSING**

**Standard - Air-Tite™  
Compact Fluorescent**

**RECESSED LIGHTING**

**Standard Features**

- Integral Fluorescent ballast for one 13W Double Twin Tube (DTT) Compact Fluorescent lamp.
- Junction Box is listed for through branch circuit wiring and has seven 1/2" and four Romex knockouts with true pry out slots.
- 7 1/2" height allows use in 2" x 8" construction.
- Housing adjusts for ceilings up to 1 3/8" thick.
- Insulated ceiling housings are UL listed for direct contact with ceiling insulation.
- Lamp: (1) 13W DTT 2-Pin GX23-2 Base

**Listings**

- UL Damp Location
- UL Feed Through
- Meets New York ECCC and IECC
- Meets State of Washington Restricted Air Flow Requirements
- ASTM E283 certified

**Dimension**

- Height: 7 1/2"
- Ceiling opening: 5 3/4"
- Housing: 7 1/4" x 12 1/2"

**BAFFLES**

**W513WB**



**W513**

Black Metal Baffle with Gloss White Trim

**W513WB**

Gloss White Metal Baffle with Gloss White Trim

**Lamp:**

**W513/W513WB:** 13W DTT

**LENS AND DIFFUSERS**

**WS551**



**WS551**

Frosted Lens with White Trim

**Lamp:**

**WS551:** 13W DTT

# Standard - Air-Tite™ Compact Fluorescent

ATLITE®

## DESCRIPTION

### Standard Features

- Integral Fluorescent ballast for one 18W Double Twin (DTT) or Compact Fluorescent lamp.
- Junction Box is listed for through branch circuit wiring and has seven 1/2" and four Romex knock-outs with true pry out slots.
- 7 3/8" height allows use in 2" x 8" construction.
- Housing adjusts for ceilings up to 1-1/4" thick.
- Insulated ceiling housings are UL listed for direct contact with ceiling insulation.
- Lamp: (1) 18 W DTT 2-Pin GX24-2 Base

### Listings

- UL Damp Location
- UL Feed Through
- Meets New York ECCC and IECC
- Meets State of Washington Restricted Air Flow Requirements
- ASTM E283 certified

### Dimension

- Height: 7 3/8"
- Ceiling opening: 6 1/2"
- Housing: 9 1/2" x 13"



AIR-TITE™



**CW318-ICAT**  
NEW WORK  
AIR-TITE™  
IC HOUSING

Standard - Air-Tite™  
Compact Fluorescent

RECESSED LIGHTING

## DESCRIPTION

### Standard Features

- Integral Fluorescent ballast for one 26W Double Twin (DTT) Compact Fluorescent lamp.
- Junction Box is listed for through branch circuit wiring and has seven 1/2" and four Romex knock-outs with true pry out slots.
- 7 3/8" height allows use in 2" x 8" construction.
- Housing adjusts for ceilings up to 1-1/4" thick.
- Insulated ceiling housings are UL listed for direct contact with ceiling insulation.
- Lamp: (1) 18 W 26W DTT 2-Pin GX24-3 Base

### Listings

- UL Damp Location
- UL Feed Through
- Meets New York ECCC and IECC
- Meets State of Washington Restricted Air Flow Requirements
- ASTM E283 certified

### Dimension

- Height: 7 3/8"
- Ceiling opening: 6 1/2"
- Housing: 9 1/2" x 13"



AIR-TITE™



**CW326-ICAT**  
NEW WORK  
AIR-TITE™  
IC HOUSING

Standard - Air-Tite™  
Compact Fluorescent

RECESSED LIGHTING

## BAFFLES

### CW406



**CW406** Black Baffle with White Trim  
**CW406WB** White Baffle with White Trim

Lamp: **CW318-ICAT** CW406/CW406WB: 18W DTT  
**CW326-ICAT** CW406/CW406WB: 26W DTT

## REFLECTORS

### CW406C



**CW406C** Clear Cone Reflector with White Trim  
**CW406G** Gold Cone Reflector with White Trim

Lamp: **CW318-ICAT** CW406C/CW406G: 18W DTT  
**CW326-ICAT** CW406C/CW406G: 26W DTT

## WALL WASH

### W50



**W50** Black Baffle Wall Wash with White Trim  
**W50WB** White Baffle Wall Wash with White Trim

Lamp: **CW318-ICAT** W50/W50WB: 18W DTT  
**CW26-ICAT** W50/W50WB: 26W DTT

## LENS AND DIFFUSERS

### CWS701



**CWS701** Albalite Lens with White Trim

Lamp: **CW318-ICAT** CWS701: 18W DTT  
**CW26-ICAT** CWS701: 26W DTT



**CW3ICAT  
NEW WORK  
AIR-TITE™  
IC HOUSING**

**Standard - Air-Tite™  
Compact Fluorescent**

**RECESSED LIGHTING**

**Standard Features**

- Integral Fluorescent ballast for one 13W Double Twin Tube (DTT) Compact Fluorescent Lamp.
- Junction Box is listed for through branch circuit wiring and has seven 1/2" and four Romex knockouts with true pry out slots.
- 7 1/4" height allows use in 2" x 8" construction.
- Housing adjusts for ceilings up to 3/4" thick.
- Insulated ceiling housings are UL listed for direct contact with ceiling insulation.
- Lamp: (1) 13W DTT 2-Pin GX23-2 Base


**Listings**

- UL Damp Location
- UL Feed Through
- Meets New York ECCC and IECC
- Meets State of Washington Restricted Air Flow Requirements
- ASTM E283 certified


**Dimension**

- Height: 7 1/4"
- Ceiling opening: 6 1/2"
- Housing: 7 1/2" x 10 1/2"

**BAFFLES**

<b>CW406</b>	<b>CW406</b>	Black Baffle with White Trim
	<b>CW406WB</b>	White Baffle with White Trim
	<b>Lamp:</b>	<b>CW406/CW406WB:</b> 13W DTT

**REFLECTORS**

<b>CW405</b>	<b>CW405</b>	Clear Cone Reflector with White Trim
	<b>CW405G</b>	Gold Cone Reflector with White Trim
	<b>Lamp:</b>	<b>CW405/CW405G:</b> 13W DTT

**LENS AND DIFFUSERS**

<b>CWS701</b>	<b>CWS701</b>	Albalite Lens with White Trim
	<b>Lamp:</b>	<b>CWS701:</b> 13W DTT



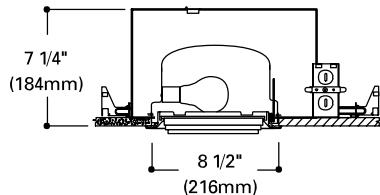
## DESCRIPTION

### Standard Features

- P988ICAT - for use with up to 60W A19 lamps; P9111ICAT - for use with up to 75W A19 lamps.
- Integral thermal protector guards against improper lamping.
- Insulated ceiling housing UL listed for direct contact with insulation. Housing also limits air leakage from conditioned areas into open joist or plenum spaces.
- Junction box is listed for through branch circuit wiring. Includes knockouts.
- Unit includes captive bar hangers to span 24" joists and can be rotated 90°.

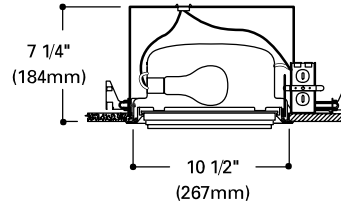
## DIMENSIONS

### 988-2WICAT



**60W Square**

### 9111-2WICAT



**75W Square**

## FLAT GLASS

### F28W

8 1/2" Square Frame and Flat Glass

Diffuser, White.

**For use with P998ICAT (60W).**

**For complete unit order:**

**988-2WICAT**

## DROP GLASS

### F48W

8 1/2" Square Frame and Drop

Glass Diffuser, White.

**For use with P998ICAT (60W).**

**For complete unit order:**

**988-4WICAT**

## FLAT GLASS

### F211W

10 1/2" Square Frame and Flat

Glass Diffuser, White.

**For use with P9111ICAT (75W).**

**For complete unit order:**

**9111-2WICAT**

## DROP GLASS

### F411W

10 1/2" Square Frame and Drop

Glass Diffuser, White.

**For use with P9111ICAT (75W).**

**For complete unit order:**

**9111-4WICAT**



**P988ICAT**

**AIR-TITE™**



**P9111ICAT**

**AIR-TITE™**



**P988ICAT  
P9111ICAT  
AIR-TITE™  
SHALLOW  
IC HOUSING**

Squares - Air-Tite™

RECESSED LIGHTING

### Listings

- UL Damp Location
- UL Feed Through
- IP Rated
- Meets New York ECCC and IECC-2000
- Meets State of Washington Restricted Air Flow Requirements
- ASTM E283 certified

### Dimensions

- 7 1/4" height allows use in 2" x 8" joist construction.
- Housing adjusts for ceilings up to 1" thick.
- Ceiling opening:  
**P988ICAT** - 8 1/2" x 8 1/2" nominal  
**P9111ICAT** - 10 1/2" x 10 1/2" nominal
- Housing: 13 1/4" x 14"

## Miniature Low Voltage

### DESCRIPTION

Miniature diameter Non-IC housing for low voltage accent lighting. Adjustable trims available with 30° to 40° tilt.

### Housing Features

- Includes integral thermal protector to insure against improper use of insulation or improper lamp wattage.
- Junction box is listed for through branch circuit wiring. Includes knockouts.
- Unit includes captive bar hangers to span 24" joists and can be rotated 90°.
- Class H magnetic transformer steps line voltage down to lamp operating voltage.
- **Z1:** 120 Volt, Magnetic Transformer, 50W Max.
- **Z2:** 120/277 Volt, Dual Tap Magnetic Transformer, 50W Max.

### Installation Features

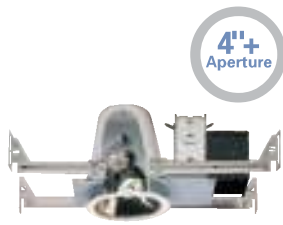
- 5 1/2" height allows use in 2 x 6 construction.
- Housing can be removed from plaster frame for junction box access.

### Listings

- UL Damp Location
- UL Feed Through

### Dimension

- Height: 5 1/2"
- Ceiling opening: 4 1/4"
- Housing: 5 1/4" x 8"



## Z1 Z2 NEWWORK

Low Voltage Housing

RECESSED LIGHTING

### DESCRIPTION

Miniature diameter Non-IC Remodel housing for low voltage accent lighting. Adjustable trims available with 30° to 40° tilt.

### Housing Features

- Includes integral thermal protector to insure against improper use of insulation or improper lamp wattage.
- Class H magnetic transformer steps line voltage down to lamp operating voltage.
- Junction box is listed for 90° supply wire. Includes knockouts.
- **ZR1:** 120 Volt, Magnetic Transformer, 50W Max.

### Installation Features

- 5 1/2" height allows use in 2 x 6 construction.
- Unit slips through nominal 4 1/4" opening. (Per Template)
- One piece integral flange secures housing against ceiling.
- Four remodel clips secure housing and accommodate ceilings of various thickness.
- Adjustable support stud to relieve weight from junctionbox/transformer assembly.

### Listings

- UL Damp Location
- UL Feed Through

### Dimensions

- Height: 5 1/2"
- Ceiling opening per cut-out template: 4 1/4" nominal
- Housing: 4 5/8" Flange Diameter x 13 1/2"



## ZR1 REMODEL

Low Voltage Housing

RECESSED LIGHTING







**Z1  
Z2  
ZR1  
TRIMS**

## BAFFLES

	<b>Z33</b>	Black Baffle		<b>Z39</b>	Pinhole with Black Coilex® Baffle
	<b>Z33WB</b>	White Baffle		<b>Lamp:</b>	20/42/50W 12V MR16
	<b>Z33PB</b>	Black Baffle with Polished Brass Trim		<b>OD:</b>	4 3/4"
	<b>Z33PC</b>	Black Baffle with Polished Chrome Trim			
	<b>Description:</b>	40° Tilt			
	<b>Lamp:</b>	20/42/50W 12V MR16			
	<b>OD:</b>	4 3/4"			
	<b>Z133</b>	Black Baffle with Gloss White Trim		<b>Z493SN</b>	Black Coilex® Baffle - Plastic, Satin Nickel Trim
	<b>Z133WB</b>	White Baffle with Gloss White Trim		<b>Lamp:</b>	20/42/50W 12V MR16
	<b>Lamp:</b>	20/42/50W 12V MR16		<b>OD:</b>	5 1/16"
	<b>OD:</b>	5"			
	<b>Z233</b>	Black Coilex® Baffle with Matte White Trim		<b>Z453SN</b>	Satin Nickel Coilex® Baffle - Metal, Satin Nickel Trim
	<b>Z233PB</b>	Black Coilex® Baffle with Polished Brass Trim		<b>Lamp:</b>	20/42/50W 12V MR16
	<b>Z233WB</b>	White Coilex® Baffle with Matte White Trim		<b>OD:</b>	5 1/16"
	<b>Description:</b>	35° Tilt			
	<b>Lamp:</b>	20/42/50W 12V MR16			
	<b>O.D.:</b>	5"			
				<b>Z419SN</b>	1 7/8" Open Coilex® Pinhole, Satin Nickel Trim w/Black Baffle
				<b>Z419</b>	1 7/8" Open Coilex® Pinhole, Matte White Trim w/Black Baffle
				<b>Lamp:</b>	20/42/50W 12V MR16
				<b>OD:</b>	5 1/16"


## REFLECTORS

	<b>Z135</b>	Clear Cone with Gloss White Trim		<b>Z35</b>	Clear Specular Reflector
	<b>Z136</b>	Gold Cone with Gloss White Trim		<b>Z35PB</b>	Clear Specular Reflector with Polished Brass Trim
	<b>Lamp:</b>	20/42/50W 12V MR16		<b>Z35PC</b>	Clear Specular Reflector with Polished Chrome Trim
	<b>OD:</b>	5"		<b>Z36</b>	Gold Specular Reflector with Gold Trim
	<b>Z235</b>	Clear Specular Reflector w/Matte White Trim		<b>Z36PB</b>	Gold Specular Reflector with Polished Brass Trim
	<b>Z236</b>	Gold Specular Reflector w/Matte White Trim		<b>Description:</b>	40° Tilt
	<b>Description:</b>	35° Tilt		<b>Lamp:</b>	20/42/50W 12V MR16
	<b>Lamp:</b>	20/42/50W 12V MR16		<b>OD:</b>	4 3/4"
	<b>OD:</b>	5"			
	<b>Z421SN</b>	Satin Nickel Reflector Cone w/ Satin Nickel Trim, 35° Tilt			
	<b>Lamp:</b>	20/42/50W 12V MR16			
	<b>OD:</b>	5 1/16"			

## DIFFUSERS

	<b>Z451SNS</b>	Shower Light, Satin Nickel Trim Ring		<b>Z207</b>	White Shower Light
	<b>Z451WS</b>	Shower Light, Matte White Trim Ring		<b>Lamp:</b>	20/42/50W 12V MR16
	<b>Lamp:</b>	20/42/50W 12V MR16		<b>OD:</b>	4 3/4"
	<b>OD:</b>	5 1/16"			

## WALL WASH

	<b>Z50</b>	White Wall Wash with Black Baffle			
	<b>Z50WB</b>	White Wall Wash with White Baffle			
	<b>Lamp:</b>	20/42/50W 12V MR16			
	<b>OD:</b>	4 3/4"			


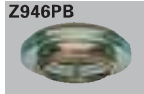


### Z1 Z2 ZR1 TRIMS

#### ADJUSTABLES

 <p><b>Z301W</b></p>	<p><b>Z301W</b> White Elbow Trim  <b>Description:</b> 358° Rotation, 90° Tilt  <b>Lamp:</b> 20/42/50W 12V MR16  <b>OD:</b> 4 3/4"</p>	 <p><b>Z152</b></p>	<p><b>Z152</b> Gloss White Slot Aperture Trim  <b>Lamp:</b> 20/42/50W 12V MR16  <b>OD:</b> 5 1/16"</p>
 <p><b>Z145</b></p>	<p><b>Z145</b> Gloss White Eyeball with Gloss White Trim  <b>Description:</b> 30° Tilt  <b>Lamp:</b> 20/42/50W 12V MR16  <b>OD:</b> 5 1/16"</p>	 <p><b>Z498SN</b></p>	<p><b>Z498SN</b> Eyeball - 30° Tilt  <b>Z498</b> Satin Nickel Trim, Black Coilex® Baffle  <b>Lamp:</b> 20/42/50W 12V MR16  <b>OD:</b> 5 1/16"</p>
 <p><b>Z45W</b></p>	<p><b>Z45W</b> White Eyeball with Black Baffle  <b>Z45WB</b> White Eyeball with White Baffle  <b>Z45C</b> Chrome Eyeball  <b>Z45B</b> Polished Brass Eyeball  <b>Description:</b> 30° Tilt  <b>Lamp:</b> 20/42/50W 12V MR16  <b>OD:</b> 4 3/4"</p>	 <p><b>Z496SN</b></p>	<p><b>Z496SN</b> Retractable Elbow - 50° Tilt  <b>Z496</b> Satin Nickel Trim  <b>Lamp:</b> 20/42/50W 12V MR16  <b>OD:</b> 5 1/16"</p>
 <p><b>Z85W</b></p>	<p><b>Z85W</b> White Gimbal Ring with Black Baffle  <b>Z85WB</b> White Gimbal Ring with White Baffle  <b>Z85C</b> Chrome Gimbal Ring.  <b>Z85B</b> Polished Brass Gimbal Ring  <b>Description:</b> 40° Tilt  <b>Lamp:</b> 20/42/50W 12V MR16  <b>OD:</b> 4 3/4"</p>	 <p><b>Z420SN</b></p>	<p><b>Z420SN</b> Slot Aperture - 35° Tilt  <b>Z420</b> Satin Nickel Trim  <b>Lamp:</b> 20/42/50W 12V MR16  <b>OD:</b> 5 1/16" (slot - 1 3/8" x 2 1/4")</p>
 <p><b>Z52</b></p>	<p><b>Z52</b> White Slot Aperture with Black Baffle  <b>Description:</b> 40° Tilt  <b>Lamp:</b> 20/42/50W 12V MR16  <b>OD:</b> 4 3/4" with 1 3/4" x 2 1/4" slot</p>	 <p><b>Z495SN</b></p>	<p><b>Z495SN</b> Gimbal Adjustable - 30° Tilt, Satin Nickel  <b>Z495</b> Gimbal Adjustable - 30° Tilt, Matte White  <b>Lamp:</b> 20/42/50W 12V MR16  <b>OD:</b> 5 1/16"</p>



#### OPEN

 <p><b>Z945</b></p>	<p><b>Z945</b> Metropolitan Ice Lite, Frosted Glass  <b>Z945BL</b> Metropolitan Ice Lite, Blue Frosted Glass  <b>Z945RS</b> Metropolitan Ice Lite, Rose Frosted Glass  <b>Lamp:</b> 20/42/50W 12V MR16  <b>OD:</b> 5 5/16"</p>	 <p><b>Z946PB</b></p>	<p><b>Z946PB</b> Metropolitan Deco, Translucent Discs w/Polished Brass Ring  <b>Z946BC</b> Metropolitan Deco, Translucent Discs w/Black Chrome Ring  <b>Lamp:</b> 20/42/50W 12V MR16  <b>OD:</b> 5 5/8"</p>
--------------------------------------------------------------------------------------------------------	------------------------------------------------------------------------------------------------------------------------------------------------------------------------------------------------------------------------------------------------	-----------------------------------------------------------------------------------------------------------	-------------------------------------------------------------------------------------------------------------------------------------------------------------------------------------------------------------------------

## DESCRIPTION

Miniature diameter Non-IC-housing for low voltage accent and task lighting.

BAFFLES					
<b>Z233</b>	<b>Z233</b>	Black Coilex® Baffle with Matte White Trim	<b>Z493SN</b>	<b>Z493SN</b>	Black Coilex® Baffle - Plastic, Satin Nickel Trim
	<b>Z233PB</b>	Black Coilex® Baffle with Polished Brass Trim		<b>Lamp:</b>	20/42/50W 12V MR16 75W 12V MR16 with Z1-75 only
	<b>Z233WB</b>	White Coilex® Baffle with Matte White Trim		<b>OD:</b>	5 1/16"
	<b>Description:</b>	35° Tilt	<b>Z453SN</b>	<b>Z453SN</b>	Satin Nickel Coilex® Baffle - Metal, Satin Nickel Trim
	<b>Lamp:</b>	20/42/50W 12V MR16 75W 12V MR16 with Z1-75 only		<b>Lamp:</b>	20/42/50W 12V MR16 75W 12V MR16 with Z1-75 only
	<b>OD:</b>	5"		<b>OD:</b>	5 1/16"

REFLECTORS					
<b>Z235</b>	<b>Z235</b>	Clear Cone with Matte White Trim	<b>Z421SN</b>	<b>Z421SN</b>	Satin Nickel Reflector Cone - 35° Tilt, Satin Nickel Trim & Reflector
	<b>Z236</b>	Gold Cone with Matte White Trim		<b>Lamp:</b>	20/42/50W 12V MR16 75W 12V MR16 with Z1-75 only
	<b>Description:</b>	35° Tilt		<b>OD:</b>	5 1/16"
	<b>Lamp:</b>	20/42/50W 12V MR16 75W 12V MR16 with Z1-75 only			
	<b>OD:</b>	5"			

ADJUSTABLES					
<b>Z498SN</b>	<b>Z498SN</b>	Eyeball - 30° Tilt Satin Nickel Trim, Black Coilex® Baffle	<b>Z420SN</b>	<b>Z420SN</b>	Slot Aperture - 35° Tilt Satin Nickel Trim
	<b>Z498</b>	Eyeball - 30° Tilt Matte White Trim, Black Coilex® Baffle		<b>Z420</b>	Slot Aperture - 35° Tilt Matte White Trim
	<b>Lamp:</b>	20/42/50W 12V MR16 75W 12V MR16 with Z1-75 only		<b>Lamp:</b>	20/42/50W 12V MR16 75W 12V MR16 with Z1-75 only
	<b>OD:</b>	5 1/16"		<b>OD:</b>	5 1/16" (slot - 1 3/8" x 2 1/4")
<b>Z496SN</b>	<b>Z496SN</b>	Retractable Elbow - 50° Tilt Satin Nickel Trim	<b>Z495SN</b>	<b>Z495SN</b>	Gimbal Adjustable - 30° Tilt Satin Nickel Trim
	<b>Z496</b>	Retractable Elbow - 50° Tilt Matte White Trim		<b>Z495</b>	Gimbal Adjustable - 30° Tilt Matte White Trim
	<b>Lamp:</b>	20/42/50W 12V MR16 75W 12V MR16 with Z1-75 only		<b>Lamp:</b>	20/42/50W 12V MR16 75W 12V MR16 with Z1-75 only
	<b>OD:</b>	5 1/16"		<b>OD:</b>	5 1/16"



## Z1-75 NEW WORK

Low Voltage Housing

RECESSED LIGHTING

### Housing Features

- Includes integral thermal protector to insure against improper use of insulation or improper lamping.
- Dual tap 120/277V integral magnetic transformer steps line voltage down to lamp operating voltage.
- Junction box is listed for through branch circuit wiring. Includes knockouts.
- **Z1-75:** 120/277 Volt, Dual Tap Magnetic Transformer, 75W Max.

### Installation Features

- 5 1/2" height allows use in 2" x 6" construction.
- Housing can be removed from plaster frame for junction box access.

### Listings

- UL Damp Location
- UL Feed Through

### Dimensions

- Height: 5 1/2"
- Ceiling opening: 4 1/4"
- Housing: 6" x 10 7/8"

## Miniature Line Voltage

### DESCRIPTION

Miniature diameter Non-IC housing for line voltage accent lighting.

#### Housing Features

- Includes integral thermal protector to insure against improper use of insulation or improper lamp wattage.
- Junction box is listed for through branch circuit wiring. Includes knockouts.
- Unit includes captive bar hangers to span 24" joists and can be rotated 90°.
- Housing adjusts for ceilings up to 1" thick.

#### Installation Features

- 5 1/2" height allows use in 2 x 6 construction.
- Housing can be removed from plaster frame for junction box access.

#### Listings

- UL Damp Location
- UL Feed Through

#### Dimension

- Height: 5 1/2"
- Ceiling opening: 4 1/4"
- Housing: 5 1/4" x 8"



### L1 NEW WORK

Line Voltage Housing

RECESSED LIGHTING



### LR1 REMODEL

Line Voltage Housing

RECESSED LIGHTING

### DESCRIPTION

Miniature diameter Non-IC Remodel housing for line voltage accent lighting.

#### Housing Features

- Includes integral thermal protector to insure against improper use of insulation or improper lamp wattage.
- Junction box is listed for 90° supply wire. Includes knockouts.

#### Installation Features

- 5 1/2" height allows use in 2 x 6 construction.
- Unit slips through 4 1/4" nominal opening. (Per Template)

- One piece integral flange secures housing against ceiling.
- Four remodel clips secure housing and accommodate ceilings of various thickness.

#### Listings

- UL Damp Location
- UL Feed Through





#### Dimensions

- Height: 5 1/2"
- Ceiling opening per cut-out template: 4 1/4" nominal
- Housing: 4 5/8" Flange Diameter x 11 1/2"





## L1 LR1 TRIMS




### BAFFLES

<p><b>L33</b></p> 	<p><b>L33</b> Black Baffle with White Trim  <b>L33WB</b> White Baffle with White Trim  <b>Lamp:</b> 50W PAR20/R20  <b>OD:</b> 5"</p>	<p><b>L453SN</b></p> 	<p><b>L453SN</b> Satin Nickel Coilex® Baffle - Metal, Satin Nickel Trim  <b>Lamp:</b>  <b>OD:</b> 5 1/16"</p>
<p><b>L133</b></p> 	<p><b>L133</b> Black Baffle with White Trim  <b>L133WB</b> White Baffle with White Trim  <b>Lamp:</b> <b>L1 Housing/L133:</b> 45W R20 or 50W PAR20  <b>L1 Housing/L133WB:</b> 40W A19 or 50W PAR20/R20  <b>LR1 Housing/L133:</b> 40W A19 or 50W PAR20/R20  <b>LR1 Housing/L133WB:</b> 40W A19 or 50W PAR20/R20  <b>OD:</b> 5"</p>	<p><b>L493SN</b></p> 	<p><b>L493SN</b> Black Coilex® Baffle - Plastic, Satin Nickel Trim  <b>L493</b> Black Coilex® Baffle - Plastic, Matte White Trim  <b>Lamp:</b> 40W R16, 50W R20, 50W PAR20  <b>OD:</b> 5 1/16"</p>



### REFLECTORS

<p><b>L35</b></p> 	<p><b>L35</b> Clear Cone with White Trim  <b>L36</b> Gold Cone with White Trim  <b>Lamp:</b> 50W PAR20, 50W R20, 40W A19, 40W R16  <b>OD:</b> 5"</p>	<p><b>L499SN</b></p> 	<p><b>L499SN</b> Satin Nickel Clear Reflector Cone, with Satin Nickel Trim  <b>L499</b> Matte White Reflector Cone, with Matte White Trim  <b>Lamp:</b> 50W R20, 40W R16, 50W PAR20, 40W A19  <b>OD:</b> 5 1/16"</p>
-----------------------------------------------------------------------------------------------------	------------------------------------------------------------------------------------------------------------------------------------------------------------------	--------------------------------------------------------------------------------------------------------	----------------------------------------------------------------------------------------------------------------------------------------------------------------------------------------------------------------------------------




### ADJUSTABLES

<p><b>L45</b></p> 	<p><b>L45</b> White Eyeball Trim  <b>Lamp:</b> 40W R16, 60W PAR16  <b>OD:</b> 5"</p>	<p><b>L496SN</b></p> 	<p><b>L496SN</b> Eyeball - 15° Tilt, Satin Nickel Trim  <b>L496</b> Eyeball - 15° Tilt, Matte White Trim  <b>Lamp:</b> 50W PAR20  <b>OD:</b> 5 1/16"</p>
<p><b>L498SN</b></p> 	<p><b>L498SN</b> Eyeball - 30° Tilt, Satin Nickel Trim  <b>L498</b> Eyeball - 30° Tilt, Matte White Trim  <b>Lamp:</b> 40W R16, 60W PAR16  <b>OD:</b> 5 1/16"</p>		

### DIFFUSERS & WALL WASHERS

<p><b>L451SNS</b></p> 	<p><b>L451SNS</b> Shower Light, Satin Nickel Trim Ring  <b>L451WS</b> Shower Light, Matte White Trim Ring  <b>Lamp:</b> 50W PAR20, 50W R20, 40W A19  <b>OD:</b> 5 1/16"</p>	<p><b>L492SN</b></p> 	<p><b>L492SN</b> Wall Washer, Satin Nickel Trim &amp; Black Coilex® Baffle  <b>L492</b> Wall Washer, Matte White Trim &amp; Black Coilex® Baffle  <b>Lamp:</b> 50W R20, 40W R16, 40W A19  <b>OD:</b> 5 1/16"</p>
-----------------------------------------------------------------------------------------------------------	-----------------------------------------------------------------------------------------------------------------------------------------------------------------------------------------	----------------------------------------------------------------------------------------------------------	------------------------------------------------------------------------------------------------------------------------------------------------------------------------------------------------------------------------------

### OPEN

<p><b>L945</b></p> 	<p><b>L945</b> Metropolitan Ice Lite, Frosted Glass  <b>L945BL</b> Metropolitan Ice Lite, Blue Frosted Glass  <b>L945RS</b> Metropolitan Ice Lite, Rose Frosted Glass  <b>Lamp:</b> 50W PAR20, 50W R20  <b>OD:</b> 5 5/16"</p>	<p><b>L946PB</b></p> 	<p><b>L946PB</b> Metropolitan Deco, Translucent Discs w/Polished Brass Ring  <b>L946BC</b> Metropolitan Deco, Translucent Discs w/Black Chrome Ring  <b>Lamp:</b> 50W PAR20, 50W R20  <b>OD:</b> 5 5/8"</p>
<p><b>L490SN</b></p> 	<p><b>L490SN</b> Pinhole, Satin Nickel Trim  <b>L490</b> Pinhole, Matte White Trim  <b>Lamp:</b> 50W PAR20, 50W R20, 40W R16  <b>OD:</b> 5 1/16"</p>		

**Standard Non-IC**

**DESCRIPTION**



**Housing Features**

- Non-IC New Work Housing
- Integral thermal protector provides a guard against misuse of insulation materials or improper lamping.
- Utilizes an adjustable socket bracket, allowing the use of different lamp types while insuring correct lamp positioning.
- Junction box is UL listed for through branch circuit wiring.
- 7 1/2" height enables use in 2 x 8 construction.
- New Work Housings adjust 1 3/8" vertically to accommodate various ceiling thicknesses, up to 2".
- Uses fully adjustable (14" to 27") mounting bars with integral T-Bar clips and wood joist nailing tabs.

**Listings**

- UL Damp Location
- UL Feed Through

**Dimension**

- Height: 7 1/2"
- Ceiling opening: 6 1/2"
- Housing: 7 1/2" x 10 1/2"

**W1  
NEW WORK**

Standard  
Non-IC

RECESSED LIGHTING



**DESCRIPTION**

**Housing Features**

- Non-IC Remodel Housing
- Integral thermal protector provides a guard against misuse of insulation materials or improper lamping.
- Utilizes an adjustable socket bracket, allowing the use of different lamp types while insuring correct lamp positioning.
- 7 1/2" height enables use in 2 x 8 construction.
- Remodel Housing fits nominal 6 1/2" hole in any existing ceiling. (Per Template)
- One piece, complete flange secures housing against ceiling.
- Four Remodel Clips secure housing in various ceiling thicknesses.

**Listings**

- UL Damp Location
- UL Feed Through

**Dimension**

- Height: 7 1/2"
- Ceiling opening per cut-out template: 6 1/2" nominal
- Housing: 6 7/8" Flange Diameter x 13 1/4"

**WR1  
REMODEL**

Standard  
Non-IC

RECESSED LIGHTING



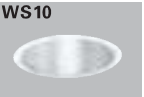



**W1  
WR1  
TRIMS**


**BAFFLES**

	<b>W49</b>	Black Step Baffle with Black Cone finish
	<b>W49WB</b>	White Step Baffle with White Cone finish
	<b>W48</b>	Black Step Baffle with Black Cone finish
	<b>W48WB</b>	White Step Baffle with White Cone finish
<b>Lamp:</b>		<b>W49/W49WB:</b> 75W PAR30, 120W PAR 38, 150W R40
		<b>W48/W48WB:</b> 75W R30, PAR30

**REFLECTORS**

	<b>WS10</b>	Specular Reflector with Clear Cone finish		<b>WS52</b>	Specular Cone with Clear Cone finish
	<b>WS11</b>	Specular Reflector with Black Cone finish		<b>WS53</b>	Specular Cone with Black Cone finish
	<b>WS12</b>	Specular Reflector with Gold Cone finish		<b>WS54</b>	Specular Cone with Gold Cone finish
	<b>WS20</b>	Specular Reflector with Clear Cone finish		<b>Lamp:</b>	
	<b>WS21</b>	Specular Reflector with Black Cone finish		<b>WS52/WS53/WS54:</b>	
	<b>WS22</b>	Specular Reflector with Gold Cone finish	75W R30, PAR30, 150W R40		
	<b>Lamp:</b>		<b>WS10/WS11/WS12:</b> 100W A19		
		<b>WS20/WS21/WS22:</b> 150W A21			

**WALL WASH**

	<b>W50</b>	Wall Wash with Black Baffle
	<b>W50WB</b>	Wall Wash with White Baffle
	<b>W45</b>	Eyeball, Baffle with Black Cone finish
	<b>W45WB</b>	Eyeball, Baffle with White Cone finish
	<b>W85</b>	Regressed Eyeball with Black Cone finish
	<b>W85WB</b>	Regressed Eyeball with White Cone finish
	<b>W76W</b>	Eyeball, Open
<b>Lamp:</b>		<b>W50/W50WB:</b> 60W A19
		<b>W45/W45WB:</b> 75W R30
		<b>W85/W85WB/W76W:</b> 75W R30, PAR30

**OPEN**

	<b>W68W</b>	Open
	<b>Lamp:</b>	<b>W68W:</b> 150W R40

**LENS**

	<b>W71W</b>	Fresnel, White
	<b>W72W</b>	Alba, White
	<b>W74W</b>	Drop Opal, White
	<b>WS71W</b>	Fresnel, Shower, White
	<b>WS72W</b>	Alba, Shower, White
<b>Lamp:</b>		<b>W71W/W72W/W74W/WS71W/WS72W:</b> 60W A19

**Standard - IC (Insulated Ceiling)**

**DESCRIPTION**



**WIC2  
NEW WORK  
IC HOUSING**

Standard -  
IC (Insulated Ceiling)

RECESSED LIGHTING

**Housing Features**

- IC New Work Housing
- Integral thermal protector provides a guard against misuse of insulation materials or improper lamping.
- Utilizes an adjustable socket bracket, allowing the use of different lamp types while insuring correct lamp positioning.
- Junction box is UL listed for through branch circuit wiring.
- 7 1/2" height enables use in 2 x 8 construction.
- Insulated ceiling housings are UL listed for direct contact with ceiling insulation.
- New Work Housings adjust 1 3/8" vertically to accommodate various ceiling thicknesses, up to 2".
- Uses fully adjustable (14" to 27") mounting bars with integral T-Bar clips and wood joist nailing tabs.

**Listings**

- UL Damp Location
- UL Feed Through

**Dimension**

- Height: 7 1/2"
- Ceiling opening: 6 1/2"
- Housing: 7 1/2" x 10 10 1/2"



**WRIC2  
REMODEL  
IC HOUSING**

Standard -  
IC (Insulated Ceiling)

RECESSED LIGHTING

**DESCRIPTION**

**Housing Features**

- IC Remodel Housing
- Integral thermal protector provides a guard against misuse of insulation materials or improper lamping.
- Utilizes an adjustable socket bracket, allowing the use of different lamp types while insuring correct lamp positioning.
- 7 1/2" height enables use in 2 x 8 construction.
- Insulated ceiling housings are UL listed for direct contact with ceiling insulation.
- Remodel Housing fits nominal 6 1/2" hole in any existing ceiling. (Per Template)
- One piece, complete flange secures housing against ceiling.
- Four Remodel Clips secure housing in various ceiling thicknesses.

**Listings**

- UL Damp Location
- UL Feed Through

**Dimension**

- Height: 7 1/2"
- Ceiling opening per cut-out template: 6 1/2" nominal
- Housing: 6 7/8" Flange Diameter x 13 1/4"





**WIC2  
WRIC2  
TRIMS**


## BAFFLES

	<b>W48</b>	Black Step Baffle with Black Cone finish
	<b>W48WB</b>	White Step Baffle with White Cone finish
	<b>Lamp:</b>	<b>W48/W48B:</b> 75W R30


## REFLECTORS

	<b>WS610</b>	Specular Reflector with Clear Cone finish		<b>WS52</b>	Specular Cone with Clear Cone finish
	<b>WS611</b>	Specular Reflector with Black Cone finish		<b>WS53</b>	Specular Cone with Black Cone finish
	<b>WS612</b>	Specular Reflector with Gold Cone finish		<b>WS54</b>	Specular Cone with Gold Cone finish
	<b>Lamp:</b>	<b>WS610/WS611/WS612:</b> 60W A19	<b>Lamp:</b>	<b>WS52/WS53/WS54:</b> 75W R30	

## ADJUSTABLES

	<b>W85</b>	Regressed Eyeball with Black Cone finish
	<b>W85WB</b>	Regressed Eyeball with White Cone finish
	<b>W76W</b>	Eyeball, Open
	<b>Lamp:</b>	<b>W85/W85WB:</b> 75W R30, 50W PAR30 <b>W76W:</b> 75W R30

## LENS

	<b>WS672W</b>	Alba, Shower
	<b>Lamp:</b>	<b>WS672W:</b> 40W A19

**Standard Non-IC Compact Fluorescent**

**DESCRIPTION**



**W3  
NEW WORK**

Standard Non-IC -  
Compact Fluorescent

RECESSED LIGHTING

**Housing Features**

- Non-IC New Work Housing
- Integral thermal protector provides a guard against misuse of insulation materials or improper lamping.
- Junction box is UL listed for through branch circuit wiring.
- 7 1/2" height enables use in 2 x 8 construction.
- Integral fluorescent ballast for one 13 watt Double Twin tube (DTT) lamp.
- Housing adjusts to accommodate various ceiling thicknesses, up to 2".
- Uses fully adjustable (14" to 27") mounting bars with integral T-Bar clips and wood joist nailing tabs.

**Lamp**

- (1) 13W DTT 2-Pin GX23-2 base

**Listings**

- UL Damp Location
- UL Feed Through

**Dimension**

- Height: 7 1/2"
- Ceiling opening: 6 1/2"
- Housing 7 1/2" x 10 1/2"



**WR3  
REMODEL**

Standard Non-IC -  
Compact Fluorescent

RECESSED LIGHTING

**DESCRIPTION**

**Housing Features**

- Non-IC Remodel Housing
- Integral thermal protector provides a guard against misuse of insulation materials or improper lamping.
- 7 1/2" height enables use in 2 x 8 construction.
- Integral fluorescent ballast for one 13 watt Double Twin tube (DTT) lamp.
- Remodel Housing fits nominal 6 1/2" hole in any existing ceiling. (Per Template)
- One piece, complete flange secures housing against ceiling.
- Four Remodel Clips secure housing in various ceiling thicknesses.

**Lamp**

- (1) 13W DTT 2-Pin GX23-2 base

**Listings**

- UL Damp Location
- UL Feed Through


**Dimension**

- Height: 7 1/2"
- Ceiling opening per cut-out template: 6 1/2" nominal
- Housing: 6 7/8" Flange Diameter x 13 1/4"




**W3  
WR3  
TRIMS**

## BAFFLES

	<b>W49</b>	Black Step Baffle with Black Cone finish
	<b>W49WB</b>	White Step Baffle with White Cone finish
	<b>W48</b>	Black Step Baffle with Black Cone finish
	<b>W48WB</b>	White Step Baffle with White Cone finish

## REFLECTORS

	<b>WS10</b>	Specular Reflector with Clear Cone finish		<b>WS52</b>	Specular Cone with Clear Cone finish
	<b>WS11</b>	Specular Reflector with Black Cone finish		<b>WS53</b>	Specular Cone with Black Cone finish
	<b>WS12</b>	Specular Reflector with Gold Cone finish		<b>WS54</b>	Specular Cone with Gold Cone finish
	<b>WS20</b>	Specular Reflector with Clear Cone finish			
	<b>WS21</b>	Specular Reflector with Black Cone finish			
	<b>WS22</b>	Specular Reflector with Gold Cone finish			

## WALL WASH

	<b>W50</b>	Wall Wash with Black Baffle
	<b>W50WB</b>	Wall Wash with White Baffle

## OPEN

	<b>W68W</b>	Open
-----------------------------------------------------------------------------------	-------------	------

## LENS

	<b>W71W</b>	Fresnel, White
	<b>W72W</b>	Alba, White
	<b>W74W</b>	Drop Opal, White
	<b>WS71W</b>	Fresnel, Shower, White
	<b>WS72W</b>	Alba, Shower, White



**W12  
NEW WORK**

Shallow Housing -  
5 1/2" Deep

RECESSED LIGHTING

**DESCRIPTION**

**Housing Features**

- Non-IC New Work Housing
- Integral thermal protector provides a guard against misuse of insulation materials or improper lamping.
- Utilizes an adjustable socket bracket, allowing the use of different lamp types while insuring correct lamp positioning.
- Junction box is UL listed for through branch circuit wiring.
- 5 1/2" height enables use in 2 x 6 construction.
- Housing adjusts to accommodate ceiling thicknesses, up to 2".
- Uses fully adjustable (14" to 27") mounting bars with integral T-Bar clips and wood joist nailing tabs.

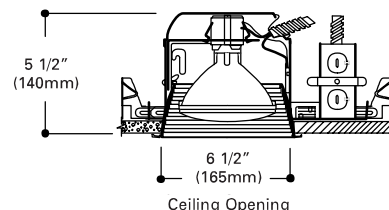
**Listings**

- UL Damp Location
- UL Feed Through

**Dimension**

- Height: 5 1/2"
- Ceiling opening: 6 1/2"
- Housing: 7 1/2" x 10 1/2"

**W12**



**WR12  
REMODEL**

Shallow Housing -  
5 1/2" Deep

RECESSED LIGHTING

**DESCRIPTION**

**Housing Features**

- Non-IC Remodel Housing
- Integral thermal protector provides a guard against misuse of insulation materials or improper lamping.
- Utilizes an adjustable socket bracket, allowing the use of different lamp types while insuring correct lamp positioning.
- 5 1/2" height enables use in 2 x 6 construction.
- Remodel Housing fits nominal 6 1/2" hole in any existing ceiling. (Per Template)
- One piece, complete flange secures housing against ceiling.
- Four Remodel Clips secure housing in various ceiling thicknesses.

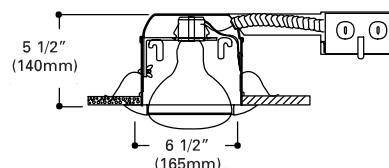
**Listings**

- UL Damp Location
- UL Feed Through

**Dimension**

- Height: 5 1/2"
- Ceiling opening per cut-out template: 6 1/2" nominal
- Housing: 6 7/8" Flange Diameter x 13 1/4"

**WR12**



**TRIMS**

<b>W74W</b>		<b>W48</b>	Black Step Baffle with White Trim / 75W R30
		<b>W48WB</b>	White Step Baffle with White Trim / 75W R30
		<b>W68W</b>	Open / 75W R30
		<b>W71W</b>	Fresnel Lens/ 60W A19
		<b>W72W</b>	Flat Lens/ 60W A19
		<b>W74W</b>	Drop White Opal Lens/ 60W A19
		<b>W76W</b>	Eyeball / 75W R30

Finish: White (W)

All trims are 8" in diameter. Torsion spring trims.

## DESCRIPTION

### Standard Features

- 50W R20, 50W PAR20, or 75W R20
- Thermally protected frame in kits meet all current U.L. and N.E.C. code requirements.
- Flexible Ground wire supplied.
- Old work mounting clips are supplied with all standard frame in kits.

### Optional Accessories

- Standard frame in kit may be ordered less plaster ring. Add less PR.
- Frame in kit is available suitable for damp locations. Add DL.
- All units are available with vertically adjustable mounting kit and 27" bars (for suspended ceilings). Add MK27.
- To order adjustable mounting bars for standard frame in kits use Cat No. AB1.
- 18" and 27" rigid mounting bars are available for all units.

### Dimensions

- Height: 5 1/2"
- Ceiling opening: 3 3/8"



## A2TP STANDARD THERMALLY PROTECTED

LiteAll™ - Alzak® Cones & Baffles

RECESSED LIGHTING

## DESCRIPTION

### Standard Features

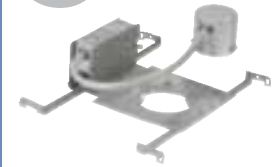
- 50W R20, 50W PAR20, or 75W R20
- Thermally protected frame in kits meet all current U.L. and N.E.C. code requirements.
- Prewired frame in kit is U.L. Listed for through circuit wiring.
- Prewired frame in kit is supplied with adjustable mounting bars.
- Flexible Ground wire supplied.
- Old work mounting clips are supplied with all standard frame in kits.

### Optional Accessories

- Frame in kits are available suitable for damp locations. Add DL.
- All units are available with vertically adjustable mounting kit and 27" bars (for suspended ceilings). Add MK27.
- 18" and 27" rigid mounting bars are available for all units.

### Dimensions

- Height: 5 1/2"
- Ceiling opening: 3 3/8"



## A22TP PREWIRED THERMALLY PROTECTED


LiteAll™ - Alzak® Cones & Baffles

RECESSED LIGHTING

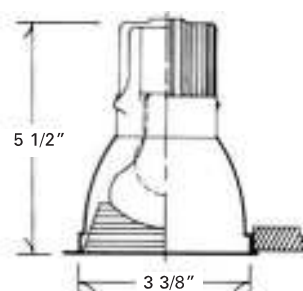
## BAFFLES

	<b>A133</b>	Black Baffle, White Reflector Trim Only
	<b>A133WB</b>	White Baffle, White Reflector Trim Only
	<b>A133-21</b>	Black Baffle, Aluminum Alzak® Trim
	<b>A133WB-21</b>	White Baffle, Aluminum Alzak® Trim
	<b>A133-31</b>	Black Baffle, Gold Alzak® Trim
	<b>A133WB-31</b>	White Baffle, Gold Alzak® Trim
<b>Lamp:</b>		50W R20, 50W PAR20, or 75W R20

## CONES

	<b>A134</b>	Satin Black Cone, White Reflector Trim Only
	<b>A135</b>	Satin Aluminum Cone, White Reflector Trim Only
	<b>A136</b>	Satin Gold Cone, White Reflector Trim Only
	<b>A134-21</b>	Satin Black Cone, Aluminum Alzak® Trim
	<b>A134-31</b>	Satin Black Cone, Gold Alzak® Trim
	<b>A135AW</b>	All White
	<b>A135-12</b>	Aluminum Alzak® Cone, White Trim
	<b>A135-21</b>	Satin Aluminum Cone, Aluminum Alzak® Trim
	<b>A135-22</b>	Aluminum Alzak® Cone, Aluminum Alzak® Trim
	<b>A135-31</b>	Satin Aluminum cone, Gold Alzak® Trim
	<b>A135-32</b>	Aluminum Alzak® Cone, Gold Alzak® Trim
	<b>A136-13</b>	Gold Alzak® Cone, White Trim
	<b>A136-21</b>	Satin Gold Cone, Aluminum Alzak® Trim
	<b>A136-23</b>	Gold Alzak® cone, Aluminum Alzak® Trim
	<b>A136-31</b>	Satin Gold Cone, Gold Alzak® Trim
	<b>A136-33</b>	Gold Alzak® Cone, Gold Alzak® Trim
<b>Lamp:</b>		50W R20, 50W PAR20, or 75W R20

### DIMENSIONS



### DESCRIPTION

#### Standard Features

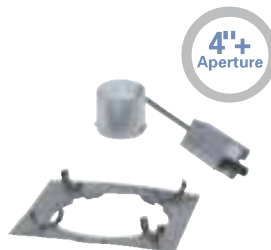
- 50W R20, 50W PAR20, or 75W R20
- Thermally protected frame in kits meet all current U.L. and N.E.C. code requirements.
- Flexible Ground wire supplied.
- Old work mounting clips are supplied with all standard frame in kits.

#### Optional Accessories

- Standard frame in kit may be ordered less plaster ring. Add less PR.
- Frame in kit is available suitable for damp locations. Add DL.
- All units are available with vertically adjustable mounting kit and 27" bars (for suspended ceilings). Add MK27.
- To order adjustable mounting bars for standard frame in kits use Cat No. AB1.
- 18" and 27" rigid mounting bars are available for all units.

#### Dimensions

- Height: 5 1/2"
- Ceiling opening: 3 3/8"



4"+  
Aperture

### A1TP STANDARD THERMALLY PROTECTED

LiteAll™ - Alzak® Cones & Baffles

RECESSED LIGHTING

### DESCRIPTION

#### Standard Features

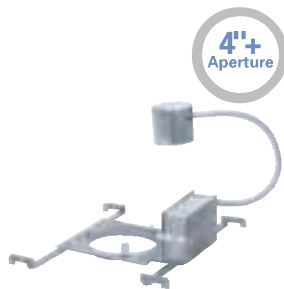
- 50W R20, 50W PAR20, or 75W R20
- Thermally protected frame in kits meet all current U.L. and N.E.C. code requirements.
- Prewired frame in kit is U.L. Listed for through circuit wiring.
- Prewired frame in kit is supplied with adjustable mounting bars.
- Flexible Ground wire supplied.
- Old work mounting clips are supplied with all standard frame in kits.

#### Optional Accessories

- Frame in kits are available suitable for damp locations. Add DL.
- All units are available with vertically adjustable mounting kit and 27" bars (for suspended ceilings). Add MK27.
- 18" and 27" rigid mounting bars are available for all units.

#### Dimensions

- Height: 5 1/2"
- Ceiling opening: 3 3/8"



4"+  
Aperture

### A12TP PREWIRED THERMALLY PROTECTED

LiteAll™ - Alzak® Cones & Baffles

RECESSED LIGHTING

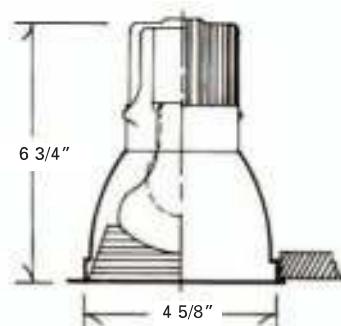
### BAFFLES

	<b>A148</b>	Black Baffle, White Reflector Trim
	<b>A148WB</b>	White Baffle, White Reflector Trim
	<b>A148-21</b>	Black Baffle, Aluminum Alzak® Trim
	<b>A148WB-21</b>	White Baffle, Aluminum Alzak® Trim
	<b>A148-31</b>	Black Baffle, Gold Alzak® Trim
	<b>A148WB-31</b>	White Baffle, Gold Alzak® Trim
<b>Lamp:</b>		75W R30, 65W BR30, or 75W PAR30L

### CONES

	<b>A153-12</b>	Satin Black Cone, White Reflector Trim
	<b>A153</b>	Satin Aluminum Cone, White Reflector Trim
	<b>A154</b>	Satin Gold Cone, White Reflector Trim
	<b>A152-21</b>	Satin Black Cone, Aluminum Alzak® Trim
	<b>A152-31</b>	Satin Black Cone, Gold Alzak® Trim
	<b>A153AW</b>	All White
	<b>A153-12</b>	Aluminum Alzak® Cone, White Trim
	<b>A153-21</b>	Satin Aluminum Cone, Aluminum Alzak® Trim
	<b>A153-22</b>	Aluminum Alzak® Cone, Aluminum Alzak® Trim
	<b>A153-31</b>	Satin Aluminum Cone, Gold Alzak® Trim
	<b>A153-32</b>	Aluminum Alzak® Cone, Gold Alzak® Trim
	<b>A154-13</b>	Gold Alzak® Cone, White Trim
	<b>A154-21</b>	Satin Gold Cone, Aluminum Alzak® Trim
	<b>A154-23</b>	Gold Alzak® Cone, Aluminum Alzak® Trim
	<b>A154-31</b>	Satin Gold Cone, Gold Alzak® Trim
	<b>A154-33</b>	Gold Alzak® Cone, Gold Alzak® Trim
<b>Lamp:</b>		75W R30, 65W BR30, or 75W PAR30L

### DIMENSIONS





**BAFFLES**

A149



- A149 Black Baffle, White Reflector Trim Only
- A149WB White Baffle, White Reflector Trim Only
- A149-21 Black Baffle, Aluminum Alzak® Trim
- A149WB-21 White Baffle, Aluminum Alzak® Trim
- A149-31 Black Baffle, Gold Alzak® Trim
- A149WB-31 White Baffle, Gold Alzak® Trim
- Lamp:** 150W R40, 120W BR40 or 150W PAR38

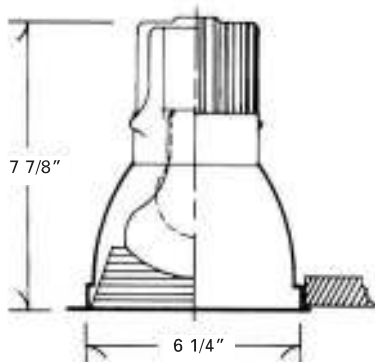
**CONES**

A157-12



- A156 Satin Black Cone, White Reflector Trim Only
- A157 Satin Aluminum Cone, White Reflector Trim Only
- A158 Satin Gold Cone, White Reflector Trim Only
- A156-21 Satin Black Cone, Aluminum Alzak® Trim
- A156-31 Satin Black Cone, Gold Alzak® Trim
- A157AW All White
- A157-12 Aluminum Alzak® Cone, White Trim
- A157-21 Satin Aluminum Cone, Aluminum Alzak® Trim
- A157-22 Aluminum Alzak® Cone, Aluminum Alzak® Trim
- A157-31 Satin Aluminum cone, Gold Alzak® Trim
- A157-32 Aluminum Alzak® Cone, Gold Alzak® Trim
- A158-13 Gold Alzak® Cone, White Trim
- A158-21 Satin Gold Cone, Aluminum Alzak® Trim
- A158-23 Gold Alzak® cone, Aluminum Alzak® Trim
- A158-31 Satin Gold Cone, Gold Alzak® Trim
- A158-33 Gold Alzak® Cone, Gold Alzak® Trim
- Lamp:** 150W R40, 120W BR40 or 150W PAR38

**DIMENSIONS**



**A3TP  
STANDARD  
THERMALLY  
PROTECTED**

LiteAll™ - Alzak® Cones & Baffles

RECESSED LIGHTING

**Standard Features**

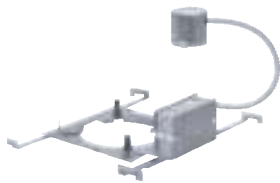
- 150W R40, 120W BR40 or 150W PAR38
- Thermally protected frame in kits meet all current U.L. and N.E.C. code requirements.
- Flexible Ground wire supplied.
- Old work mounting clips are supplied with all standard frame in kits. A3TP and A32TP frame in kits are supplied with a removable section for use with existing ceilings.

**Optional Accessories**

- Standard frame in kits may be ordered less plaster ring. Add less PR.
- Frame in kits are available suitable for damp locations. Add DL.
- All units are available with vertically adjustable mounting kit and 27" bars (for suspended ceilings). Add MK27.
- To order adjustable mounting bars for standard frame in kits use Cat No. AB1.
- 18" and 27" rigid mounting bars are available for all units.

**Dimensions**

- Height: 7 7/8"
- Ceiling opening: 6 1/4"



**A32TP  
PREWIRED  
THERMALLY  
PROTECTED**

**LiteAll™ - Alzak®  
Cones & Baffles**

**RECESSED LIGHTING**

**Standard Features**

- 150W R40, 120W BR40 or 150W PAR38
- Thermally protected frame in kits meet all current U.L. and N.E.C. code requirements.
- Prewired frame in kits are U.L. listed for through circuit wiring.
- Prewired frame in kits are supplied with adjustable mounting bars.
- Flexible Ground wire supplied.
- Old work mounting clips are supplied with all standard frame in kits.

**Optional Accessories**

- Frame in kits are available suitable for damp locations. Add DL.
- All units are available with vertically adjustable mounting kit and 27" bars (for suspended ceilings). Add MK27.
- 18" and 27" rigid mounting bars are available for all units.

**Dimensions**

- Height: 7 7/8"
- Ceiling opening: 6 1/4"

**BAFFLES**



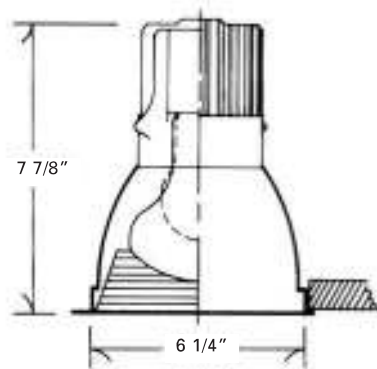
<b>A149</b>	<b>A149</b>	Black Baffle, White Reflector Trim Only
	<b>A149WB</b>	White Baffle, White Reflector Trim Only
	<b>A149-21</b>	Black Baffle, Aluminum Alzak® Trim
	<b>A149WB-21</b>	White Baffle, Aluminum Alzak® Trim
	<b>A149-31</b>	Black Baffle, Gold Alzak® Trim
	<b>A149WB-31</b>	White Baffle, Gold Alzak® Trim
	<b>Lamp:</b>	150 R40, 120W BR40 or 150W PAR38

**CONES**



<b>A157-12</b>	<b>A156</b>	Satin Black Cone, White Reflector Trim Only
	<b>A157</b>	Satin Aluminum Cone, White Reflector Trim Only
	<b>A158</b>	Satin Gold Cone, White Reflector Trim Only
	<b>A156-21</b>	Satin Black Cone, Aluminum Alzak® Trim
	<b>A156-31</b>	Satin Black Cone, Gold Alzak® Trim
	<b>A157AW</b>	All White
	<b>A157-12</b>	Aluminum Alzak® Cone, White Trim
	<b>A157-21</b>	Satin Aluminum Cone, Aluminum Alzak® Trim
	<b>A157-22</b>	Aluminum Alzak® Cone, Aluminum Alzak® Trim
	<b>A157-31</b>	Satin Aluminum cone, Gold Alzak® Trim
	<b>A157-32</b>	Aluminum Alzak® Cone, Gold Alzak® Trim
	<b>A158-13</b>	Gold Alzak® Cone, White Trim
	<b>A158-21</b>	Satin Gold Cone, Aluminum Alzak® Trim
	<b>A158-23</b>	Gold Alzak® cone, Aluminum Alzak® Trim
	<b>A158-31</b>	Satin Gold Cone, Gold Alzak® Trim
	<b>A158-33</b>	Gold Alzak® Cone, Gold Alzak® Trim
	<b>Lamp:</b>	150W R40, 120W BR40 or 150W PAR38

**DIMENSIONS**



## DESCRIPTION

### Standard Features

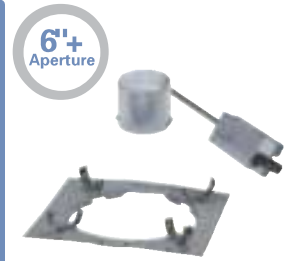
- 75W R30, 65W BR30 or 75W PAR30L
- Thermally protected frame in kits meet all current U.L. and N.E.C. code requirements.
- Flexible Ground wire supplied.
- A5TP and A32TP frame in kits are supplied with a removable section for use with existing ceilings.
- Old work mounting clips are supplied with A5TP frame in kits.

### Optional Accessories

- A5TP frame in kits may be ordered less plaster ring. Add less PR.
- Frame in kits are available suitable for damp locations. Add DL.
- All units are available with vertically adjustable mounting kit and 27" bars (for suspended ceilings). Add MK27.
- 18" and 27" rigid mounting bars are available for all units.

### Dimensions

- Height: 7 15/16"
- Ceiling opening: 6 3/4"



6"+  
Aperture

## A5TP SIDE MOUNT THERMALLY PROTECTED

LiteAll™ - Regressed  
Eyeball

RECESSED LIGHTING

## DESCRIPTION

### Standard Features

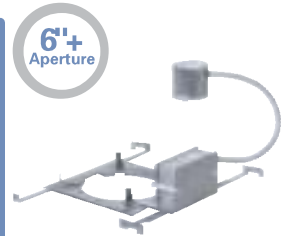
- 75W R30, 65W BR30 or 75W PAR30L
- Thermally protected frame in kits meet all current U.L. and N.E.C. code requirements.
- Rewired frame in kits are U.L. listed for through circuit wiring.
- Flexible Ground wire supplied.
- Rewired frame in kits are supplied with adjustable mounting bars. A5TP and A32TP frame in kits are supplied with a removable section for use with existing ceilings.
- Old work mounting clips are supplied with all standard frame in kits.

### Optional Accessories

- Frame in kits are available suitable for damp locations. Add DL.
- All units are available with vertically adjustable mounting kit and 27" bars (for suspended ceilings). Add MK27.
- 18" and 27" rigid mounting bars are available for all units.

### Dimensions

- Height: 7 15/16"
- Ceiling opening: 6 3/4"




6"+  
Aperture

## A32TP REWIRED THERMALLY PROTECTED

LiteAll™ - Regressed  
Eyeball

RECESSED LIGHTING

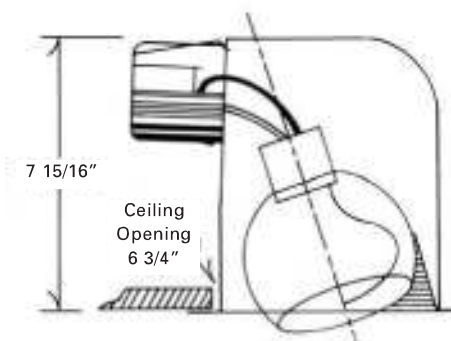
## REGRESSED EYEBALL IN BAFFLE

	<b>White Ball</b>	
	<b>A845</b>	Black Baffle, White Trim
	<b>A845WB</b>	White Baffle, White Trim
	<b>Lamp:</b>	75R30, 65W BR30 or 75W PAR30L

## REGRESSED EYEBALL IN CONE

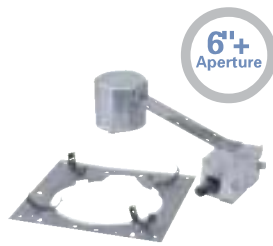
	<b>White Ball</b>	
	<b>A845-12</b>	Aluminum Alzak® Cone, White Trim
	<b>A845-13</b>	Gold Alzak® Cone, White Trim
	<b>A845-16</b>	Satin Black Cone, White Trim
	<b>A845-17</b>	Satin Aluminum Cone, White Trim
	<b>A845-18</b>	Satin Gold Cone, White Trim
	<b>Lamp:</b>	75R30, 65W BR30 or 75W PAR30L

## DIMENSIONS



**LiteAll™ - Eyeball**

**DESCRIPTION**



**A3TP  
STANDARD  
THERMALLY  
PROTECTED**

LiteAll™ - Eyeball

RECESSED LIGHTING

**Standard Features**

- 75W R30, 65W BR30 or 75W PAR30L
- Thermally protected frame in kits meet all current U.L. and N.E.C. code requirements.
- Flexible Ground wire supplied.
- Old work mounting clips are supplied with all standard frame in kits.
- Finish - Matte White Trim
- A3TP and A32TP frame in kits are supplied with a removable section for use with existing ceilings.

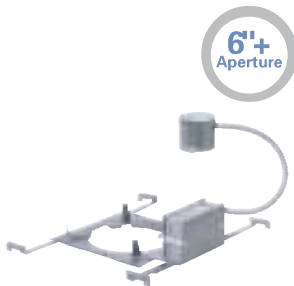
**Optional Accessories**

- Standard frame in kits may be ordered less plaster ring. Add less PR.
- Frame in kits are available suitable for damp locations. Add DL.
- All units are available with vertically adjustable mounting kit and 27" bars (for suspended ceilings). Add MK27.
- To order adjustable mounting bars for standard frame in kits use Cat No. AB1.
- 18" and 27" rigid mounting bars are available for all units.

**Dimensions**

- Height: 7 7/8"
- Ceiling opening: 6 3/4"

**DESCRIPTION**



**A32TP  
PREWIRED  
THERMALLY  
PROTECTED**

LiteAll™ - Regressed Eyeball

RECESSED LIGHTING

**Standard Features**

- 75W R30, 65W BR30 or 75W PAR30L
- Thermally protected frame in kits meet all current U.L. and N.E.C. code requirements.
- Rewired frame in kits are U.L. listed for through circuit wiring.
- Flexible Ground wire supplied.
- Rewired frame in kits are supplied with adjustable mounting bars.
- Finish - Matte White Trim
- A3TP and A32TP frame in kits are supplied with a removable section for use with existing ceilings.

**Optional Accessories**

- Frame in kits are available suitable for damp locations. Add DL.
- All units are available with vertically adjustable mounting kit and 27" bars (for suspended ceilings). Add MK27.
- 18" and 27" rigid mounting bars are available for all units.

**Dimensions**

- Height: 7 7/8"
- Ceiling opening: 6 3/4"

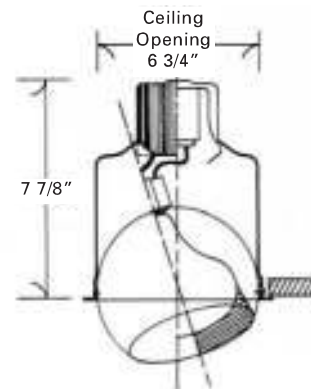
**EYEBALL WITH BAFFLE**

<b>A145</b>	<b>Eyeball - Baffle</b>
<b>A145</b>	Black Baffle, White Trim
<b>A145WB</b>	White Baffle, White Trim
<b>Lamp:</b>	75R30, 65W BR30 or 75W PAR30L

**EYEBALL WITH REFLECTOR CONE**

<b>A145-16</b>	<b>Eyeball - Reflector</b>
<b>A145-12</b>	Aluminum Alzak® Cone, White Trim
<b>A145-13</b>	Gold Alzak® Cone, White Trim
<b>A145-16</b>	Satin Black Cone, White Trim
<b>A145-17</b>	Satin Aluminum Cone, White Trim
<b>A145-18</b>	Satin Gold Cone, White Trim
<b>Lamp:</b>	75R30, 65W BR30 or 75W PAR30L

**DIMENSIONS**



Alzak® is a registered trademark of ALCOA

**DESCRIPTION**

**Installation Restrictions**

Because of side entry these units may not be used with standard thermally protected frame in kits (A3TP).

**Standard Features**

- 75-150W PAR38, 120W BR40 or 150W R40
- Thermally protected frame in kits meet all current U.L. and N.E.C. code requirements.
- Adjusts 358° horizontally and 30° vertically.
- May be used as downlight in sloped or cathedral ceilings.
- Flexible Ground wire supplied.
- Finish - Matte White trim.
- A5TP and A32TP frame in kits are supplied with a removable section for use with existing ceilings.
- Old work mounting clips are supplied with A5TP frame in kits.

**Optional Accessories**

- Side mount frame in kits may be ordered less plaster ring. Add less PR.
- Frame in kits are available suitable for damp locations. Add DL.
- All units are available with vertically adjustable mounting kit and 27" bars (for suspended ceilings). Add MK27.
- 18" and 27" rigid mounting bars are available for all units.

**Dimensions**

- Height: 7 15/16"
- Ceiling opening: 6 3/4"



**A5TP  
SIDE MOUNT  
THERMALLY  
PROTECTED**

LiteAll™ - Adjustable

RECESSED LIGHTING

**DESCRIPTION**

**Installation Restrictions**

Because of side entry these units may not be used with standard thermally protected frame in kits (A3TP).

**Standard Features**

- 75-150W PAR38, 120W BR40 or 150W R40
- Thermally protected frame in kits meet all current U.L. and N.E.C. code requirements.
- Adjusts 358° horizontally and 30° vertically.
- May be used as downlight in sloped or cathedral ceilings.
- Prewired frame in kits are U.L. listed for through circuit wiring.
- Flexible Ground wire supplied.

- Prewired frame in kits are supplied with adjustable mounting bars. A5TP and A32TP frame in kits are supplied with a removable section for use with existing ceilings.
- Finish - Matte White trim.

**Optional Accessories**

- Frame in kits are available suitable for damp locations. Add DL.
- All units are available with vertically adjustable mounting kit and 27" bars (for suspended ceilings). Add MK27.
- 18" and 27" rigid mounting bars are available for all units.

**Dimensions**

- Height: 7 15/16"
- Ceiling opening: 6 3/4"



**A32TP  
PREWIRED  
THERMALLY  
PROTECTED**

LiteAll™ - Adjustable

RECESSED LIGHTING

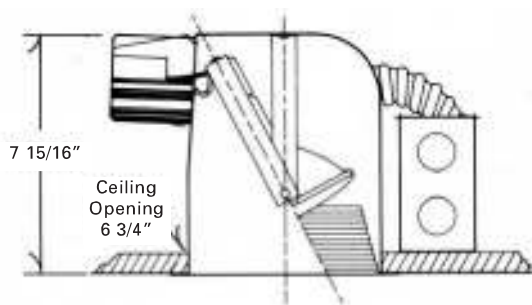
**BAFFLES**

<b>A649</b>	<b>A649</b>	Black Baffle, White Trim Adjustable
	<b>A649WB</b>	White Baffle, White Trim Adjustable
	<b>Lamp:</b>	75-150W PAR38, 120W BR40, or 150W R40

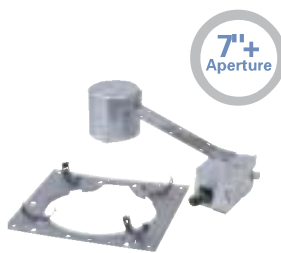
**CONES**

<b>A658</b>	<b>A656</b>	Satin Black Cone, White Trim Adjustable
	<b>A657</b>	Satin Aluminum Cone, White Trim Adjustable
	<b>A658</b>	Satin Gold Cone, White Trim Adjustable
	<b>A657-12</b>	Aluminum Alzak® Cone, White Trim Adjustable
	<b>A658-13</b>	Gold Alzak® Cone, White Trim Adjustable
	<b>Lamp:</b>	75-150W PAR38, 120W BR40, or 150W R40

**DIMENSIONS**



**DESCRIPTION**



7"+  
Aperture

**A3TP  
STANDARD  
THERMALLY  
PROTECTED**

LiteAll™  
Wall Wash

RECESSED LIGHTING

**Standard Features**

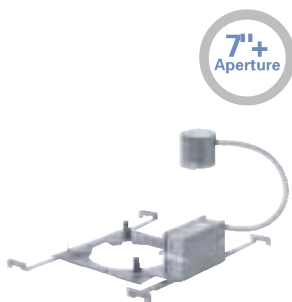
- 150W A21, 120W BR40 or 150W R40
- Thermally protected frame in kits meet all current U.L. and N.E.C. code requirements.
- Flexible Ground wire supplied.
- Finish - Matte White trim. Anodized aluminum reflector.
- A3TP and A32TP frame in kits are supplied with a removable section for use with existing ceilings.
- Old work mounting clips are supplied with all standard frame in kits.

**Optional Accessories**

- Standard frame in kits may be ordered less plaster ring. Add less PR.
- Frame in kits are available suitable for damp locations. Add DL.
- All units are available with vertically adjustable mounting kit and 27" bars (for suspended ceilings). Add MK27.
- To order adjustable mounting bars for standard frame in kits use Cat. No. AB1.
- 18" and 27" rigid mounting bars are available for all units.

**Dimensions**

- Height: 9 1/4"
- Ceiling opening: 7 5/8"



7"+  
Aperture

**A32TP  
PREWIRED  
THERMALLY  
PROTECTED**

LiteAll™  
Wall Wash

RECESSED LIGHTING

**DESCRIPTION**

**Standard Features**

- 150W A21, 120W BR40, 150W R40
- Thermally protected frame in kits meet all current U.L. and N.E.C. code requirements.
- Rewired frame in kits are U.L. listed for through circuit wiring.
- Flexible Ground wire supplied.
- Rewired frame in kits are supplied with adjustable mounting bars.
- Finish - Matte White Trim
- Anodized aluminum reflector
- A3TP and A32TP frame in kits are supplied with a removable section for use with existing ceilings.

**Optional Accessories**

- Frame in kits are available suitable for damp locations. Add DL.
- All units are available with vertically adjustable mounting kit and 27" bars (for suspended ceilings). Add MK27.
- 18" and 27" rigid mounting bars are available for all units.

**Dimensions**

- Height: 9 1/4"
- Ceiling opening: 7 5/8"

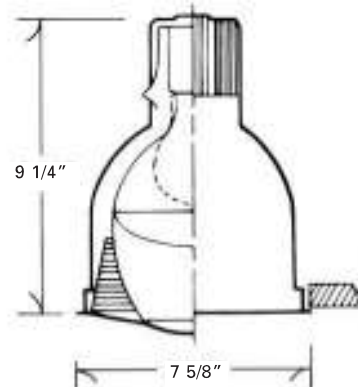
**WALL WASH**



<b>A150</b>	Black Baffle, White Trim
<b>A150WB</b>	White Baffle, White Trim
<b>A150-12</b>	Aluminum Alzak® Cone, White Trim
<b>A150-13</b>	Gold Alzak® Cone, White Trim

**Lamp:** 150W A21, 120W BR40 or 150W R40

**DIMENSIONS**



# LiteAll™ - Regressed Fresnel Lens & Regressed Flat Glass

**ATLITE®**

## DESCRIPTION

### Standard Features

- 100W A19
- Thermally protected frame in kits meet all current U.L. and N.E.C. code requirements.
- Flexible Ground wire supplied.
- Finish - Matte White trim. Anodized aluminum reflector.
- A3TP and A32TP frame in kits are supplied with a removable section for use with existing ceilings.
- Old work mounting clips are supplied with all standard frame in kits.

### Optional Accessories

- Standard frame in kits may be ordered less plaster ring. Add less PR.
- Frame in kits are available suitable for damp locations. Add DL.
- All units are available with vertically adjustable mounting kit and 27" bars (for suspended ceilings). Add MK27.
- To order adjustable mounting bars for standard frame in kits use Cat. No. AB1.
- 18" and 27" rigid mounting bars are available for all units.

### Dimensions

- Height: 7 3/8"
- Ceiling opening: 6 3/4"



## A3TP STANDARD THERMALLY PROTECTED

LiteAll™ - Regressed  
Fresnel Lens &  
Regressed Flat Glass

RECESSED LIGHTING

## DESCRIPTION

### Standard Features

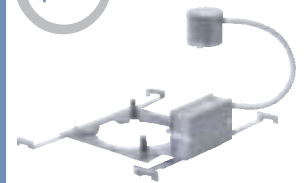
- 100W A19
- Thermally protected frame in kits meet all current U.L. and N.E.C. code requirements.
- Rewired frame in kits are U.L. listed for through circuit wiring.
- Flexible Ground wire supplied.
- Rewired frame in kits are supplied with adjustable mounting bars.
- Finish - Matte White trim. Anodized aluminum reflector.
- A3TP and A32TP frame in kits are supplied with a removable section for use with existing ceilings.

### Optional Accessories

- Standard frame in kits may be ordered less plaster ring. Add less PR.
- Frame in kits are available suitable for damp locations. Add DL.
- All units are available with vertically adjustable mounting kit and 27" bars (for suspended ceilings). Add MK27.
- 18" and 27" rigid mounting bars are available for all units.

### Dimensions

- Height: 7 3/8"
- Ceiling opening: 6 3/4"



## A32TP PREWIRED THERMALLY PROTECTED

LiteAll™ - Regressed  
Fresnel Lens &  
Regressed Flat Glass

RECESSED LIGHTING

## FLAT GLASS

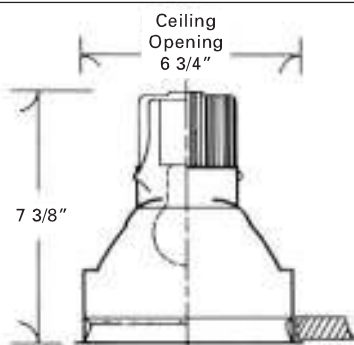
<b>A142</b>	<b>A142</b>	Flat Glass Trim
	<b>Lamp:</b>	100W A19

## FRESNEL LENS

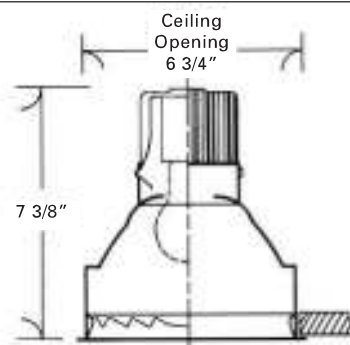
<b>A143</b>	<b>A143</b>	Fresnel Trim
	<b>Lamp:</b>	100W A19

## DIMENSIONS

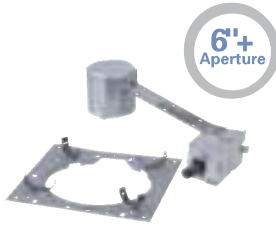
### REGRESSED FLAT GLASS



### REGRESSED FRESNEL LENS



**DESCRIPTION**



**A3TP  
STANDARD  
THERMALLY  
PROTECTED**

LiteAll™ -  
Alzak® Reflectors

RECESSED LIGHTING

**Installation Restrictions**

- These units may be installed only in new construction or where access above the ceiling is available. They may not be used with old work retaining clips or split mounting rings.
- The mounting rings must be rigidly secured to the ceiling.

**Standard Features**

- Thermally protected frame in kits meet all current U.L. and N.E.C. code requirements.
- Flexible Ground wire supplied.
- Finish - Matte White trim. Alzak® Reflector.

**Optional Accessories**

- Frame in kits are available suitable for damp locations. Add DL.
- All units are available with vertically adjustable mounting kit and 27" bars (for suspended ceilings). Add MK27.
- To order adjustable mounting bars for standard frame in kits use Cat. No. AB1.
- 18" and 27" rigid mounting bars are available for all units.

**Dimensions (See Dimensional Drawings)**

- Height: High - 9"; Low - 8" or High - 11 1/2"; Low - 10 3/4"
- Ceiling opening: 6 9/16"

**DESCRIPTION**



**A32TP  
PREWIRED  
THERMALLY  
PROTECTED**

LiteAll™ -  
Alzak® Reflectors

RECESSED LIGHTING

**Installation Restrictions**

- These units may be installed only in new construction or where access above the ceiling is available. They may not be used with old work retaining clips or split mounting rings.
- The mounting rings must be rigidly secured to the ceiling.

**Standard Features**

- Thermally protected frame in kits meet all current U.L. and N.E.C. code requirements.
- Rewired frame in kits are U.L. listed for through circuit wiring.
- Flexible Ground wire supplied.
- Rewired frame in kits are supplied with adjustable mounting bars.
- Finish - Matte White trim. Alzak® Reflector.


**Optional Accessories**

- Frame in kits are available suitable for damp locations. Add DL.
- All units are available with vertically adjustable mounting kit and 27" bars (for suspended ceilings). Add MK27.
- 18" and 27" rigid mounting bars are available for all units.

**Dimensions (See Dimensional Drawings)**

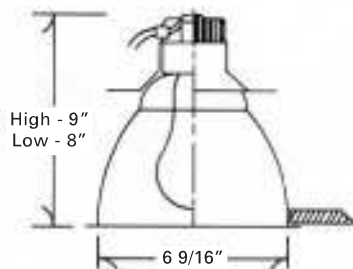
- Height: High - 9"; Low - 8" or High - 11 1/2"; Low - 10 3/4"
- Ceiling opening: 6 9/16"

**TRIMS**

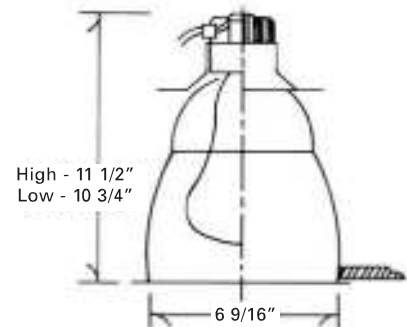
<b>A110</b>	<b>A110</b>	Specular Clear, 100W A19 or 150W A21 (General Service)
	<b>A120</b>	Specular Clear, 75W R30, 65W BR30, 75W PAR30L, 150W R40, 150W BR40 or 100W PAR38

**DIMENSIONS**

**100W A19, 150W A21  
(GENERAL SERVICE) LAMPS**



**R30, BR30, PAR30L, R40, BR40,  
PAR38 LAMPS**





**DESCRIPTION**

**Standard Features**

- 75W A19
- These units are UL listed for damp location and are supplied with a virtually unbreakable Polycarbonate diffuser and gasketed trim. There are no exposed metal parts. These units offer protection against shock and corrosion. They may be used over showers, and baths.
- These units must be ordered with frame in kits.
- Thermally protected frame in kits meet all current U.L. and N.E.C. code requirements.
- Gasketed diffuser twists for easy relamping.
- May be used outdoors.
- Flexible Ground wire supplied.
- Old work mounting clips are supplied with all standard frame in kits.
- Finish - Matte White trim.
- A3TPDL and A32TPDL frame in kits are supplied with a removable section for use with existing ceilings.

**Optional Accessories**

- Standard frame in kits may be ordered less plaster ring. Add less PR.
- All units are available with vertically adjustable mounting kit and 27" bars (for suspended ceilings). Add MK27.
- To order adjustable mounting bars for standard frame in kits use Cat. No. AB1.
- 18" and 27" rigid mounting bars are available for all units.

**Dimensions**

- Height: 7 7/8"
- Ceiling opening: 6 3/4"



**A3TPDL  
STANDARD  
THERMALLY  
PROTECTED**

LiteAll™ -Shower Lite

RECESSED LIGHTING

**DESCRIPTION**

**Standard Features**

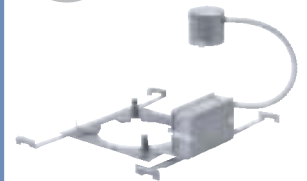
- 75W A19
- These units are UL listed for damp location and are supplied with a virtually unbreakable Polycarbonate diffuser and gasketed trim. There are no exposed metal parts. These units offer protection against shock and corrosion. They may be used over showers, and baths.
- These units must be ordered with frame in kits.
- Thermally protected frame in kits meet all current U.L. and N.E.C. code requirements.
- Gasketed diffuser twists for easy relamping.
- May be used outdoors.
- Prewired frame in kits are U.L. listed for through circuit wiring.
- Flexible Ground wire supplied.
- Prewired frame in kits are supplied with adjustable mounting bars.
- Finish - Matte White trim.
- A3TPDL and A32TPDL frame in kits are supplied with a removable section for use with existing ceilings.

**Optional Accessories**

- All units are available with vertically adjustable mounting kit and 27" bars (for suspended ceilings). Add MK27.
- 18" and 27" rigid mounting bars are available for all units.

**Dimensions**

- Height: 7 7/8"
- Ceiling opening: 6 3/4"




**A32TPDL  
PREWIRED  
THERMALLY  
PROTECTED**

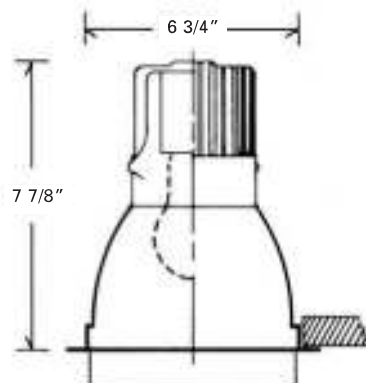
LiteAll™ -Shower Lite

RECESSED LIGHTING

**TRIMS**

<b>A207</b>	<b>A207</b>	White Shower Light, Trim and Diffuser (Polycarbonate)
	<b>Lamp:</b>	75W A19

**DIMENSIONS**





**CH213  
CH213HP  
CH228HP  
CH228HP277  
13W & 28W  
NON-IC HOUSING**

**Commercial  
Downlighting -  
Compact Fluorescent**

**RECESSED LIGHTING**

**Standard Features**

- Integral Fluorescent ballast for two 13W Twin Tube or 28W Double Twin Tube Compact Fluorescent lamps.
- Junction Box is listed for through branch circuit wiring and has five 1/2" and two 3/4" knockouts.
- Two-piece slide apart bar hangers span 24" joists and can be repositioned 90°.
- 5 5/16" height allows use in 2" x 6" construction.
- Trim support adjusts 3/4" to accommodate various ceiling thicknesses.
- Units are UL listed for damp location and for Feed Through.

**Dimensions**

- Height: 5 5/16"
- Ceiling Opening: 7 3/8"

**DESCRIPTION**

**Ordering Information**

**CH213**

- (2) 13W Twin Tube Compact Fluorescent Lamps
- CH213: 120V Normal Power Factor Ballast(s)
- CH213HP: 120V High Power Factor Ballast(s)
- Lamp Base: 13W TT-GX23

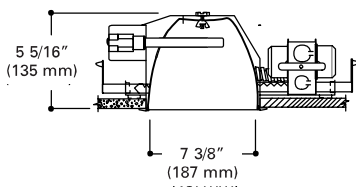
**CH228**

- (2) 28W Double Twin Tube Compact Fluorescent Lamps
- CH228HP: 120V High Power Factor Ballast(s)
- CH228HP277: 277V High Power Factor Ballast(s)
- Lamp Base: 28W DTT-GX32d-3

TT = Twin Tube Compact Fluorescent  
DTT = Double Twin Tube (Quad) Compact Fluorescent

**DIMENSIONS**

**CH213/228**



**REFLECTORS**

<b>CH810C</b>	<b>CH810C</b>	Specular Reflector, Clear
	<b>CH810G</b>	Specular Reflector, Gold

**CROSS BLADES**

<b>CH804</b>	<b>CH804</b>	Cross-Blade, Clear Anodized
	<b>CH804W</b>	Cross-Blade, White

**WALL WASHERS**

<b>CH810WW</b>	<b>CH810WW</b>	Wall Washer, White
		

**BAFFLES**

<b>CH810BA</b>	<b>CH810BA</b>	Black Baffle
	<b>CH810WB</b>	White Baffle

**LENS AND DIFFUSERS**

<b>CH803W</b>	<b>CH800W</b>	Albalite Lens (Wet Location Listed)
	<b>CH801W</b>	Drop Opal Lens (Wet Location Listed)
	<b>CH803W</b>	Fresnel Lens (Wet Location Listed)

# Commercial Downlighting - Non-IC Compact Fluorescent

**ATLITE®**

## DESCRIPTION

### Ordering Information

#### CH218

(2) 18W Double Twin Tube Two-Pin Compact Fluorescent Lamps (Four-Pin Electronic)

- CH218HP: 120V High Power Factor Ballast(s)
- CH218HP277: 277V High Power Factor Ballast(s)
- CH218E: 120-277V Electronic Ballast
- Lamp Bases:  
18W DTT - G24d-2  
18W DTT - G24q-2 (4-Pin, Electronic Ballast)

#### CH226

(2) 26W Double Twin Tube Two-Pin Compact Fluorescent Lamps (Four-Pin Electronic)

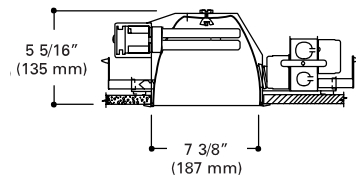
- CH226HP: 120V High Power Factor Ballast(s)
- CH226HP277: 277V High Power Factor Ballast(s)
- CH226E: 120-277V Electronic Ballast
- Lamp Bases:  
26W DTT - G24d-3  
26W DTT - G24q-3 (4-Pin, Electronic Ballast)



DTT = Double Twin Tube (Quad) Compact Fluorescent

## DIMENSIONS

### CH218/226



**CH218HP  
CH218HP277  
CH218E  
CH226HP  
CH226HP277  
CH226E  
18W & 26W  
NON-IC HOUSING**

**Commercial  
Downlighting -  
Compact Fluorescent**

**RECESSED LIGHTING**

## REFLECTORS

### CH810C



### CH810C

Specular Reflector, Clear

### CH810G

Specular Reflector, Gold

## CROSS BLADES

### CH804



### CH804

Cross-Blade, Clear Anodized

### CH804W

Cross-Blade, White

## WALL WASHERS

### CH810WW



### CH810WW

Wall Washer, White

## BAFFLES

### CH810BA



### CH810BA

Black Baffle

### CH810WB

White Baffle

## LENS AND DIFFUSERS

### CH803W



### CH800W

Albalite Lens (Wet Location Listed)

### CH801W

Drop Opal Lens (Wet Location Listed)

### CH803W

Fresnel Lens (Wet Location Listed)

### Standard Features

- Integral Fluorescent ballast for two 18W or 26W Double Twin Tube Compact Fluorescent lamps.
- Junction Box is listed for through branch circuit wiring and has five 1/2" and two 3/4" knockouts.
- Two-piece slide apart bar hangers span 24" joists and can be repositioned 90°.
- 5 5/16" height allows use in 2" x 6" construction.
- Trim support adjusts 3/4" to accommodate various ceiling thicknesses.
- Units are UL listed for damp location and for Feed Through.

### Dimensions

- Height: 5 5/16"
- Ceiling Opening: 7 3/8"

### DESCRIPTION



### CS-NEW WORK CR-OLD WORK NON-IC HOUSING

#### Commercial - Low Profile Downlight

#### RECESSED LIGHTING

##### Standard Features

- Thermally protected units meet all current U.L. and N.E.C. code requirements.
- Units are UL listed for damp location.
- Prewired units are UL listed for thru-circuit wiring.
- Flexible ground wire is supplied.
- For ceilings up to 1" thick

##### Optional Accessories

- Mounting clips and 27" bars.

##### Dimensions

- Height: 3 7/8"
- Ceiling Opening: 6 3/4"

##### Trim Finishes

- White Cross Blade - CT-340
- Black Cross Blade - CT-341
- Black Baffle - CT-490
- White Baffle - CT-491
- Specular Clear Alzak® - CT-570
- Specular Gold Alzak® - CT-580
- Satin Anodized Aluminum - CT-170
- Satin Anodized Gold - CT-180

### Ordering Information

#### New Work

Ordering Number	Lamp
CS-213-NM-*	(2) 13W DTT 2-Pin GX23-2 base
CS-218-HP-*	(2) 18W DTT 2-Pin G24d2 base
CS-218-EL-*	(2) 18W DTT 4-Pin G24q2 base
CS-226-HP-*	(2) 26W DTT 2-Pin G24d3 base
CS-226-EL-*	(2) 26W DTT 4-Pin G24q3 base

#### Ballast

Normal Power Factor Magnetic  
High Power Factor Magnetic  
High Power Factor Electronic  
High Power Factor Magnetic  
High Power Factor Electronic

#### Old Work

Ordering Number	Lamp
CR-213-NM-*	(2) 13W DTT 2-Pin GX23-2 base
CR-218-HP-*	(2) 18W DTT 2-Pin G24d2 base
CR-218-EL-*	(2) 18W DTT 4-Pin G24q2 base
CR-226-HP-*	(2) 26W DTT 2-Pin G24d3 base
CR-226-EL-*	(2) 26W DTT 4-Pin G24q3 base

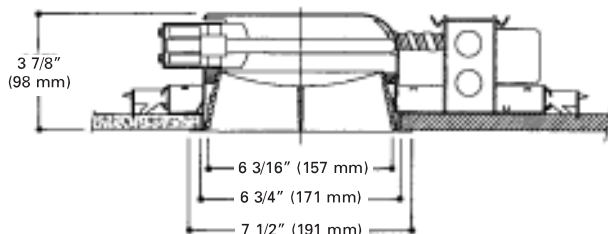
#### Ballast

Normal Power Factor Magnetic  
High Power Factor Magnetic  
High Power Factor Electronic  
High Power Factor Magnetic  
High Power Factor Electronic

\* Leave blank for 120V - Add 277 to order number for 277V

DTT = Double Twin Tube (Quad) Compact Fluorescent

### DIMENSIONS



### CONE INSERTS

CT-340	CT-340	White Cross Blade
CT-341	CT-341	Black Cross Blade
CT-490	CT-490	Black Baffle
CT-491	CT-491	White Baffle

### CONES

CT-570	CT-570	Specular Clear Alzak®
CT-580	CT-580	Specular Gold Alzak®
CT-170	CT-170	Satin Anodized Aluminum
CT-180	CT-180	Satin Anodized Gold

# LiteAll™ - Double Twin Tube (Quad) Compact Fluorescent

**ATLITE®**

## DESCRIPTION

### Standard Features

- Frame in kits meet all current U.L. and N.E.C. code requirements.
- Long life economical compact fluorescent lamps.
- 9 watt lamps produce 575 lumens per watt.
- Low energy costs - outperforms incandescent lamps.
- Quick installation - ground wire included.
- Normal power factor ballast supplied with frame in kits.
- Old work mounting clips are supplied with all standard frame in kits.
- Ceiling Opening: 4 5/8"

### Optional Accessories

- Standard frame in kits may be ordered less plaster ring. Add less PR.
- Frame in kits are available suitable for damp locations. Add DL.
- All units are available with vertically adjustable mounting kit and 27" bars (for suspended ceilings). Add MK27.
- To order adjustable mounting bars for standard frame in kits use Cat. No. AB1.
- 18" and 27" rigid mounting bars are available for all units.
- 277 volt ballast available.



**A6**  
**STANDARD**  
**9 WATT**

LiteAll™ -  
Double Twin Tube (Quad)  
Fluorescent

RECESSED LIGHTING

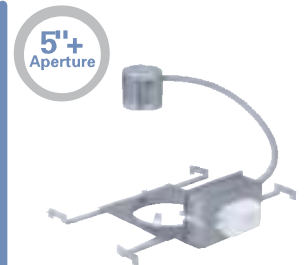
## DESCRIPTION

### Standard Features

- Frame in kits meet all current U.L. and N.E.C. code requirements.
- Long life economical compact fluorescent lamps.
- 9 watt lamps produce 575 lumens per watt.
- Low energy costs - outperforms incandescent lamps.
- Quick installation - ground wire included.
- Normal power factor ballast supplied with frame in kits.
- Prewired frame in kits are U.L. listed for through circuit wiring.
- Prewired frame in kits are supplied with adjustable mounting bars.
- Ceiling Opening: 4 5/8"

### Optional Accessories

- Frame in kits are available suitable for damp locations. Add DL.
- All units are available with vertically adjustable mounting kit and 27" bars (for suspended ceilings). Add MK27.
- 18" and 27" rigid mounting bars are available for all units.
- High power factor ballasts are available on prewired frame in kits only. Add PF.
- 277 volt ballast available.



**A62**  
**PREWIRED**  
**9 WATT**

LiteAll™ -  
Double Twin Tube (Quad)  
Fluorescent

RECESSED LIGHTING

## TRIMS

**A148**

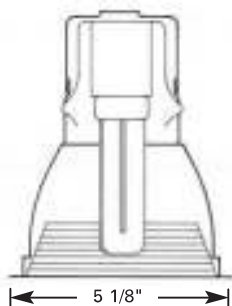
9 Watt Double Twin Tube (Quad) Fluorescent



For use with the following trims:

Cat. No.	Description
<b>A148</b>	Black Baffle, White Reflector Trim
<b>A148WB</b>	White Baffle, White Reflector Trim
<b>A148-21</b>	Black Baffle, Aluminum Alzak® Trim
<b>A148WB-21</b>	White Baffle, Aluminum Alzak® Trim
<b>A148-31</b>	Black Baffle, Gold Alzak® Trim
<b>A148WB-31</b>	White Baffle, Gold Alzak® Trim
<b>A152</b>	Satin Black Cone, White Reflector Trim
<b>A153</b>	Satin Aluminum Cone, White Reflector Trim
<b>A154</b>	Satin Gold Cone, White Reflector Trim
<b>A152-21</b>	Satin Black Cone, Aluminum Alzak® Trim
<b>A152-31</b>	Satin Black Cone, Gold Alzak® Trim
<b>A153AW</b>	All White
<b>A153-12</b>	Aluminum Alzak® Cone, White Trim
<b>A153-21</b>	Satin Aluminum Cone, Aluminum Alzak® Trim
<b>A153-22</b>	Aluminum Alzak® Cone, Aluminum Alzak® Trim
<b>A153-31</b>	Satin Aluminum cone, Gold Alzak® Trim
<b>A153-32</b>	Aluminum Alzak® Cone, Gold Alzak® Trim
<b>A154-13</b>	Gold Alzak® Cone, White Trim
<b>A154-21</b>	Satin Gold Cone, Aluminum Alzak® Trim
<b>A154-23</b>	Gold Alzak® cone, Aluminum Alzak® Trim
<b>A154-31</b>	Satin Gold Cone, Gold Alzak® Trim
<b>A154-33</b>	Gold Alzak® Cone, Gold Alzak® Trim

## DIMENSIONS



**DESCRIPTION**

**Standard Features**

- Frame in kits meet all current U.L. and N.E.C. code requirements.
- Long life economical compact fluorescent lamps.
- 13 watt lamps produce 860 lumens per watt.
- Low energy costs - outperforms incandescent lamps.
- Quick installation - ground wire included.
- Normal power factor ballast supplied with frame in kits.
- Old work mounting clips are supplied with all standard frame in kits.
- Ceiling Opening: 4 5/8"

**Optional Accessories**

- Standard frame in kits may be ordered less plaster ring. Add less PR.
- Frame in kits are available suitable for damp locations. Add DL.
- All units are available with vertically adjustable mounting kit and 27" bars (for suspended ceilings). Add MK27.
- To order adjustable mounting bars for standard frame in kits use Cat. No. AB1.
- 18" and 27" rigid mounting bars are available for all units.
- 277 volt ballast available.



**A7  
STANDARD  
13 WATT**

LiteAll™ -  
Double Twin Tube (Quad)  
Fluorescent

RECESSED LIGHTING

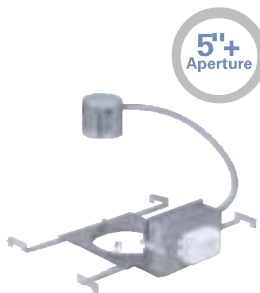
**DESCRIPTION**

**Standard Features**

- Frame in kits meet all current U.L. and N.E.C. code requirements.
- Long life economical compact fluorescent lamps.
- 13 watt lamps produce 860 lumens per watt.
- Low energy costs - outperforms incandescent lamps.
- Quick installation - ground wire included.
- Normal power factor ballast supplied with frame in kits.
- Rewired frame in kits are U.L. listed for through circuit wiring.
- Rewired frame in kits are supplied with adjustable mounting bars.
- Ceiling Opening: 4 5/8"

**Optional Accessories**

- Frame in kits are available suitable for damp locations. Add DL.
- All units are available with vertically adjustable mounting kit and 27" bars (for suspended ceilings). Add MK27.
- 18" and 27" rigid mounting bars are available for all units.
- High power factor ballasts are available on prewired frame in kits only. Add PF.
- 277 volt ballast available.



**A72  
PREWIRED  
13 WATT**

LiteAll™ -  
Double Twin Tube (Quad)  
Fluorescent

RECESSED LIGHTING

**TRIMS**

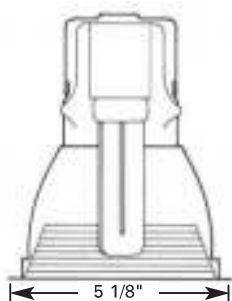
**A153-12** 13 Watt Double Twin Tube (Quad) Fluorescent



For use with the following trims:

Cat. No.	Description
A148	Black Baffle, White Reflector Trim
A148WB	White Baffle, White Reflector Trim
A148-21	Black Baffle, Aluminum Alzak® Trim
A148WB-21	White Baffle, Aluminum Alzak® Trim
A148-31	Black Baffle, Gold Alzak® Trim
A148WB-31	White Baffle, Gold Alzak® Trim
A152	Satin Black Cone, White Reflector Trim
A153	Satin Aluminum Cone, White Reflector Trim
A154	Satin Gold Cone, White Reflector Trim
A152-21	Satin Black Cone, Aluminum Alzak® Trim
A152-31	Satin Black Cone, Gold Alzak® Trim
A153AW	All White
A153-12	Aluminum Alzak® Cone, White Trim
A153-21	Satin Aluminum Cone, Aluminum Alzak® Trim
A153-22	Aluminum Alzak® Cone, Aluminum Alzak® Trim
A153-31	Satin Aluminum cone, Gold Alzak® Trim
A153-32	Aluminum Alzak® Cone, Gold Alzak® Trim
A154-13	Gold Alzak® Cone, White Trim
A154-21	Satin Gold Cone, Aluminum Alzak® Trim
A154-23	Gold Alzak® cone, Aluminum Alzak® Trim
A154-31	Satin Gold Cone, Gold Alzak® Trim
A154-33	Gold Alzak® Cone, Gold Alzak® Trim

**DIMENSIONS**



Alzak® is a registered trademark of ALCOA

# LiteAll™ - Double Twin Tube (Quad) Compact Fluorescent

**ATLITE®**

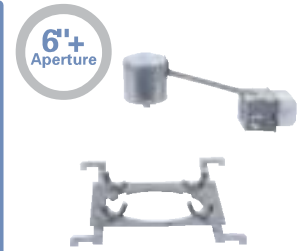
## DESCRIPTION

### Standard Features

- Frame in kits meet all current U.L. and N.E.C. code requirements.
- Long life economical compact fluorescent lamps.
- 9 watt lamps produce 575 lumens per watt.
- Low energy costs - outperforms incandescent lamps.
- Quick installation - ground wire included.
- Normal power factor ballast supplied with frame in kits.
- Old work mounting clips are supplied with all standard frame in kits.
- All frame in kits are supplied with removable section for use with existing ceilings.
- Ceiling Opening: 6 9/16"

### Optional Accessories

- Standard frame in kits may be ordered less plaster ring. Add less PR.
- Frame in kits are available suitable for damp locations. Add DL.
- All units are available with vertically adjustable mounting kit and 27" bars (for suspended ceilings). Add MK27.
- To order adjustable mounting bars for standard frame in kits use Cat. No. AB1.
- 18" and 27" rigid mounting bars are available for all units.
- 277 volt ballast available.



**A8**  
**STANDARD**  
**9 WATT**

LiteAll™ -  
Double Twin Tube (Quad)  
Fluorescent

RECESSED LIGHTING

## DESCRIPTION

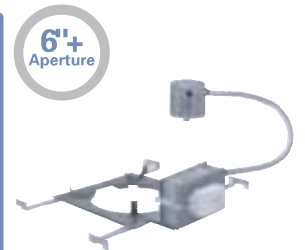
### Standard Features

- Frame in kits meet all current U.L. and N.E.C. code requirements.
- Long life economical compact fluorescent lamps.
- 9 watt lamps produce 575 lumens per watt.
- Low energy costs - outperforms incandescent lamps.
- Quick installation - ground wire included.
- Normal power factor ballast supplied with frame in kits.
- Rewired frame in kits are U.L. listed for through circuit wiring.
- Rewired frame in kits are supplied with adjustable mounting bars.

- All frame in kits are supplied with removable section for use with existing ceilings.
- Ceiling Opening: 6 9/16"

### Optional Accessories

- Frame in kits are available suitable for damp locations. Add DL.
- All units are available with vertically adjustable mounting kit and 27" bars (for suspended ceilings). Add MK27.
- 18" and 27" rigid mounting bars are available for all units.
- High power factor ballasts are available on rewired frame in kits only. Add PF.
- 277 volt ballast available.



**A82**  
**PREWIRED**  
**9 WATT**

LiteAll™ -  
Double Twin Tube (Quad)  
Fluorescent

RECESSED LIGHTING

## TRIMS

A110

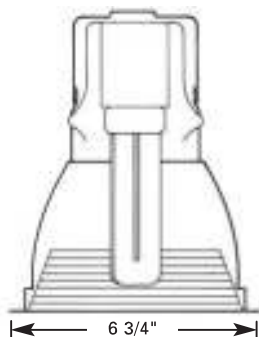
9 Watt Double Twin Tube (Quad) Fluorescent



For use with the following trims:

Cat. No.	Description
A110	Specular Clear
A120	Specular Clear
A142	Regressed Flat Glass-Reflector Trim
A143	Regressed Fresnel Lens-Reflector Trim
A149	Black Baffle, White Reflector Trim
A149WB	White Baffle, White Reflector trim
A149-21	Black Baffle, Aluminum Alzak® Trim
A149WB-21	White Baffle, Aluminum Alzak® Trim
A149-31	Black Baffle, Gold Alzak® Trim
A149WB-31	White Baffle, Gold Alzak® Trim
A150	Wall Washer, Black Baffle, White Trim
A150WB	Wall Washer, White Baffle, White Trim
A156	Satin Black Cone, White Reflector Trim
A156-21	Satin Black Cone, Aluminum Alzak® Trim
A156-31	Satin Black Cone, Gold Alzak® Trim
A157	Satin Aluminum Cone, White Reflector Trim
A157AW	All White
A157-12	Aluminum Alzak® Cone, White Trim
A157-21	Satin Aluminum Cone, Aluminum Alzak® Trim
A157-22	Aluminum Alzak® Cone, Aluminum Alzak® Trim
A157-31	Satin Aluminum Cone, Gold Alzak® Trim
A157-32	Aluminum Alzak® Cone, Gold Alzak® Trim
A158	Satin Gold Cone, White Reflector Trim
A158-13	Gold Alzak® Cone, White Trim
A158-21	Satin Gold Cone, Aluminum Alzak® Trim
A158-23	Gold Alzak® Cone, Aluminum Alzak® Trim
A158-31	Satin Gold Cone, Gold Alzak® Trim
A158-33	Gold Alzak® Cone, Gold Alzak® Trim
A207S	Shower Lite, White

## DIMENSIONS



Alzak® is a registered trademark of ALCOA

COOPER LIGHTING

109

**DESCRIPTION**

**Standard Features**

- Frame in kits meet all current U.L. and N.E.C. code requirements.
- Long life economical compact fluorescent lamps.
- 13 watt lamps produce 860 lumens per watt.
- Low energy costs - outperforms incandescent lamps.
- Quick installation - ground wire included.
- Normal power factor ballast supplied with frame in kits.
- Old work mounting clips are supplied with all standard frame in kits.
- All frame in kits are supplied with removable section for use with existing ceilings.
- Ceiling Opening: 6 9/16"

**Optional Accessories**

- Standard frame in kits may be ordered less plaster ring. Add less PR.
- Frame in kits are available suitable for damp locations. Add DL.
- All units are available with vertically adjustable mounting kit and 27" bars (for suspended ceilings). Add MK27.
- To order adjustable mounting bars for standard frame in kits use Cat. No. AB1.
- 18" and 27" rigid mounting bars are available for all units.
- 277 volt ballast available.



**A9  
STANDARD  
13 WATT**

LiteAll™ -  
Double Twin Tube (Quad)  
Fluorescent

RECESSED LIGHTING

**DESCRIPTION**

**Standard Features**

- Frame in kits meet all current U.L. and N.E.C. code requirements.
- Long life economical compact fluorescent lamps.
- 13 watt lamps produce 860 lumens per watt.
- Low energy costs - outperforms incandescent lamps.
- Quick installation - ground wire included.
- Normal power factor ballast supplied with frame in kits.
- Rewired frame in kits are U.L. listed for through circuit wiring.
- Rewired frame in kits are supplied with adjustable mounting bars.

- All frame in kits are supplied with removable section for use with existing ceilings.
- Ceiling Opening: 6 9/16"

**Optional Accessories**

- Frame in kits are available suitable for damp locations. Add DL.
- All units are available with vertically adjustable mounting kit and 27" bars (for suspended ceilings). Add MK27.
- 18" and 27" rigid mounting bars are available for all units.
- High power factor ballasts are available on rewired frame in kits only. Add PF.
- 277 volt ballast available.



**A92  
PREWIRED  
13 WATT**

LiteAll™ -  
Double Twin Tube (Quad)  
Fluorescent

RECESSED LIGHTING

**TRIMS**

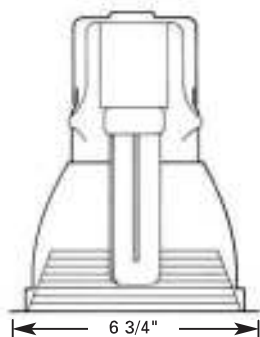
**A110 13 Watt Double Twin Tube (Quad) Fluorescent**



For use with the following trims:

Cat. No.	Description
A110	Specular Clear
A120	Specular Clear
A142	Regressed Flat Glass-Reflector Trim
A143	Regressed Fresnel Lens-Reflector Trim
A149	Black Baffle, White Reflector Trim
A149WB	White Baffle, White Reflector Trim
A149-21	Black Baffle, Aluminum Alzak® Trim
A149WB-21	White Baffle, Aluminum Alzak® Trim
A149-31	Black Baffle, Gold Alzak® Trim
A149WB-31	White Baffle, Gold Alzak® Trim
A150	Wall Washer, Black Baffle, White Trim
A150WB	Wall Washer, White Baffle, White Trim
A156	Satin Black Cone, White Reflector Trim
A156-21	Satin Black Cone, Aluminum Alzak® Trim
A156-31	Satin Black Cone, Gold Alzak® Trim
A157	Satin Aluminum Cone, White Reflector Trim
A157AW	All White
A157-12	Aluminum Alzak® Cone, White Trim
A157-21	Satin Aluminum Cone, Aluminum Alzak® Trim
A157-22	Aluminum Alzak® Cone, Aluminum Alzak® Trim
A157-31	Satin Aluminum Cone, Gold Alzak® Trim
A157-32	Aluminum Alzak® Cone, Gold Alzak® Trim
A158	Satin Gold Cone, White Reflector Trim
A158-13	Gold Alzak® Cone, White Trim
A158-21	Satin Gold Cone, Aluminum Alzak® Trim
A158-23	Gold Alzak® Cone, Aluminum Alzak® Trim
A158-31	Satin Gold Cone, Gold Alzak® Trim
A158-33	Gold Alzak® Cone, Gold Alzak® Trim
A207S	Shower Lite, White

**DIMENSIONS**



Alzak® is a registered trademark of ALCOA



## DESCRIPTION

### Standard Features

- 60W A19
- Thermally protected frame in kits meet all current U.L. and N.E.C. code requirements.
- All units are UL listed for damp locations.
- All units are fully gasketed.
- Finishes: Anodized Aluminum (AL), White (W).
- Anodized Aluminum trims should be used in damp locations.
- Flexible Ground wire supplied.
- Mounting ring supplied with all round units (407TP and 404TP).
- Old work mounting clips are supplied with all standard units.

### Dimensions

- Height: 6 3/4"
- Ceiling opening: 5 1/2"



**407TP  
404TP**  
STANDARD  
THERMALLY  
PROTECTED

Shower Lights

RECESSED LIGHTING

## DESCRIPTION

### Standard Features

- 60W A19
- Thermally protected frame in kits meet all current U.L. and N.E.C. code requirements.
- All units are UL listed for damp locations.
- All units are fully gasketed.
- Finishes: Anodized Aluminum (AL), White (W).
- Anodized Aluminum trims should be used in damp locations.
- Rewired units are UL listed for through circuit wiring.
- Flexible Ground wire supplied.
- Mounting ring supplied with all round units (427TP and 424TP).

### Dimensions

- Height: 6 3/4"
- Ceiling opening: 5 1/2"



**427TP  
424TP**  
PREWIRED  
THERMALLY  
PROTECTED

Shower Lights

RECESSED LIGHTING

## OPAL GLASS

407TP



407TP

Opal Glass (for use with Standard Thermally Protected frame in kit only)

427TP

Opal Glass (for use with Rewired Thermally Protected frame in kit only)

## FRESNEL LENS

404TP



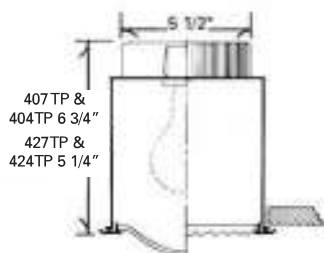
404TP

Fresnel Lens (for use with Standard Thermally Protected frame in kit only)

424TP

Fresnel Lens (for use with Rewired Thermally Protected frame in kit only)

## DIMENSIONS



**Hight Hats - Normal Trim**

**DESCRIPTION**



**R30TP  
R40TP  
STANDARD  
THERMALLY  
PROTECTED**

High Hats -  
Normal Trim

RECESSED LIGHTING

**Standard Features**

- R30TP: 65W BR30, 75W R30
- R40TP: 120W BR40, 150W BR40
- Thermally protected frame in kits meet all current U.L. and N.E.C. code requirements.
- Normal trim finish: Satin Aluminum standard. Sprayed white available.
- One piece drawn aluminum housing.
- Units with MK27 mounting kits are supplied with 27" mounting bars.
- Flexible ground wire is supplied.
- Mounting ring supplied with all units.
- Old work mounting clips are supplied with all standard units.

**Optional Accessories**

- Units are available suitable for damp location. Add DL (not available on heat lights.).
- 18" and 27" rigid bars are available for all units.
- All units available with adjustable mounting kit and 27" bars for suspended ceilings). Add MK27.



**R309TP  
R409TP  
PREWIRED  
THERMALLY  
PROTECTED**

High Hats -  
Normal Trim

RECESSED LIGHTING

**DESCRIPTION**

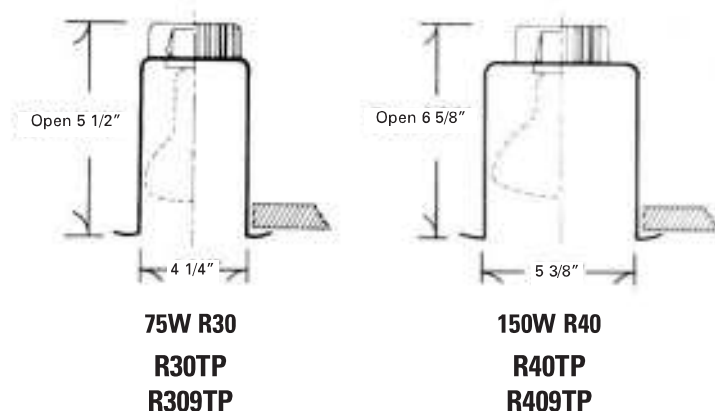
**Standard Features**

- R309TP: 65W BR30, 75W R30
- R409TP: 120W BR40, 150W R40
- Thermally protected frame in kits meet all current U.L. and N.E.C. code requirements.
- Normal trim finish: Satin Aluminum standard. Sprayed white available.
- One piece drawn aluminum housing.
- Rewired units are UL listed for through circuit wiring (not available on 75 watt units)
- Units with MK27 mounting kits are supplied with 27" mounting bars.
- Flexible ground wire is supplied.
- Mounting ring supplied with all units.

**Optional Accessories**

- Units are available suitable for damp location. Add DL (not available on heat lights.).
- 18" and 27" rigid bars are available for all units.
- All units available with adjustable mounting kit and 27" bars for suspended ceilings). Add MK27.

**DIMENSIONS**



DESCRIPTION

Standard Features

- P988TP - for use with up to 100W A19 lamps;
- P9111TP - for use with up to 150W A21 lamps.
- Thermally protected units meet all current U.L. and N.E.C. code requirements.
- All Units are fully gasketed.
- Trim Finish: White (W)
- Prewired units are UL listed for thru-circuit wiring.
- Flexible ground wire is supplied.
- One piece double thickness frame.
- High efficiency reflector.

Listings

- UL Damp Location
- UL Feed Through
- IP Rated

Dimensions

- 5 1/2" height allows use in 2" x 6" joist construction.
- Housing adjusts for ceilings up to 1" thick.
- Ceiling opening:  
P988TP - 8 1/2" x 8 1/2" nominal  
P9111TP - 10 1/2" x 10 1/2" nominal
- Housing:  
P988TP - 9" x 12 1/2"  
P9111TP - 13 1/4" x 14"



P988TP



P9111TP

P988TP  
P9111TP

NON-IC HOUSING

Squares

RECESSED LIGHTING

Standard Features

- P988TP - for use with up to 100W A19 lamps
- P9111TP - for use with up to 150W A21 lamps.
- Thermally protected units meet all current U.L. and N.E.C. code requirements.
- All Units are fully gasketed.
- Trim Finish: White (W)
- Prewired units are UL listed for thru-circuit wiring.
- Flexible ground wire is supplied.
- One piece double thickness frame.
- High efficiency reflector.

Listings

- UL Damp Location
- UL Feed Through
- IP Rated

Dimensions

- 5 1/2" height allows use in 2" x 6" joist construction.
- Housing adjusts for ceilings up to 1" thick.
- Ceiling opening:  
P988TP - 8 1/2" x 8 1/2" nominal  
P9111TP - 10 1/2" x 10 1/2" nominal
- Housing:  
P988TP - 9" x 12 1/2"  
P9111TP - 13 1/4" x 14"

FLAT GLASS

F28W

8 1/2" Square Frame and Flat Glass

Diffuser, White.

For use with P988TP (100W).

For complete units order:

988-2WTP (Non-IC, 100W)

DROP GLASS

F48W

8 1/2" Square Frame and Drop Glass

Diffuser, White.

For use with P988TP (100W) .

For complete units order:

988-4WTP (Non-IC, 100W)

FLAT GLASS

F211W

10 1/2" Square Frame and Flat Glass

Diffuser, White.

For use with P9111TP (150W).

For complete units order:

9111-2WTP (Non-IC, 150W)

DROP GLASS

F411W

10 1/2" Square Frame and Drop Glass

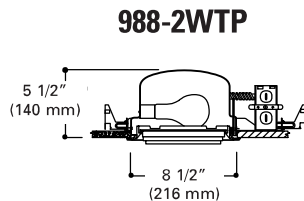
Diffuser, White.

For use with P9111TP (150W) .

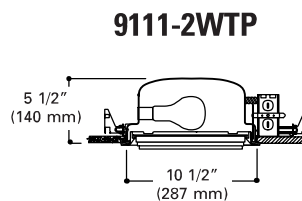
For complete units order:

9111-4WTP (Non-IC, 150W)

DIMENSIONS



100W Square



150W Square

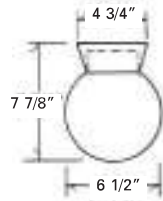
### DIMENSIONS

#### Standard Features

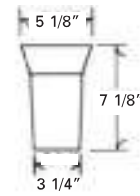
- All units supplied with opal diffusers.
- Cast aluminum housings.
- Finish: Satin Aluminum
- Glass or Polycarbonate Cylinders.
- Mounting hardware supplied.
- Units fully gasketed.
- Surface wired brackets supplied with 3 1/2" IPS threaded holes and two aluminum closure plugs.
- All units supplied suitable for damp locations.

#### Optional Accessories

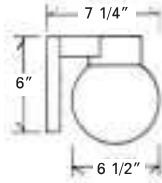
- Wireguard available for wall and surface cylinders only. Use Cat No. 85.



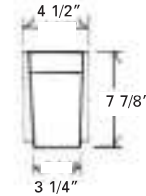
**Ceiling Mounted Ball**



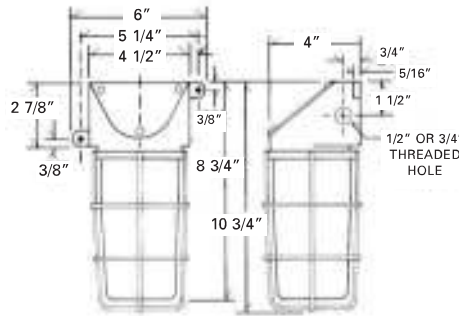
**Ceiling Mounted Cylinder**



**Wall Mounted Ball**




**Wall Mounted Cylinder**




**Surface Cylinders - Wired Bracket**

#### WALL MOUNTED

	<b>35080</b>	<b>35080</b>	60W Cylinder-Polycarbonate
		<b>350</b>	100W Cylinder-Glass
		<b>361</b>	100W Ball-Glass

#### CEILING MOUNTED

	<b>300</b>	<b>300</b>	60W Cylinder-Glass
		<b>30080</b>	60W Cylinder-Polycarbonate
		<b>301</b>	60W Ball-Glass

#### SURFACE WIRED BRACKET

	<b>3180</b>	<b>3180</b>	60W Polycarbonate
		<b>3183</b>	100W Glass

# Recessed Linear Fluorescent & Step Lights

**ATLITE®**

## DESCRIPTION

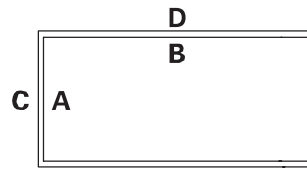
### Standard Features

- 2 Light 17W-T8, 2 Light 32W-T8, 4 Light 17W-T8, 4 Light 32W-T8
- All units supplied with class P commercial electronic ballast.
- Fully gasketed to prevent light leakage.
- Housing of 20 Ga. welded steel construction.
- EM = Emergency Battery Pack Available

### Finishes

White (W), All units

## DIMENSIONS



A&B = Box Dimensions  
C&D = Frame Dimensions

## Dimensions

T8		Box Size		Frame Size		Depth
		A	B	C	D	
5217	2 Light 17W	7"	25"	8 1/4"	26 1/2"	4
5232	2 Light 32W	7 1/2"	48"	9 1/8"	50 1/4"	4
5417	4 Light 17W	11 1/4"	25 1/4"	12 3/8"	26 1/4"	4
5432	4 Light 32W	11 3/4"	48 1/2"	13 1/4"	50 1/4"	4

## T8 - Electronic Ballast

5217	2 Light 17W	F017
5417	4 Light 17W	F017
5232	2 Light 32W	F032
5432	4 Light 32W	F032



**5217**  
**5232**  
**5417**  
**5432**

**PRISMATIC**  
**PLASTIC LENS**

**Recessed Linear**  
**Fluorescent**

**RECESSED LIGHTING**

## DESCRIPTION

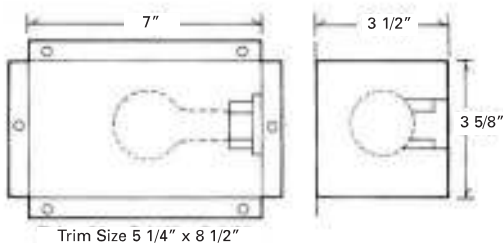
### Standard Features

- Cat. No. 38 and 39 are supplied with torsion spring frames.
- Finishing trims are not gasketed.

### Finishes

Cast Aluminum, Cat. No. 37 only  
White (W), Cat. No. 38 and 39 only  
Stainless (SS), Cat. No. 38 and 39 only


## DIMENSIONS



**STEP LIGHTS**

**RECESSED LIGHTING**

## STEP LIGHTS

	<b>37</b>	Cast Aluminum Louvered, 25W A Lamp
	<b>38W</b> <b>38W-PL9</b> <b>38SS</b> <b>38W-PL9PF</b> <b>38SS-PL9</b> <b>38SS-PL9PF</b>	Glass Faced, White, 25W A Lamp Glass Faced, White, 9W PL Compact Fluorescent Lamp Glass Faced, Stainless, 25W A Lamp Glass Faced, White, 9W PL Compact Fluorescent Lamp, High Power Factor Glass Faced, Stainless, 9W PL Compact Fluorescent Lamp Glass Faced, Stainless, 9W PL Compact Fluorescent Lamp, High Power Factor
	<b>39W</b> <b>39SS</b>	Steel Louvered, White, 25W A Lamp Stainless Louvered, 25W A Lamp

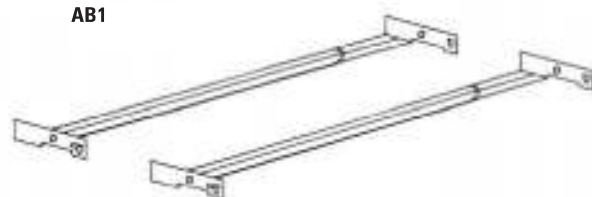
**Rigid mounting bars**

Cat. No. RMB18 - 18" length  
 Cat. No. RMB27 - 27" length  
 18" and 27" lengths available.  
 may be used with all units supplied with mounting rings.



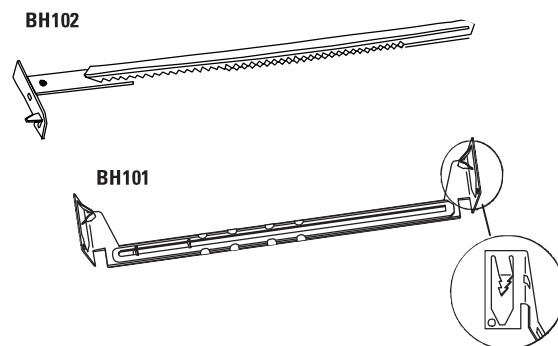
**Adjustable mounting bars**

Cat. No. AB1.  
 May be used with all units supplied with mounting rings.  
 Adjustable from 14" to 27".  
 Built in nailing tab and height gauge.



Cat. No. BH101  
 Bar Hanger replacement kit. Set of four pieces.  
 For replacing mounting bars on the following housings:  
 Z1ICAT, Z1-75, Z1, L1, W1, W12, WIC2, P988TP, P988ICAT,  
 P9111TP, P9111ICAT, WICAT2, WICAT2NB, WICAT24, W12ICAT,  
 WICAT5, CW3ICAT, CW318-ICAT, CW326-ICAT, CF5ICAT, W3

Cat. No. BH102  
 Bar Hanger replacement kit. Set of four pieces.  
 For replacing mounting bars on the following housings:  
 CH213/CH228/CH218/CH226 Series

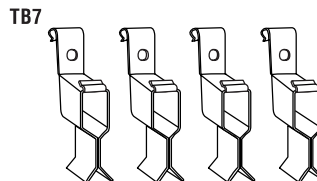


**Attachment Clips**

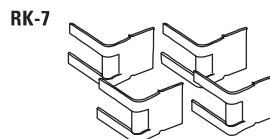
Cat. No. M3B  
 Old work clips (OWC)  
 For use with all units supplied with "T" shaped mounting slots.  
 Packaged 3 to a bag.



Cat. No. TB7  
 T-Bar Attachment clips  
 For use with BH101 and BH102.  
 Set of four. (Order one set per fixture.)



Cat. No. RK-7  
 Hold down clips for non-remodel  
 fixtures when hanger bars are not  
 used. Set of four.



PRODUCT NO.	PAGE NO.	PRODUCT NO.	PAGE NO.	PRODUCT NO.	PAGE NO.
404TP	111	A149WB	95, 96, 109, 110	A207S	109, 110
407TP	111	A149WB-21	95, 96, 109, 110	CH800W	104, 105
424TP	111	A149WB-31	95, 96, 109, 110	CH801W	104, 105
427TP	111	A150	109, 110	CH803W	104, 105
A110	109, 110	A150WB	109, 110	CH804	104, 105
A120	109, 110	A152	94, 107	CH804W	104, 105
A133	109, 110	A152-21	94, 107	CH810BA	104, 105
A133-21	109, 110	A152-31	94, 107	CH810C	104, 105
A133-31	109, 110	A153	94, 107	CH810G	104, 105
A133WB	93	A153-12	94, 107	CH810WB	104, 105
A133WB-21	93	A153-21	94, 107	CG810WW	104, 105
A133WB-31	93	A153-22	94, 107	CT-170	106
A134	93	A153-31	94, 107	CT-180	106
A134-21	93	A153-32	94, 107	CT-340	106
A134-31	93	A153AW	94, 107	CT-341	106
A135	93	A154	94, 107	CT-490	106
A135-12	93	A154-13	94, 107	CT-491	106
A135-21	93	A154-21	94, 107	CT-570	106
A135-22	93	A154-23	94, 107	CT-580	106
A135-31	93	A154-31	94, 107	CW405	78
A135-32	93	A154-33	94, 107	CW405G	78
A135AW	93	A156	95, 96, 109, 110	CW406	77, 78
A136	93	A156-21	95, 96, 109, 110	CW406C	77
A136-12	93	A156-31	95, 96, 109, 110	CW406G	77
A136-21	93	A157	95, 96, 109, 110	CW406WB	77, 78
A136-23	93	A157-12	95, 96, 109, 110	CWS701	77, 78
A136-31	93	A157-21	95, 96, 109, 110	F211W	79, 113
A136-33	93	A157-22	95, 96, 109, 110	F28W	79, 113
A142	109, 110	A157-23	95	F411W	79, 113
A143	109, 110	A157-31	95, 96, 109, 110	F48W	79, 113
A148	94, 107	A157-32	95, 96, 109, 110	L133	69, 85
A148-21	94, 107	A157-33	95	L133WB	69, 85
A148-31	94, 107	A157AW	95, 96, 109, 110	L199	69
A148WB	94, 107	A158	95, 96, 109, 110	L33	69, 85
A148WB-21	94, 107	A158-13	95, 96, 109, 110	L33WB	69, 85
A148WB-31	94, 107	A158-21	95, 96, 109, 110	L35	69, 85
A149	95, 96, 109, 110	A158-23	96, 109, 110	L36	69, 85
A149-21	95, 96, 109, 110	158-31	96, 109, 110	L45	69, 85
A149-31	95, 96, 109, 110	158-33	96, 109, 110	L451SNS	69, 85

# INDEX

PRODUCT NO.	PAGE NO.	PRODUCT NO.	PAGE NO.	PRODUCT NO.	PAGE NO.
L451WS	69, 85	W712	72, 74, 75	Z236	67, 68, 81, 83
L453SN	69, 85	W713	72, 74, 75	Z301W	81
L490	85	W713WB	72, 74, 75	Z33	81
L490SN	85	W714	72, 75	Z33PB	81
L492	85	W714WB	72, 75	Z33PC	81
L492SN	85	W71W	87, 90, 92	Z33WB	81
L493	69, 85	W721	72, 73, 74	Z35	81
L493SN	69, 85	W72W	87, 91, 92	Z35PB	81
L495	69, 85	W74W	87, 91	Z35PC	81
L495BL	69, 85	W76W	87, 89, 92	Z36	81
L495RS	69, 85	W85	87, 89	Z36PB	81
L496	69, 85	W85WB	87, 89	Z39	81
L496PB	69, 85	WS10	87, 91	Z419	67, 68, 81, 83
L496BC	69, 85	WS11	87, 91	Z419SN	67, 68, 81, 83
L496SN	69, 85	WS12	87, 91	Z420	67, 68, 81, 83
L498	69, 85	WS20	87, 91	Z420SN	67, 68, 81, 83
L498SN	69, 85	WS21	87, 91	Z421SN	67, 68, 81, 83
L499	69, 85	WS22	87, 91	Z451WS	67, 68, 81
L499SN	69, 85	WS52	87, 89, 91	Z451SNS	67, 68, 81
W45	87	WS53	87, 89, 91	Z453SN	67, 68, 82, 83
W45WB	87	WS54	87, 89, 91	Z45B	81
W48	87, 89, 91, 92	WS551	70, 76	Z45C	81
W48WB	87, 89, 91, 92	WS610	89	Z45W	81
W49	87, 81	WS611	89	Z45WB	81
W49WB	87, 81	WS612	89	Z493SN	67, 68, 82, 83
W50	77, 87, 81	WS672W	89	Z495	67, 68, 82, 83
W50WB	77, 87, 81	WS71W	87, 91	Z495SN	67, 68, 82, 83
W513	70, 76	WS72W	87, 91	Z496	67, 68, 69, 82, 83
W513WB	70, 76	Z133	67, 68, 81	Z496PB	67, 68, 69, 82, 83
W520	70	Z133WB	67, 68, 81	Z496SN	67, 68, 81, 82
W570	70	Z135	67, 68, 81	Z498	67, 68, 82, 83
W68W	87, 91, 92	Z136	67, 68, 81	Z498SN	67, 68, 82, 83
W704	72, 73, 74, 75	Z145	67, 68, 81	Z50	81
W705	72, 73, 74, 75	Z152	67, 68, 81	Z52	81
W707	72, 74, 75	Z207	81	Z85B	81
W707WB	72, 74, 75	Z233	67, 68, 81, 83	Z85C	81
W710	72, 74, 75	Z233PB	67, 68, 81, 83	Z85W	81
W710G	72, 74, 75	Z233WB	67, 68, 81, 83	Z85WB	81
W711	72, 74, 75	Z235	67, 68, 81, 83	Z945	67, 68, 82, 83



PRODUCT NO.	PAGE NO.	PRODUCT NO.	PAGE NO.	PRODUCT NO.	PAGE NO.
37	115	A9	110	WIC2	88
38	115	A92	110	WICAT2	71
39	115	AB1	116	WICAT2NB	73
300	114	BH101	116	WICAT2U	74
301	114	BH102	116	WICAT5	70
350	114	CF5ICAT	76	WR1	86
361	114	CH213	104	WR12	91
3180	114	CH213HP	104	WR3	90
3183	114	CH218	105	WRIC2	88
5217	115	CH218E	105	WRICAT2	71
5220	115	CH218HP277	105	WRICAT5	70
5232	115	CH226E	105	Z1	80
5240	115	CH226HP	105	Z2	80
5417	115	CH226HP277	105	Z1-75	83
5420	115	CH228HP	104	Z1ICAT	67
5432	115	CH228HP277	104	Z1ICAT2	68
5440	115	CW318-ICAT	77	ZR1	80
30080	114	CW326-ICAT	77		
35080	114	CW3ICAT	78		
38PL9W	115	L1	84		
404TP	111	L1ICAT	69		
407TP	111	LR1	84		
424TP	111	M3B	116		
427TP	111	P9111ICAT	79		
A12TP	94	P9111TP	113		
A1TP	94	P988ICAT	79		
A22TP	93	P988TP	113		
A2TP	93	R309TP	112		
A32TP	96, 97, 98, 99, 100, 101, 102	R30TP	112		
A32TPDL	103	R409TP	112		
A3TP	95, 98, 100, 101, 102	R40TP	112		
A3TPDL	103	RMB18	116		
A5TP	97, 99	RMB27	116		
A6	107	RK-7	116		
A62	107	TB7	116		
A7	108	W1	86		
A72	108	W12	91		
A8	109	W12ICAT	75		
A82	109	W3	90		

# Notes





## AtLite®

100 Andrews Road  
Hicksville, NY 11801-1704  
1-800-209-6357  
Fax: 1-800-382-1391

### CUSTOMER FIRST CENTER

1121 Highway 74 South  
Peachtree City, Georgia 30269  
770.486.4800  
Fax: 770.486.4801

### Domestic Facilities, USA

Cranbury, New Jersey  
Elk Grove Village, Illinois  
Irving, Texas  
Ontario, California  
Peachtree City, Georgia

### International Sales, USA

Peachtree City, Georgia

### CANADA

Cooper Lighting  
5925 McLaughlin Road  
Mississauga, Ontario L5R 1B8  
905.507.4000  
Fax: 905.586.7049

### Domestic Facilities, Canada

Calgary, Alberta  
Chomedey, Laval P.Q.

Cooper Lighting, Inc.  
All rights reserved  
Printed in USA

Dimensions and specifications are subject to  
change without notice.

### The Cooper Lighting Family

Halo  
Cooper Lighting - Metalux  
Cooper Lighting - Lumark  
Cooper Lighting - Sure-Lites  
Neo-Ray  
Corelite  
Portfolio  
Iris  
Shaper  
Lumière  
Invue  
McGraw-Edison  
Fail-Safe  
Atlite  
MWS  
DLS  
RSA  
Ametrix

